

## Features

- RZ/G2H ARM Quad A57 @ 1.5GHz & Quad A53 @ 1.2GHz & Cortex R7 @ 800MHz
- HDMI & LVDS Dual Video with Touch Controller
- 2D/3D GPU & 4K Video Encoder/Decoder
- GIG Ethernet, USB 3.0 & USB 2.0 ports
- PCIe, SATA & SDIO Ports
- 4x Serial Ports, A/D, SPI, I2C, I2S, PWM & CAN
- Camera Image Processing Unit (IPU)
- MIPI CSI-2 Camera Serial Port

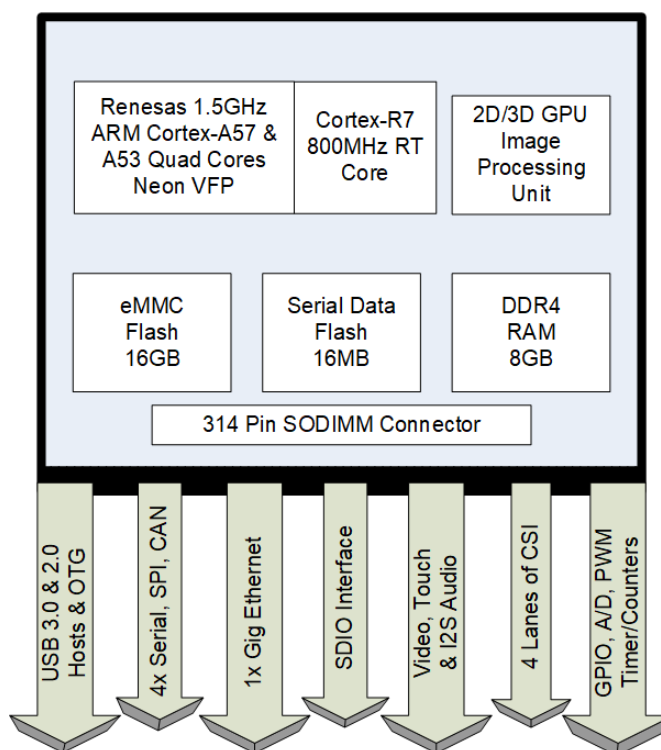


## Specifications

Processor	Renesas RZ/G2H 64-bit ARM Quad Core Cortex A57 @ 1.5 GHz & Quad A53 @ 1.2GHz with additional Cortex R7 800MHz Core
Memory	up to 8GB LPDDR4 RAM up to 32GB of eMMC Flash & 16MB of Serial Data Flash 1x SATA Port (shared with PCIe)
I/O	16x GPIO Lines 2x I2S Ports 2x I2C Ports 2x CAN Ports 1x 1000 BaseT Ethernet 1x 4-Wire Resistive Touch Controller (TSC2003) 4x 12-bit A/D Channels 2x PCIe Ports (1 of which is shared with SATA) 2x SDIO ports 4x Serial Ports with RTS/CTS handshake 1x USB 3.0 Super Speed Host Port 1x USB 2.0 High-Speed Host Port 1x USB 2.0 High-Speed OTG Port 1x SMBus/I2C PMIC 2x Timer/Counters, 3x PWMs
Video	2x MIPI CSI-2 Serial Video Capture Port with Video Signal Processor 1x LVDS 18-bit Video with 4-wire resistive touchscreen controller 1x HDMI Video with I2C
Audio	Analog I/O: 4-wire Resistive Touch Screen Interface, 2x A/D 12-Bit Channels
Dimensions	314 pin SODIMM 3.23" x 2.363" (82mm x 60mm)
Power Req.	5V Input Voltage, Power Req.: 5Vdc, Current Consumption TBD
Environment	Temperature Range: -40 to +85C



## SoM-RZG2H System on Module (SoM)



## Ordering Information

Product #	CPU	Memory	Serial	GPIO	USB	Video	LAN	Temperature
SOM-RZG2H-149	RZ/G2H Quad-Cores Cortex-A57 & A53 800MHz R7 (RT)	4GB DDR4 RAM 16GB eMMC Flash	4x	16x	1x SS Host 1x HS Host 1x OTG	1x HDMI & LVDS with touch & CSI	1x 1000 BaseT	-40 to +85°C
SOM-RZG2N-189	RZ/G2N Dual-Core Cortex-A57 1.5GHz 800MHz R7 (RT)	8GB DDR4 RAM 16GB eMMC Flash	4x	16x	1x SS Host 1x HS Host 1x OTG	1x HDMI & LVDS with touch & CSI	1x 1000 BaseT	-40 to +85°C

## Optional Accessories

PRODUCT #	DESCRIPTION
PER-FAN-0013PR	Heat Spreader option for the SoM-RZG2H
PER-FAN-0013AR	Heat Sink option for additional cooling (requires Heat Spreader option)

## Carrier Board Options

PRODUCT #	DESCRIPTION
SOM-350ES-000	Standard Carrier Board SoM 314-Pin with 7" LCD 800x480 WVGA
SOM-350ES-017	Deluxe Carrier Board SoM 314-pin with 7" LCD 800x480 WVGA & Wi-Fi
SOM-350ES-011	Deluxe Carrier Board 314-pin with 10" LCD 1024x600 WSVGA & Wi-Fi

