

# ***iPac-9x25***

## **User Manual**

**Revision 1.3**

**For use with Rev. 1.0 or greater iPac-9x25.**

Copyright 2015  
EMAC, Inc.

**EMAC, inc.**  
EQUIPMENT MONITOR AND CONTROL  
2390 EMAC Way, Carbondale, IL 62902  
World Wide Web: <http://www.emacinc.com>  
(618) 529-4525 FAX: (618) 457-0110

# Table of Contents

1. Introduction .....	2
1.1 Features.....	2
1.2 On-Board Options .....	2
1.3 Other Options.....	2
2. Hardware.....	3
2.1 Specifications.....	3
2.2 Jumpers.....	3
2.2.1 JB1 and JB2.....	3
2.2.2 JB3.....	4
2.2.3 JB4.....	4
2.2.4 JB5.....	4
2.2.5 JB7.....	5
2.3 Status LEDs.....	5
2.4 PB1: Button.....	5
2.5 HDR2: JTAG.....	5
2.6 HDR7: Processor-Based General-Purpose Digital I/O.....	6
2.7 HDR1: General Purpose Digital I/O.....	7
2.7.1 SPI GPIO Expansion ICs.....	8
2.8 HDR5: Analog Channels & PWMs.....	8
2.9 CN1: RS232 SERIAL UART3.....	9
2.10 HDR4: RS232/422/485 SERIAL UART0.....	9
2.11 HDR8: RS232 Serial (UTXD0/URXD0).....	11
2.12 HDR1: RS232 Debug Serial UART.....	11
2.13 HDR3: CAN Bus.....	11
2.14 CN2: Alternate Power Connector.....	12
2.15 JK3: Ethernet.....	12
2.16 JK1: Dual USB Host.....	12
2.17 JK2: USB Host/Device.....	13
2.18 HDR9: USB Host Bulkhead Connector.....	13
2.19 SOK1: MMC/SD Flash Card Socket.....	13
2.20 Real-Time Clock.....	13
2.21 Serial Flash.....	13
3. Software.....	<b>Error! Bookmark not defined.</b>
3.1 Eclipse.....	<b>Error! Bookmark not defined.</b>
3.1.1 Eclipse CDT plug-in.....	<b>Error! Bookmark not defined.</b>
3.2 Das U-Boot.....	<b>Error! Bookmark not defined.</b>
3.3 Embedded Linux.....	<b>Error! Bookmark not defined.</b>
3.3.1 Linux 3.x Source Repository.....	<b>Error! Bookmark not defined.</b>
3.4 Open Embedded.....	<b>Error! Bookmark not defined.</b>
3.5 ARM EABI Cross Compiler.....	<b>Error! Bookmark not defined.</b>
4. Dimensional Drawings.....	17
4.1 iPac-9x25 Header Locations.....	17
4.2 iPac-9x25 Board Dimensions.....	18

# 1. Introduction

This document describes EMAC's iPac-9x25 Single Board Computer (SBC) module. The iPac-9x25 is a PC/104 SBC sized module that provides a wide variety of I/O. Controlled by Atmel's powerful SAM9x25 processor this module provides maximum flexibility with ample processing speed for most control applications. Although being extremely powerful with ample I/O for demanding applications, this board consumes minimal power, is low cost, and has a small footprint. The iPac-9x25 uses the Standard PC/104 form factor (3.8" x 3.5") allowing the use of standard PC/104 mounting hardware and enclosures. Note: while the iPac-9x25 uses the PC/104 physical format it does not provide a PC/104 bus and therefore will not work with most PC/104 peripheral modules. The features of the iPac-9x25 are as follows:

## 1.1 Features

- **CPU:** Atmel AT91SAM9x25 ARM926EJ-S 400 MHz Processor with 133 MHz System Bus and JTAG debugger capability.
  - **MEMORY:** 16MB serial Flash, 128MB DDR2 RAM and 4GB eMMC.
  - **DIGITAL I/O:** 20, General Purpose SAM9x25 Digital I/O lines, 16 SPI I/O Expander Based Digital I/O lines, and 8 High Drive Digital Outputs.
  - **PWM:** Up to 4, 16-bit PWMs.
  - **ANALOG INPUTS:** Up to 7 channels of 10 bit A/D 0 – 2.5 volts.
  - **COMMUNICATION:** 1, RS232 port with full handshaking, 1 RS232/422/485 port, 2 RS232 ports with TX and RX only, and 1 CAN Bus.
  - **ETHERNET:** 2, 10/100 BaseT Ethernet with RJ45.
  - **USB:** 2 USB 2.0 High-Speed Host Port, 1 USB 2.0 Full-Speed Host Port and 1 USB 2.0 High-Speed Host/Device Port.
  - **TIME:** Battery-Backed Real-Time Clock/Calendar.
  - **FLASH DISK:** MMC/uSD Flash Disk socket.
  - **RESET:** External Reset Button provision.
  - **INTERFACES:** SAM9x25 SPI, I2C and I2S.
- 
- **FORM FACTOR:** PC/104 Module with Dimensions of 96 mm x 90 mm (3.77" x 3.54").

## 1.2 On-Board Options

- **MEMORY:** Up to 16GB of eMMC Flash.
- **SOFTWARE:** Linux, Windows CE (TBD).

## 1.3 Other Options

- **PCD-39E00 Terminal Board:** Screw Terminal Board allows for easy access to the iPac-9x25 I/O. Up to two Screw Terminal Boards can be stacked onto a single iPac-9x25.

## 2. Hardware

### 2.1 Specifications

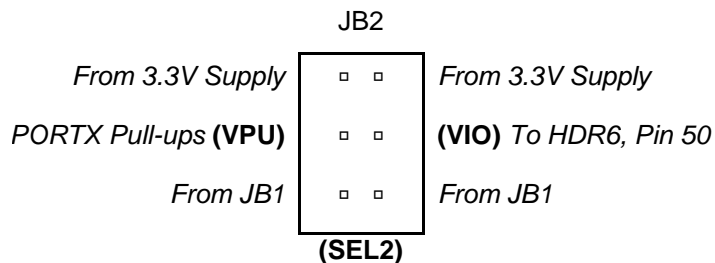
- **VOLTAGE REQUIREMENTS:** 5 volt regulated +/- 5% DC board input voltage.
- **CURRENT REQUIREMENTS:** (@ 5 Volts with no USB devices connected)
  - 295 ma. during boot
  - 200 ma. idle without Ethernet enabled
  - 235 ma. idle with Ethernet enabled
  - APM Sleep (TBD)
- **OPERATING TEMPERATURE:** -40 to 85 degrees Centigrade, humidity range without condensation 0% to 90% RH.
- **DIGITAL I/O:** 20 programmable, SAM9x25 based, General Purpose TTL level I/O lines that can be configured as inputs or outputs. When configured as inputs a 3.3 volt high input voltage is to be used and when configured as outputs, they have a sink/source drive capability of 8 mA. The 16 SPI I/O Expander based digital I/O lines have a sink/source drive capability of 25 mA. The 8 open collector High-Drive Digital outputs with 500 mA. sink drive capability have a maximum total I/O drive of 1500 mA for these 8 lines. All Digital I/O lines terminate to standard 50 pin, I/O Rack compatible header connectors.
- **ANALOG INPUTS:** 7 analog inputs are multiplexed into a 10-bit A/D converter with Sample & Hold and a conversion time of 2.2 uS. An additional settling time may be required when switching between channels. The analog input voltage range for each channel is 0 – 2.5 Volts.

### 2.2 Jumpers

This section describes the Jumpers and Jumper Blocks of the iPac-9x25.

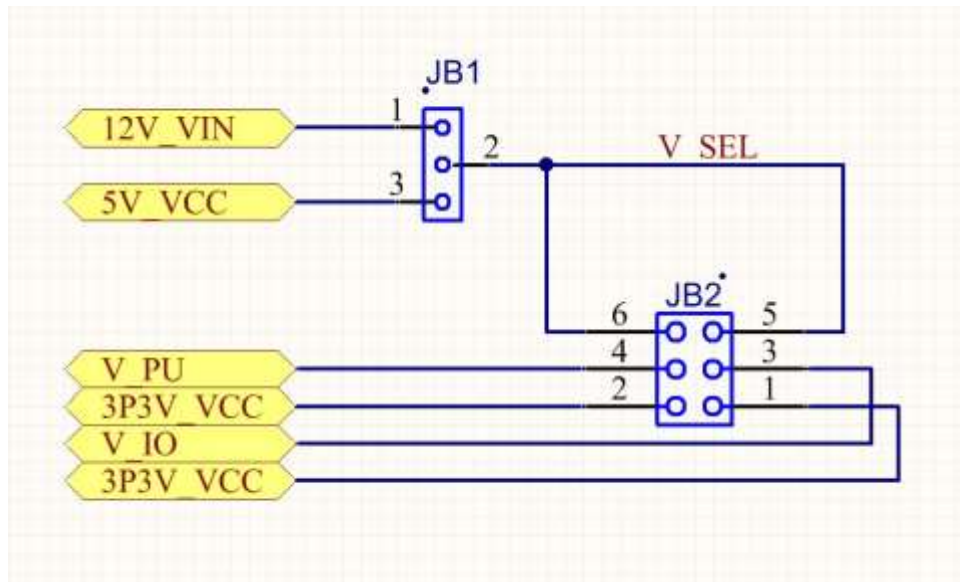
#### 2.2.1 JB1 and JB2

**Pull-up Voltage.** I/O Header (HDR6, pin 50) Voltage Selection & High Drive Pull-up Selection Jumper. See schematic below for the jumper block pin numbers.



JB2 controls the pull-up voltage of the open collector High Drive Output lines and determines what voltage is present on pin 50 of HDR6. One side of the jumper (VIO) controls pin 50 and the other side (VPU) controls the pull-up voltage of Port X. Leaving the VIO shunt off leaves pin 50 open and leaving the VPU shunt off sets the High Drive Outputs to no pull-up voltage (open collector). The voltage at the SEL2 pins is defined by JB1. The

default position for the jumpers on JB2 are 1 & 3 and 2 & 4. The default jumper position sets the open collector output pull ups of Port X and the output voltage on Pin 50 of HDR6 to 3.3V. Note pin1 of JB1 (Vin) is fed from pin 4 (Vin) of the power connector CN2. While The Vin power input is typically fed by 12Vdc it can also be fed higher voltages in order to offer Port X compatibility with higher voltage systems such as 24V.



### 2.2.2 JB3

**RTC Backup** RTC and Calendar battery Backup

Jumper	1	&	2	Battery Backup Off (Default)
Jumper	2	&	3	Battery Backup On

### 2.2.3 JB4

**Boot Select.** Disables Serial Flash and Enables Boot From Internal ROM

Jumper	1	&	2	Serial Flash Disable (SFD)
Jumper	2	&	3	Serial Flash Enable (SFE) (Default)

### 2.2.4 JB5

**RS4XX Termination** Selects a Parallel 120 Ohm Termination Resistor on RX Pair.

Jumper	1	&	2	Termination Present (TRM)
--------	---	---	---	---------------------------

Jumper 2 & 3 Not Terminated (OPN) (Default)

## 2.2.5 JB7

**ADC Reference Voltage** Selects Either 2.5V or 3.3V as the ADC Reference Voltage

Jumper 1 & 2 3.3V Reference (3.3V)

Jumper 2 & 3 2.5V Reference (2.5V) (Default)

## 2.3 Status LEDs

**LD1-8** High drive open collector output indicator LEDs.

**LD9** Power indicator LED. Indicates that on-board 3.3v regulator is functioning.

**LD10** General Purpose Green Status LED controlled by processor GPIO (PD20) pin. This is a user programmable LED.

## 2.4 PB1: Button

**PB1** Right Angle Processor Reset button.

## 2.5 HDR2: JTAG

This multipurpose header (HDR2) provides JTAG debugging interface directly to the Processor. HDR2's pinout is a derivation of the standard 10 pin JTAG header with the added pins (6 & 8) used for a SAM-ICE in circuit emulator. A special cable is required to connect the SAM-ICE to HDR2. Note: be careful to check for pin-out compatibility with your JTAG device.

**Table 1: JTAG & BDM Interface (HDR2)**

Pin	Signal	Pin	Signal
1	JTAG TCK	2	GND
3	JTAG TDO	4	3.3V
5	JTAG TMS	6	RESET#
7	RTCK	8	JTAG NTRST
9	JTAG TDI	10	GND

## 2.6 HDR7: Processor-Based General-Purpose Digital I/O

These GPIO lines are for the most part exactly that, general purpose. Of these lines, 20 are connected directly to the processor (so use caution when interfacing to these lines). The names of each line listed in Table 2 matches the port line on the SAM9x25 processor. Each can be configured as input or output with/without internal pull-ups through software. Many of these lines have alternate multiplexed functionality that can be utilized by configuring the processor in software and connecting to the appropriate lines.

When using these processor lines as outputs these lines can drive 5 mA and when used as inputs the input voltage should not exceed 3.3 Vdc or go below ground. .

**Table 2: PROCESSOR BASED DIGITAL I/O Connector (HDR7)**

Pin	Signal	Pin	Signal
1	GND	2	PD0
3	GND	4	PD1
5	GND	6	PD2
7	GND	8	PD3
9	GND	10	PD4
11	GND	12	PD5
13	GND	14	PD6
15	GND	16	PD7
17	GND	18	PD8
19	GND	20	PD9
21	GND	22	PD10
23	GND	24	PD11
25	GND	26	PD12
27	GND	28	PD13
29	GND	30	PD14
31	GND	32	PD15
33	GND	34	PD16
35	GND	36	PD17
37	GND	38	PD18
39	GND	40	PD19
41	GND	42	+3.3V
43	GND	44	+3.3V
45	GND	46	+3.3V
47	GND	48	+3.3V
49	GND	50	+5V

## 2.7 HDR6: General Purpose Digital I/O

These input and output lines provide connections for heavier industrial relays and switches. They are connected to the SPI I/O Expander chip on the iPac. There are 24 port lines in all and are broken up into three 8 bit ports (X, Y, & Z). Port Y and Z can be programmed as input or output ports and X is an open collector output port.

When using Port Y and Z as inputs, the input voltage should not exceed 3.3 Vdc or go below ground and as such define a high as any voltage above 1.65 volts (half of the 3.3V Vdd). When used as an Output Port, Y and Z port lines can drive up to 25 mA loads.

The high-drive output port PX0 – PX7 has an open-collector output driver chip (ULN2803) with 500 mA sink drive capability per line and a maximum total package current of 1500 mA. The open-collector output lines can provide a high level voltage through the use of the pull-up resistors selectable by Jumper JB1. The fly-back diodes in the ULN2803 will be tied to the same voltage selected by JB1.

**Table 3: EXTENDED DIGITAL I/O Connector (HDR6)**

Pin	Signal	Pin	Signal
1	GND	2	PY1
3	GND	4	PY2
5	GND	6	PY3
7	GND	8	PY4
9	GND	10	PY5
11	GND	12	PY6
13	GND	14	PY7
15	GND	16	PY8
17	GND	18	PX1
19	GND	20	PX2
21	GND	22	PX3
23	GND	24	PX4
25	GND	26	PX5
27	GND	28	PX6
29	GND	30	PX7
31	GND	32	PX8
33	GND	34	PZ1
35	GND	36	PZ2
37	GND	38	PZ3
39	GND	40	PZ4
41	GND	42	PZ5
43	GND	44	PZ6
45	GND	46	PZ7
47	GND	48	PZ8
49	GND	50	(see JB1 options)



## 2.7.1 SPI GPIO Expansion ICs

All of the general purpose digital I/O on HDR6 is derived from 3 SPI GPIO expansion ICs (MCP23S08). Each of the three 8-bit ports are controlled by a GPIO expansion IC. All share a common chip select, SPI0\_CS1, and are assigned a unique address for each specific IC. For specific data regarding the GPIO expansion ICs please refer to Microchips datasheet for the device.

**Table 4: GPIO Port SPI Addresses**

Port	Address
PX	0x00
PY	0x02
PZ	0x01

## 2.8 HDR5: Analog Channels & PWMs

The SAM9x25 processor on the iPac-9x25 has a 10 bit, 12 channel A/D module which provides lines AD0 – AD6. These lines can accept signals in the range of 0 to 2.5 Volts. The iPac-9x25 has an internal 2.5v reference for the A/D voltage reference. The internal regulator can be disabled by writing a 1 to PD21 in order to reduce power consumption.

In addition to the A/D, the iPac-9x25 provides 4 PWM channels which drive at 3.3V. PWM channels 2 and 3 are shared with the A/D inputs AD2 and AD3. Each of the 4 PWM channels has its own 16-bit counter with the ability to select from 13 different clock signals.

In addition to the A/D and PWMs on HDR5, there are a number of processor specific I/O lines such as SPI, I2S, I2C, and GPIO. The SPI has two chip select lines available.

**Table 4: MISCELANIOUS I/O (HDR5)**

Pin	Signal	Pin	Signal
1	AD0 / PWM0 / PB11	2	AD1 / PWM1 / PB12
3	AD2 / PWM2 / PB13	4	AD3 / PWM3 / PB14
5	AD4 / PB15	6	AD5 / PB16
7	AD6 / PB17	8	PWM0 / PC10
9	I2C0_CLK / SPI1_CS2# / PA31	10	PWM1 / PC11
11	I2C0_DAT / SPI1_CS3# / PA30	12	SPI1_SPCK / PA23
13	SPI1_MOSI / PA22	14	SPI1_MISO / PA21
15	3.3 Vdc	16	3.3 Vdc
17	GND	18	GND
19	SSC_TF / PA25	20	SSC_RK / PA28
21	GND	22	GND
23	3.3 Vdc	24	3.3 Vdc
25	SSC_TK / PA21	26	SSC_RD / PA27
27	GND	28	GND
29	SSC_TD / PA26	30	SSC_RF / PA29
31	3.3 Vdc	32	3.3 Vdc
33	I2C1_DAT / PC0	34	I2C1_CLK / PC1
35	RST_OUT#	36	RST_IN#
37	GND	38	GND

39	5V_VCC	40	5V_VCC
----	--------	----	--------

## 2.9 CN1: RS232 SERIAL UART3

The iPac-9x25 provides one dedicated RS232 UART3 serial port which has software configurable baud rates. Both transmission and asynchronous data reception are possible. Handshake Lines are implemented by the use of the processors GPIO lines (with the exception of CTS & RTS which are true handshake lines) and thus software is required to utilize these lines as handshake lines. Serial UART 3 is connected to a DB-9 male pin connector on the iPac-9x25.

**Table 5: RS232 UART3 (CN1)**

Pin	Signal
1	DCD
2	RXD
3	TXD
4	DTR
5	GND
6	DSR
7	RTS
8	CTS
9	RI
10	NC

## 2.10 HDR4: RS232/422/485 SERIAL UART0

The iPac-9x25 provides one software selectable RS232/422/485 UART which has software configurable baud rates. Both transmission and asynchronous data reception are possible. RS232 Handshake Lines (CTS & RTS) are provided by the processor's UART0. Hardware logic is provided to prevent the RS422/485 TX driver from being enabled at the same time as the RS232 driver.

**Table 6: RS232/422/485 UART0 (HDR4)**

Pin	Signal
1	RS422/485 TX-
2	NC
3	RS232 RXD or 422/485 TX+
4	RS232 RTS
5	RS232 TXD or 422/485 RX+
6	RS232 CTS
7	RS422/485 RX-
8	NC
9	GND
10	NC

Table 6.1 below shows the control logic to select between RS232/RS422/RS485. The function of the serial port is controlled by processor port lines PC17, PA4, and PC26.

**Table 6.1: RS232/422/485 Software Configuration**

Transmitter/Receiver Configuration	Processor Port PC17	Processor Port PA4	Processor Port PC26
off	1	0	0
RS232	1	0	1
RS422	1	1	0
RS485	0	1	0

## 2.11 HDR8: RS232 Serial (UTXD0/URXD0)

The iPac-9x25 provides two RS232 serial UARTs that supply TX and RX signals only. UART0 is terminated to a 10 pin header for easy access.

**Table 7: RS232 COM 2 (HDR8)**

Pin	Signal
1	NC
2	NC
3	RS232 RXD
4	NC
5	RS232 TXD
6	NC
7	NC
8	NC
9	GND
10	NC

## 2.12 HDR1: RS232 Debug Serial UART

The iPac-9x25 provides two RS232 serial UARTs that supply TX and RX signals only. The debug UART is terminated to a 10 pin header for easy access.

**Table 8: RS232 Debug (HDR1)**

Pin	Signal
1	NC
2	NC
3	RS232 RXD
4	NC
5	RS232 TXD
6	NC
7	NC
8	NC
9	GND
10	NC

## 2.13 HDR3: CAN Bus

The iPac-9x25 provides a CAN bus interface through a 3 pin header HDR3. The on-processor CAN controller provides all the features required to implement the serial communication protocol CAN. CAN1 of the processor is used for the external CAN interface. The CAN can achieve bit rates up to 1 Mbits/s and complies with CAN 2.0 Part A and 2.0 Part B.

**Table 9: CAN Bus (HDR3)**

Pin	Description
1	CANH
2	CANL

3	GND
---	-----

## 2.14 CN2: Alternate Power Connector

The iPac-9x25 provides a keyed locking alternate power connector that lends itself more to industrial applications. Pin #4 of HDR4 is referred to as Vin. This pin is routed exclusively to JB1 pin #1 as a jumper option. The Vin power input can handle up to 24V for interfacing the iPac-9x25 with industrial equipment. There is also a standard barrel type power jack (JK4, 2.1mm x 5.5mm x 9.5mm, Center Positive) that can be used to provide 5 volt regulated power.

**Table 10: ALTERNATE POWER CONNECTOR (CN2)**

Pin	Description
1	+5 Volt Regulated
2	GND
3	GND
4	Vin*

\* This pin is routed exclusively to JB1 pin #1 as a jumper option.

## 2.15 JK3: Ethernet

The iPac-9x25 comes equipped with two 10/100 BaseT Ethernet port terminated to a standard RJ45 jack. The iPac-9x25 can be connected directly (point to point) to a PC with the use of a crossover Ethernet cable. To connect the iPac-9x25 to a switch or a hub, use a standard Ethernet cable.

The Ethernet MAC is provided internally within the processor. The PHY is external to the processor and is implemented using a Micrel KSZ8041 PHY chip. The PHY is a relatively power hungry chip and as such the 50MHz oscillator can be powered down via PC12 in order to conserve power. Shutting off the oscillator will disable both Ethernet PHYs.

## 2.16 JK1: Dual USB Host

The iPac-9x25 provides two USB 2.0 Hi-Speed (480 Mb/Sec) Host ports. The High Speed ports are also capable of Full-Speed operation and are backwards compatible with USB 1.1 devices. USB devices (printer, mouse, keyboard, camera, etc.) and hubs can be connected to the USB Host in the USB tiered-star topology.

The specification for standard USB states that each USB port be capable of providing 5 volts at 500 ma. This provision is strictly dependent on the power supply used with the iPac. Obviously the power supply must be able to source 5 volts at 1 amp for the USB requirement in addition to the other power requirements of the board. A 500 mA polyfuse protects each USB port from over-current damage. There is no provision to turn off power to the USB host ports.

## 2.17 JK2: USB Host/Device

The iPac-9x25 provides one High-Speed USB 2.0 Host/Device port. When using the iPac as a device the iPac must be powered independently as it cannot use the USB Device Port for power. When the High-Speed host port is utilized the USB bus power can be switched on by writing a 1 to PC13. The USB bus power and current protection are supplied by a MIC2506YM power management IC. The over current signal is supplied to the processor through PB8. The USB bus power is off by default so in order to use the Host function the USB power will need to be enabled.

## 2.18 HDR9: USB Host Bulkhead Connector

The iPac-9x25 provides an additional Full-Speed USB host port and access to one of the High-Speed host ports provided through JK2. The USB bulkhead connector allows a Full-Speed port and shares the High-Speed port that is routed to the top USB port of JK2 to be available via a 10 pin header. Both USB ports provided through the bulkhead connector are capable of sourcing up to 500mA of current at 5V and are protected from over current by a resettable polyfuse.

**Table 11: USB BULKHEAD CONNECTOR (HDR9)**

Pin	Description
1	FS Host VBUS
2	HS Host VBUS
3	FS Host Data-
4	HS Host Data-
5	FS Host Data+
6	HS Host Data+
7	GND
8	GND
9	Not Connected
10	Key

## 2.19 SOK1: MMC/SD Flash Card Socket

The iPac-9x25 provides standard Micro SD type socket, which accepts uSD cards. This Socket is connected to a USB to MMC Bridge controller USB266i.

## 2.20 Real-Time Clock

The iPac-9x25 processor is equipped with an internal, ultra low power Real-Time Clock (RTC). The SAM9x25 processor provides an internal RTC and a 200 year Gregorian calendar with programmable periodic interrupt. This RTC is battery backed by on-board battery B1. JB3 provides the ability to disconnect the battery from the RTC.

## 2.21 Serial Flash

Also equipped on some models is 16MB Bytes of SPI based Serial Flash. The Serial Flash is usually used to store the boot loader and/or operating system. The iPac-9x25 can also be configured to boot from the eMMC or Micro SD card. By default the iPac-9x25 is configured to boot from the serial flash. This can be controlled with JB4 to force the processor to use its internal boot ROM or enter the serial downloader mode. See the section describing JB4 for further details.

## 2.22 Watch Dog Timer

The iPac-9x25 is equipped with an external watch dog timer (MAX6747) that provides a time out of approximately 1.4 seconds. The watch dog timer is disabled by default and can be enabled by writing PC7 low. The watch dog timer is then pulsed by using PC6.

## 3. Software

The iPac-9x25 offers a wide variety of software support from both open source and proprietary sources. The hardware core utilizes the AT91SAM9x25, which is supported by Linux.

For more information on Linux Software Support, please visit the EMAC Wiki Software Section at:

[http://wiki.emacinc.com/wiki/product\\_wiki](http://wiki.emacinc.com/wiki/product_wiki)

### 3.1 Das U-Boot

EMAC utilizes Das U-Boot for its ARM based products. U-Boot is an open source/cross-architecture platform independent boot loader. It supports reading and writing to the flash, auto-booting, environmental variables, and TFTP. Das U-boot can be used to upload and run and/or re-flash the OS or to run stand-alone programs without an OS. Products are shipped with a valid MAC address installed in flash in the protected U-boot environmental variable "ethaddr". At boot time U-Boot automatically stores this address in a register within the MAC, which effectively provides it to any OS loaded after that point.

### 3.2 Embedded Linux

EMAC Open Embedded Linux is an open source Linux distribution for use in embedded systems. The EMAC OE Linux Build is based on the Open Embedded ([www.openembedded.org](http://www.openembedded.org)) Linux build system. Open Embedded is a superior Linux distribution for embedded systems. Custom Linux builds are also available on request.

The distribution contains everything a user could expect from a standard Linux kernel: powerful networking features, advanced file system support, security, debugging utilities, and countless other features.

The basic root file system includes:

- Busybox
- Hotplugging support
- APM utilities for power management
- Openssh SSH server
- lighttpd HTTP server
- JFFS2 or EXT4 file system with utilities

#### 3.2.1 Linux with Xenomai Real Time Extensions

Xenomai provides real time extensions to the kernel and can be used to schedule tasks with hard deadlines and  $\mu$ s latencies. The Xenomai build is an additional module that can be added to the standard Linux kernel and is available for a one-time inexpensive support/installation fee.

<http://www.xenomai.org/>

### **3.2.2 Linux Packages**

EMAC provides support for many Linux Packages such as: PHP, SQLite, Perl, SNMP, DHCP Server, etc. As with the Xenomai Package, other Packages can be added to the standard Linux file system and are available for a one-time inexpensive support/installation fee.

### **3.2.3 Linux Patches**

In addition to standard Embedded Linux support, EMAC has released a number of patches and device drivers from the open source community and from internal EMAC engineering into its standard distribution. Along with kernel patches, EMAC provides the binaries for the kernel and root file system.

### **3.3 Qt Creator**

Qt Creator is a cross-platform IDE (Integrated Development Environment) tailored to the needs of Qt developers but works well for Headless applications as well. EMAC provides sample code as projects that can be imported into Qt Creator. Qt Creator supports remote deployment and source debugging.

<https://qt-project.org/wiki/Category:Tools::QtCreator>

### **3.4 ARM EABI Cross Compiler**

The popular open source gcc compiler has a stable build for the ARM family. EMAC uses the 4.9.1 version of the ARM EABI compiler. The Embedded Linux kernel and EMAC Qt Creator projects use this compiler for building ARM stand alone, and OS specific binaries. The EMAC Qt Creator provides source level debugging over Ethernet or serial using gdbserver. The Linux binaries for the ARM EABI cross compiler are available online along with the SDK. See the EMAC wiki for further information.

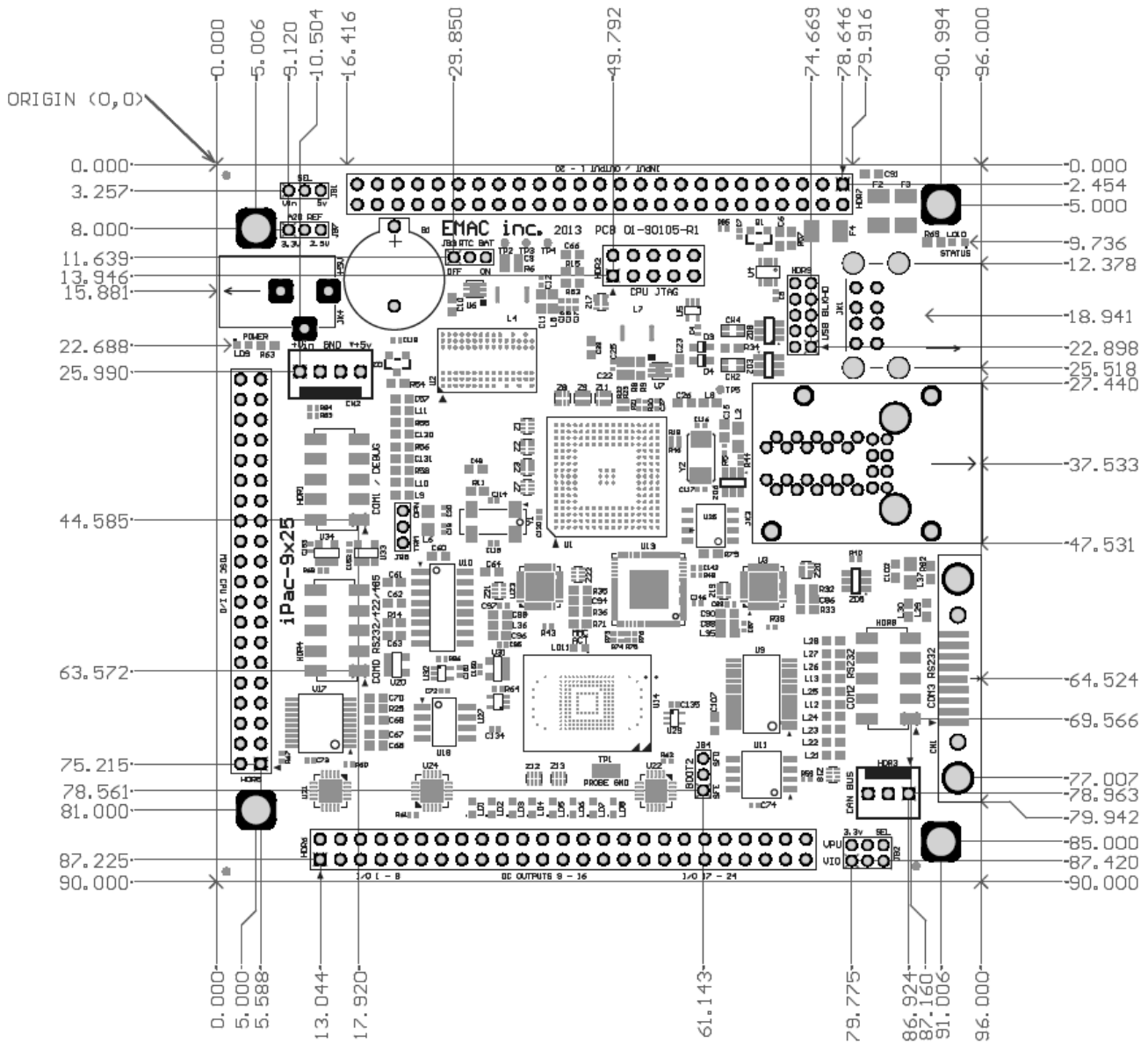




# 4. Dimensional Drawings

## 4.1 iPac-9x25 Header Locations

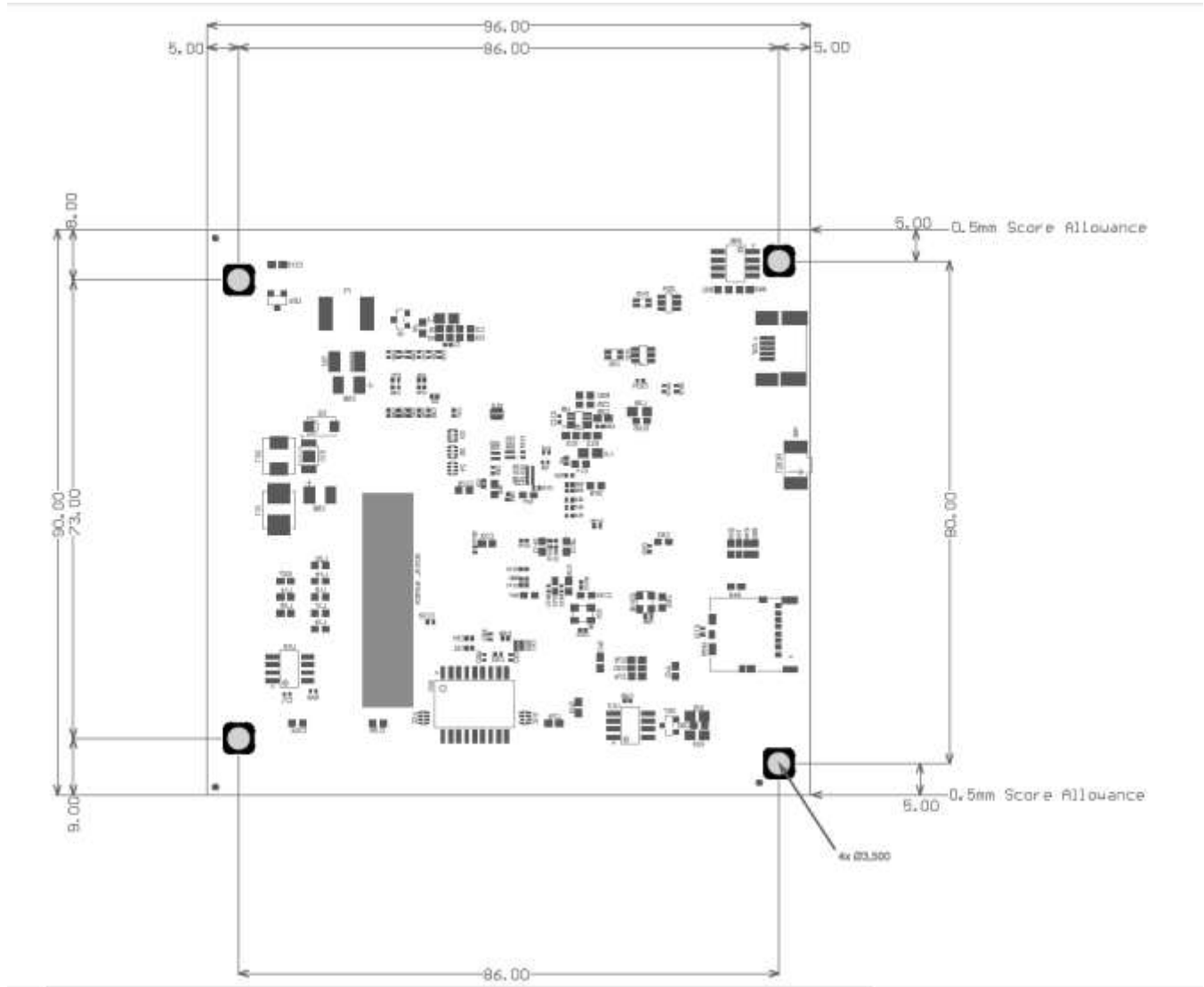
Drawing 1: Top Side Component Placement



\*All units are shown in millimeters

## 4.2 iPac-9x25 Board Dimensions

Drawing 2: Bottom Side and Board Dimensions



\*All units are shown in millimeters