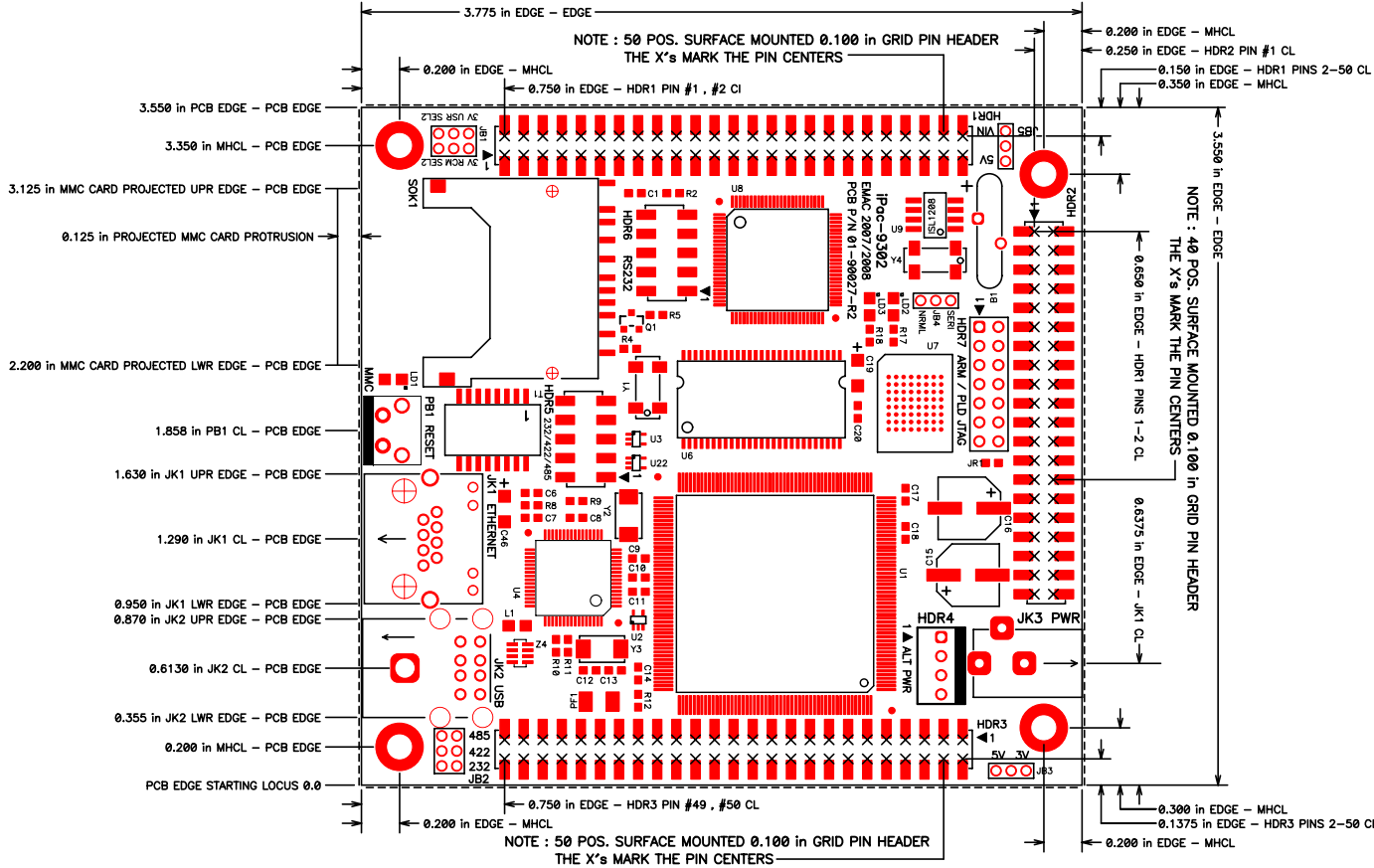


TWO PRINT JOBS REQUIRED.
 DIMEN1 AND DIMEN2
 DIMEN1 TABULATES PCB PERIMETER AND COASTLINE CONNECTORS
 DIMEN2 TABULATES INBOARD CONNECTORS
 NOTE : NON-DIMENSIONED PARTS ARE SUBJECT TO CHANGE POSITIONS & TYPES.

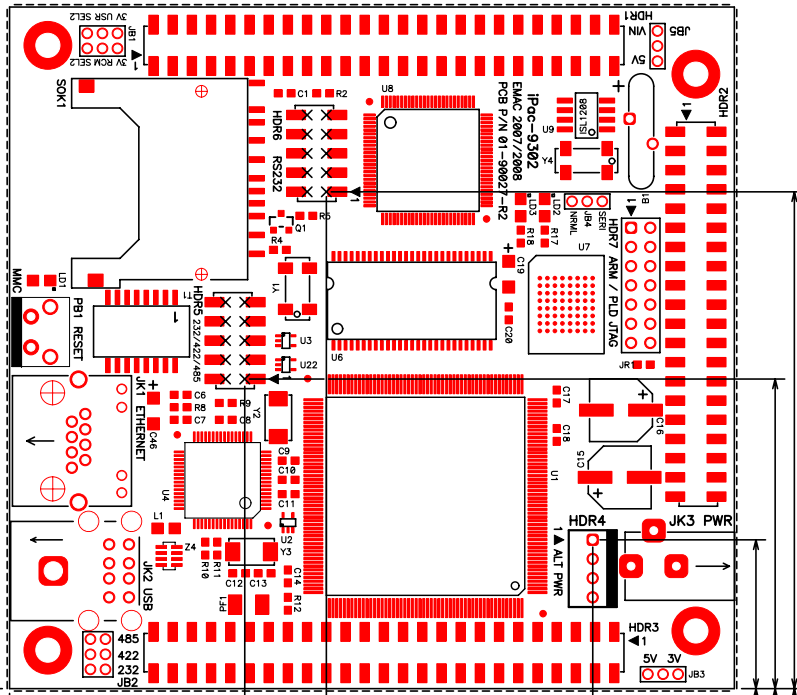


NOTES :

- PCB MAY HAVE FUZZY EDGE EXTENSIONS UP TO 12.5 mils OVER LISTED IDEAL DIMENSIONS DUE TO SCORE LINE BREAKAWAY. AFFECTED EDGES WILL DEPEND UPON WHICH POSITION IN THE PANELIZATION ARRAY THE PCB HAD DURING ASSEMBLY.
- ELEVATIONS NOT SHOWN.
- TRACKS AND SOME COMPONENTS NOT SHOWN FOR CLARITY.
- PCB SUBSTRATE 0.062 in THICK. TALLEST BOTTOM SIDE COMPONENT 0.200 in OR LESS.
- TALLEST TOP SIDE COMPONENT IS JK2 , AT SLIGHTLY UNDER 0.625 in TALL.
- THUS , TOTAL PCB THICKNESS ALLOTMENT SHOULD BE 0.9 INCHES MINIMUM.
- THIS DOES NOT INCLUDE ADDITIONAL CONSIDERATIONS SUCH AS VENTILATION , CONNECTOR ACCESS, ETC.

Title iPAC-9302 SBC DIMENSIONAL		
Size A	Number FOR 01-90027-R2 PCB	Rev 2.00.00
Date 10/27/08	Drawn by SPIKE	
Filename Dimensional_iPAC-9302_R2.01.00.pcb		

TWO PRINT JOBS REQUIRED.
 DIMEN1 AND DIMEN2
 DIMEN1 TABULATES PCB PERIMETER AND COASTLINE CONNECTORS
 DIMEN2 TABULATES INBOARD CONNECTORS
 NOTE : NON-DIMENSIONED PARTS ARE SUBJECT TO CHANGE POSITIONS & TYPES.



PCB EDGE STARTING LOCUS 0.0
 1.225 in. HDR5 PIN#1 - STARTING LOCUS 0.0
 1.650 in. HDR6 PIN#1 - STARTING LOCUS 0.0
 3.038 in. HDR4 PIN#1 - STARTING LOCUS 0.0

2.588 in. HDR6 PIN#1 - STARTING LOCUS 0
 1.613 in. HDR5 PIN#1 - STARTING LOCUS 0
 0.775 in. HDR4 PIN#1 - STARTING LOCUS 0

HEADER POSITIONS LOCATED IN THIS LAYER ARE DIMENSIONED IN INCH UNITS , 0.100 in. GRID

Title iPAC-9302 SBC DIMENSIONAL		
Size A	Number FOR 01-90027-R2 PCB	Rev 2.00.00
Date 10/27/08	Drawn by SPIKE	
Filename Dimensional_iPAC-9302_R2.01.00.pcb		