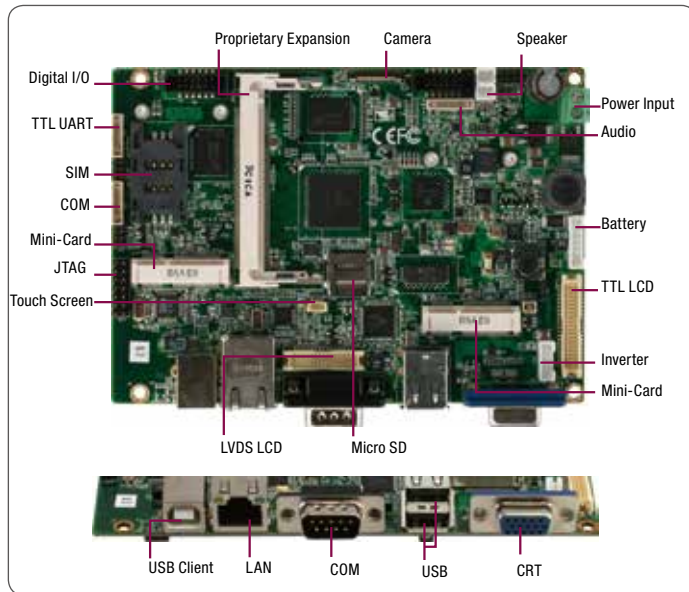


# GENE-1350

RISC CPU Board With TI OMAP™ 3503/3530 Processor



## Features

- TI OMAP™ 3503/3530 Processor
- 3D Graphics & Video Accelerator Support with 3530 Processor
- Onboard 128/256 MB (Optional) LP DDR RAM
- 10/100Base-TX Ethernet
- CRT/ 24-bit TTL LCD/ 18-bit LVDS LCD
- 2CH Audio
- Onboard NAND Flash, SD, MicroSD
- USB2.0 Host x 2, USB2.0 Client x 1, COM x 2, 8-bit Digital I/O
- Mini-Card x 2, Proprietary Expansion Slot x 1
- Onboard 4-wire Resistive Touch Screen Controller
- +9V To +24V DC Input
- Onboard Battery Charger
- Windows® CE 6.0/ Linux 2.6.32/ Android 2.2
- Less Than 3 Watt Power Consumption
- Operating Temperature: W2: -40°C ~ 80°C, W1: -20°C ~ 70°C

## Specifications

System	
Form Factor	3.5"
Processor	TI OMAP™ 3503/3530 600 MHz
System Memory	Onboard 128/256 MB (Optional) LP DDR RAM
Ethernet	Davicom DM9000AEP, 10/100Base-TX, RJ-45 x 1
Boot Loader	Microsoft Windows® CE 6.0 or Linux - Kernel 2.6.32
Watchdog Timer	Generate a time-out system reset
Expansion Interface	Mini-Card (with USB interface only) x 2, Proprietary Expansion Slot x 1
Battery	Lithium battery
Battery Charger	Linear tech LTC4100
Power Requirement	+9V to +24V DC
Power Consumption (Typical)	TI OMAP™ 3530, 128/256 MB LP DDR, 0.24A@+12V
Board Size	5.75"(L) x 4"(W) (146mm x 101.6mm)
Gross Weight	0.88 lb (0.4 kg)
Operating Temperature	32°F ~ 158°F (0°C ~ 70°C) -4°F ~ 158°F (-20°C ~ 70°C) for WiTAS 1 -40°F ~ 176°F (-40°C ~ 80°C) for WiTAS 2
Storage Temperature	-40°F ~ 176°F (-40°C ~ 80°C)
Operating Humidity	0% ~ 90% relative humidity, non-condensing
MTBF (Hours)	100,000
Display	
Chipset	TI OMAP™ 3
Resolutions	Up to 1280 x 768 for LCD Up to 1024 x 768 for CRT
LCD Interface	Up to 18-bit single channel TTL/LVDS LCD
I/O	
Storage	256 MB NAND Flash, SD, MicroSD
Serial Port	RS-232 x 1, RS-232/422/485 (auto flow) x 1, TTL UART x 1
Universal Serial Bus	USB2.0 Host x 2, USB2.0 Client x 1
Digital I/O	Supports 8-bit (Programmable)
Audio	Line-in, Line-out, Mic-in, Speaker-out (1W Amplifier)
Touch Screen	Supports 4-wire resistive touch screen
Keypad Interface	Supports 6 x 6 matrix keypad
Motion Sensor	ST LIS35DE



## Board Packing List

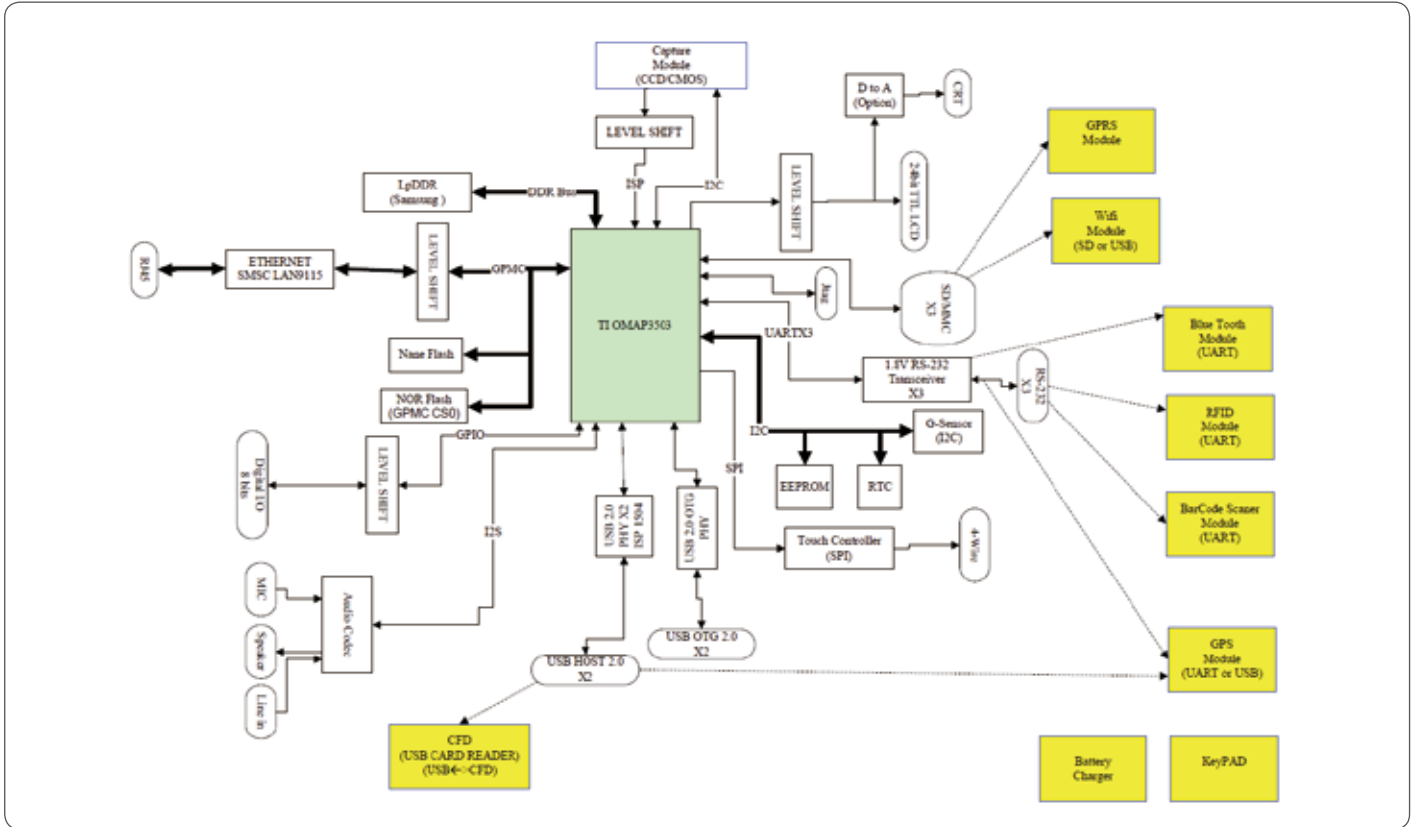
- 965766600  
Jumper Cap
- Product CD
- GENE-1350

## Optional Accessories

- 1701090150  
COM Port Cable, Length 15cm
- 1702002010  
Big 4P Power Input Cable, Length 10cm
- 1709100254  
Audio Cable, Length 25cm
- 1700050207  
USB Cable, Length 20cm

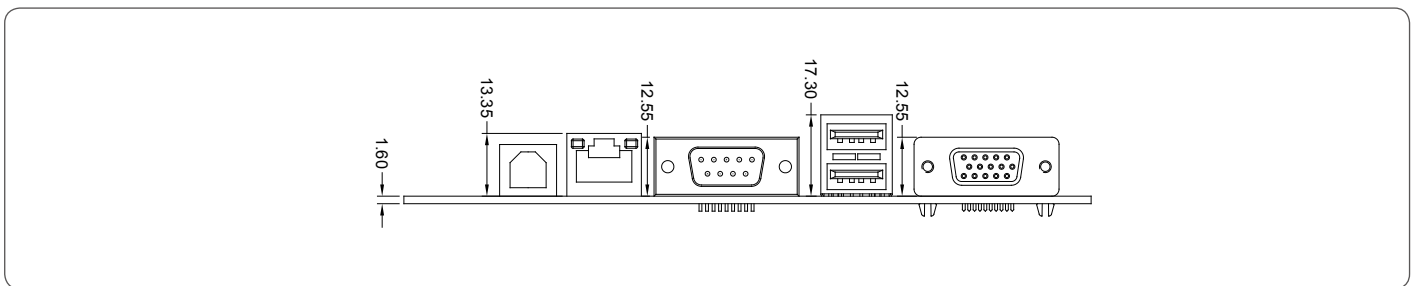
# GENE-1350

## Block Diagram



## Dimension

Unit: mm



## Board Ordering Information

Part Number	CPU	Memory	Storage	OS	Display	LVDS	LAN	USB2.0	COM	Touch	Expansion Slot	Power	Temp
TF-GENE-1350-A10	TI OMAP™ 3530 600 MHz	128 MB	256 MB	WinCE 6.0	TTL, LVDS, CRT	18-bit Single Channel	FE x 1	USB Host x 2, USB OTG x 1	TTL UART x 1, RS-232/422/485 x 1, RS-232 x 1	4-wire resistive	Mini-Card x 2, SIM slot x 1, Proprietary Expansion slot x 1	9V-24V	0°C - 70°C
TF-GENE-1350W1-A10	TI OMAP™ 3530 600 MHz	128 MB	256 MB	WinCE 6.0	TTL, LVDS, CRT	18-bit Single Channel	FE x 1	USB Host x 2, USB OTG x 1	TTL UART x 1, RS-232/422/485 x 1, RS-232 x 1	4-wire resistive	Mini-Card x 2, SIM slot x 1, Proprietary Expansion slot x 1	9V-24V	WITAS 1 -20°C - 70°C