

Features

- NuvoTon Dual 800MHz ARM 64-bit Cortex A35
- Additional 180Mhz Cortex M4 Processor
- 4/16GB of eMMC Flash & 512MB of DDR3 RAM
- 24-bit LCD Controller with Resistive Touch
- 4x MIPI CSI Lanes
- Dual Ethernet, 4 Serial Ports
- 2x USB 2.0 & 1x USB2.0 OTG
- 2x SDIO ports
- A/D, SPI, I2C, I2S & CAN

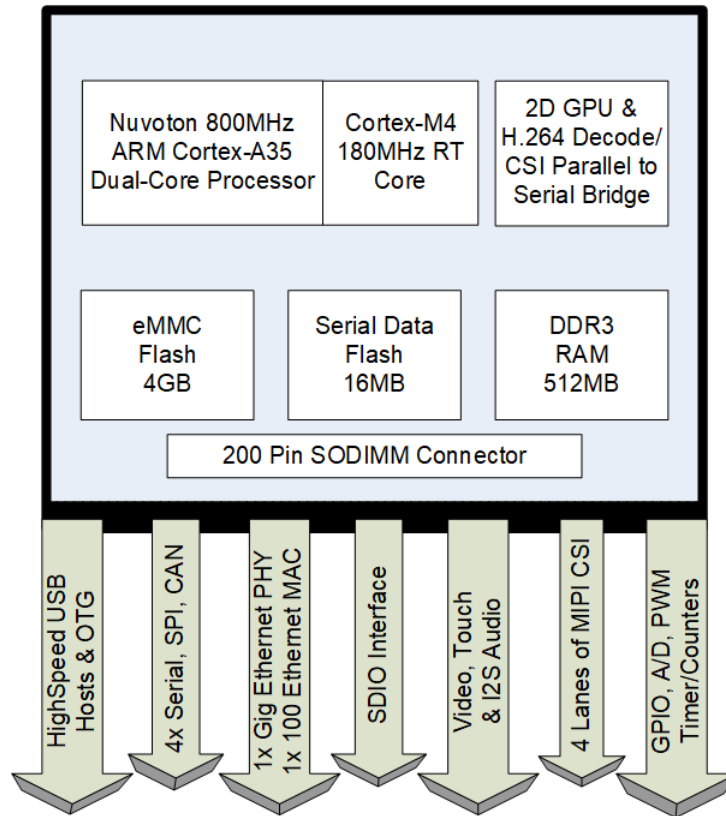


Specifications

Processor	NuvoTon MA35D1 Dual 800MHz 64-bit ARM Cortex A35 180MHz Cortex M4 Processor
Memory	4 GB of eMMC Flash (16GB Optional) 16MB of Serial Data Flash 512MB of DDR3L RAM
IO	14x GPIO at 3.3V 2x SDIO SD ports 2x CAN Ports 2x I2C Ports 2x SPI Ports 2x USB 2.0 Host Ports 1x USB 2.0 OTG 4x Serial Ports 1x 10/100/1000 BaseT Ethernet port with PHY 1x 10/100 BaseT MAC Internal Real Time Clock/Calendar (with external battery backup) 1x Timer/Counter (if OTG port is not used) 2x Programmable Clock outputs External Reset Button provision and green Status (software controlled) LED
Analog	4x channels of 12-bit A/D 4x wire Resistive Touch Controller
Video	24-bit LCD Controller (1080P @ 60 FPS with 2D GPU & H.264 decoder) 4x Lanes of MIPI CSI Camera Interface
Dimensions	Small Standard 200 pin SODIMM form factor (2.66" x 2.375")
Power Req.	+3.3 volt board input voltage required
Environment	Temperature Range: -40 to +85°C *SoM-35D1F-212 (-30 to 85°C)



SoM-35D1F System on Module (SoM)



Ordering Information

Product #	CPU	Memory	Serial	GPIO	USB	Video	LAN	CSI	Temperature
SoM-35D1F-122	Nuvoton MA35D1	512MB RAM 4GB eMMC flash	4x	14x	3x	24 bit LVDS	2x	N/A	-40 to 85°C
SoM-35D1F-212	Nuvoton MA35D1	512MB RAM 4GB eMMC flash	4x	14x	3x	24 bit LVDS	2x	4x CSI Lanes	-30 to 85°C
SoM-35D1F-202 *MOQ 50	Nuvoton MA35D1	512MB RAM 4GB eMMC flash	4x	14x	2x	24 bit LVDS	2x	N/A	-40 to 85°C

Carrier Board Options

PRODUCT #	DESCRIPTION
SOM-255GS-000	Standard Carrier with Dual Ethernet, Audio, Wi-Fi/Bluetooth & 7" LCD
SOM-255GS-001	Deluxe Carrier with Dual Ethernet, Audio, Wi-Fi/Bluetooth & 10" LCD
SOM-255GS-007	Carrier with Dual Ethernet, Audio, No Wi-Fi/Bluetooth or LCD

