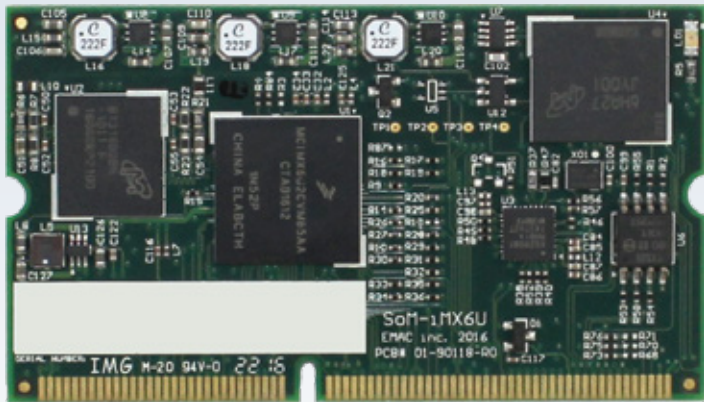


SoM-iMX6U

Embedded System on Module (SoM)



Features

- APM Sleep Mode of 3.5mA
- Freescale/NXP i.MX6 UltraLite (MCIMX6G1)
- Cortex A7 528MHz Processor Speed
- 128MB LP DDR2 RAM
- 4GB eMMC Flash, 16MB Serial Data Flash
- 10/100 Ethernet SPI, I2C, I2S & CAN
- 22x GPIO, 2x USB, 5x Serial Ports, 1x SDIO
- Industrial Temperature -40° to + 85° C

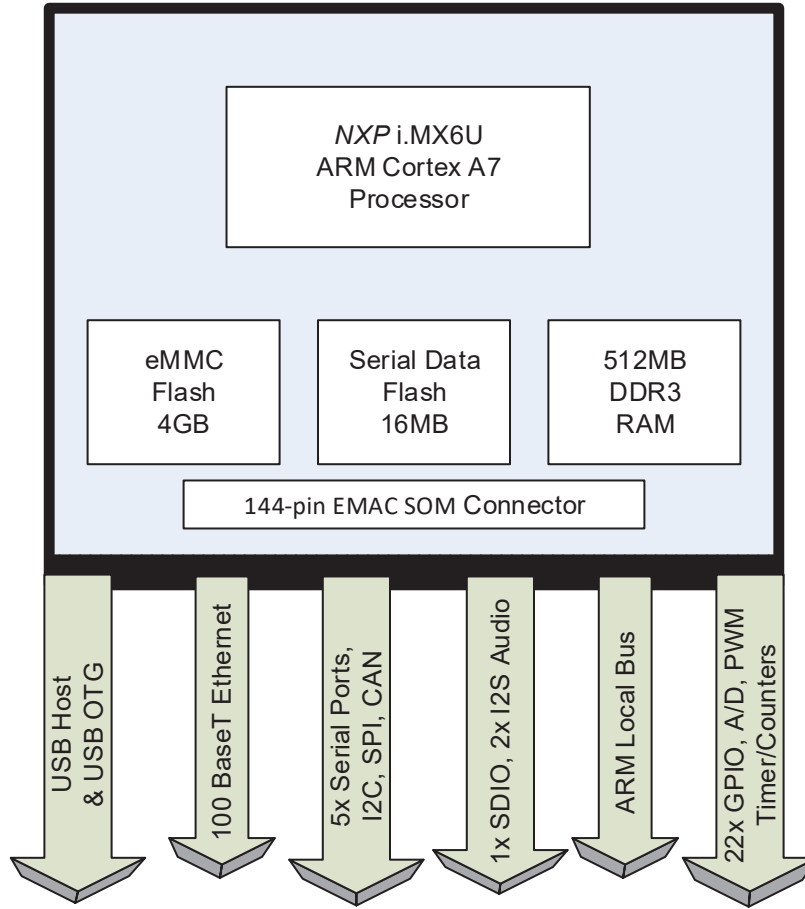


Specifications

| | |
|---------------|--|
| Processor | Freescale/NXP i.MX6 UltraLite (MCIMX6G1) Cortex A7 528 MHz |
| Memory | 128MB of LP DDR2 RAM 4GB of eMMC Flash 16MB of Serial Data Flash |
| IO | 22x GPIO (3.3V Lines) 1x SDIO SD Port 2x I2S Audio Port with Line In/Out 1x CAN Port 1x 10/100 BaseT Ethernet 1x USB 2.0 High Speed Host Port 1x USB 2.0 High Speed OTG (Host/Device) Port 5x Serial Ports (1x with handshake, 4x without handshake) 1x SPI Port 2x Timer/Counters/PWM Internal Real Time Clock/Calendar (with external battery backup) External Reset Button provision and green Status LED 1x I2C Port |
| Analog | 4x A/D Channels with 12-bit A/D Resolution (0-3.3v) |
| Bus Expansion | 144-pin SODIMM form factor |
| OS | EMAC OE Linux |
| Dimensions | 2.66" x 1.5" |
| Power Req. | Typical Running Current 160mA APM Sleep Mode of 3.5mA |
| Environment | -40° to + 85° C Industrial Temperature 90% Upper Operating Humidity |



Block Diagram



Ordering Information

| PRODUCT # | CPU | MEMORY | SERIAL | GPIO | USB | ANALOG | LAN | TEMPERATURE |
|---------------|--|--|--------|------|-------------------------|------------------------|----------------------------|----------------|
| SOM-iMX6U-120 | Freescale ARM Cortex A7 IMX6 UltraLite 528 MHz | 128MB LP DDR2 4GB eMMC 16MB Serial Flash | 5x | 22x | 1x HS Host 1x HS OTG | 4x 12-bit A/D Channels | 1x 100/100 Base T Ethernet | -40° to +85° C |

Carrier Board Options

| PRODUCT # | DESCRIPTION |
|---------------|---------------------------------------|
| SoM-150ES-000 | Standard Carrier Board |
| SoM-150ES-007 | Bare-Bones Carrier Board |
| SoM-150ES-031 | Deluxe Carrier with A/D, D/A, Audio |
| SoM-112ES-100 | Standard Carrier Audio |
| SoM112ES-131 | Deluxe Carrier Audio, Wifi, Bluetooth |

