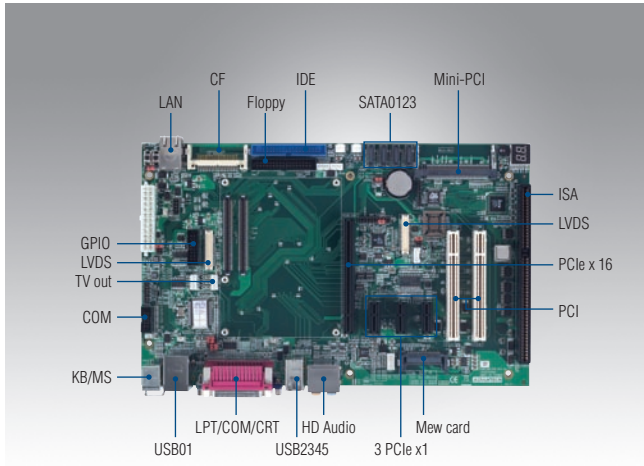


SOM-DB5700

COM-Express Development Board



Features

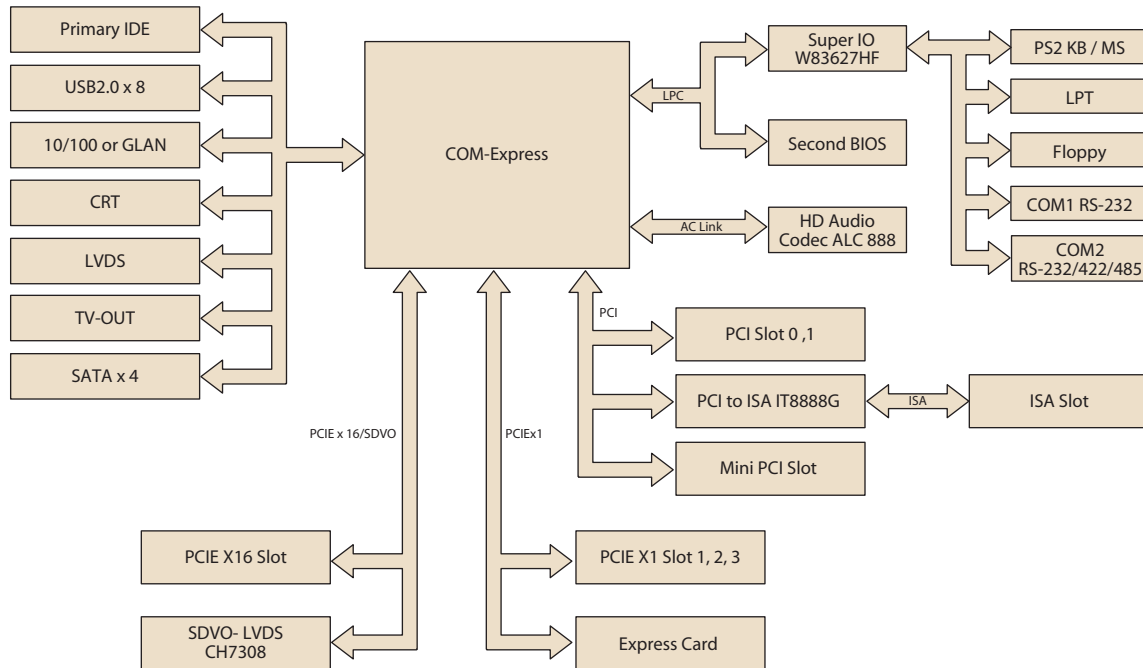
- COM-Express Development Board, Module Pin-out Type II
- ATX form factor
- Display type: Dual LVDS, VGA, TV out
- Expansion: 1 PCIe x16, 3 PCIe x1, 1 Express Card, 2 PCI master, 1 MiniPCI, 1 ISA bus slot
- SATA/EIDE/FDD/LPT/Keyboard/Mouse/USB/Audio/SSD interface



Specifications

Compatible Models		Advantech COM-Express or COM-Micro series
Display	LVDS	LVDS1 (SPEC based on CPU Module) 48-bit LVDS2 (LVDS2 is optional)
	VGA	1 (D-SUB 15P Female)
	TV Out	1
	Dual Display	LVDS1, LVDS2, VGA, TV out (LVDS2 is optional)
Ethernet		1 x Giga LAN or 10/100 (SPEC based on CPU Module)
Audio	Chipset	High Definition Audio (Line/Micro-In, Front/Center/Surround/Side surround-Out)
Expansion	PCIe x16 slots	1
	PCIe x1 slot	3
	Express Card socket	1
	PCI slots	2
	MiniPCI socket	1
	ISA slot	1
I/O	SATA	4 (Type B)
	EIDE	1 x 40 pin
	Serial	2 COM Ports (D-SUB 9P) 1 x RS-232, 1 x RS-232/422/485
	USB	8 x USB 2.0
	LPT	1 (D-SUB 15P)
	FDD	1
	KB/MS	1
	CF	1 (Type I)
	GPIO	8-bit (GPI 4-bit/GPO 4-bit)
	System FAN	2
	SMBUS	1
	I2C	1
	Port 80	1
Power	Power Type	ATX/ AT modes
Environment	Operating Temperature	0 ~ 60° C (32 ~ 140° F)
	Operating Humidity	0% ~ 90% relative humidity, non-condensing
Mechanical	Dimensions	304.8 x 190.5 mm (12" x 7.5")

Board Diagram



Ordering Information

Part No.	Description
SOM-DB5700-00A2E	Development Board for COM-Express and COM-Micro Series
SOM-DB5700G-00A2E	Development Board for COM-Express and COM-Micro Series with GLAN

Packing List

Part No.	Description	Quantity
	SOM-DB5700 Development board	1
1700100170	17.5 cm 2CH USB Cable	1
1701100300	FLAT COM port cable	1
1700001892	30 cm TV-out 5P cable	1
1701400452	FLAT 40P IDE CABLE 45 CM	1
1700008894	SERIAL ATA cable 7P/7P 30 CM	1
1701340603	Floppy cable 34P 60 cm	1