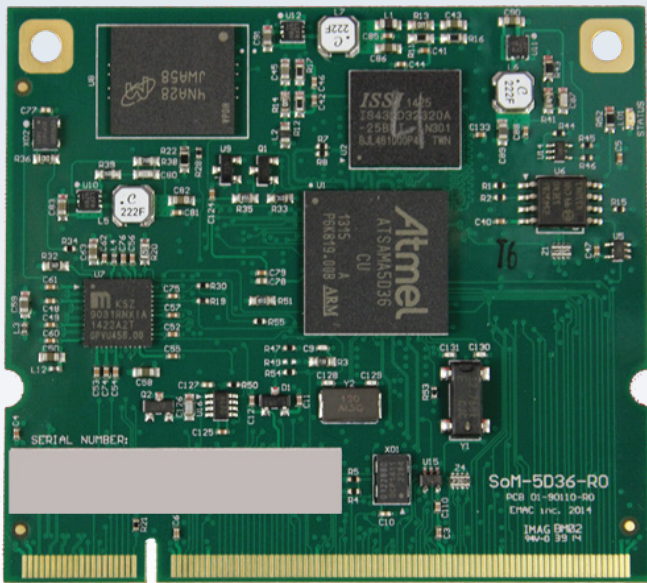


SoM-A5D36

Embedded Atmel ARM Cortex A5 ATSAMA5D36



Features

- Atmel ARM Cortex A5 536Mhz Processor
- 512 MB of LP DDR2 RAM
- 4 GB of eMMC Flash, 16MB Serial Data Flash
- Ethernet Gigabit or 10/100 IEEE 1588 PTP
- A/D, SPI, I2C, I2S, PWM, GPIO, CAN
- 3x USB, 5x Serial Ports & 2x SDIO Port
- LCD and Resistive Touch Interfaces
- Wide Temperature -40° to + 85° C



Specifications

Processor	Embedded Atmel ARM Cortex A5 ATSAMA5D36 536Mhz
Memory	Up to 512 MB of LP DDR2 RAM Up to 4 GB of eMMC Flash 16MB of Serial Data Flash
I/O	21x GPIO (3.3V) Lines 2x SDIO SD Port 1x I2S Audio Port 2x CAN 2.0b Ports 1x 10/100/1000 BaseT Ethernet or 10/100 TI DP83640 PTP Ethernet PHY, with 2nd Ethernet MAC Available 2x USB 2.0 High Speed Host Ports 1x USB 2.0 High Speed OTG (Host/Device) 5x Serial Ports 2x SPI Ports 5x Timer/Counters, 2x Programmable Clock Outputs, 4x PWM 2x I2C Ports
Analog	6x A/D Channels with 12-bit (0 to 3.3V)
Video	12-bit 4-wire Analog Resistive Touch Screen 24-bit LCD Controller
Bus Expansion	Local ARM Bus
OS	Embedded EMAC OE Linux
Dimensions	Small 200 pin SODIMM form factor 2.66" x 2.375" (67mm x 60mm)
Power Req.	3.3Vdc Typical Running Current Consumption 175mA
Environment	-40° to + 85° C Industrial Wide Temperature 90% Upper Operating Humidity



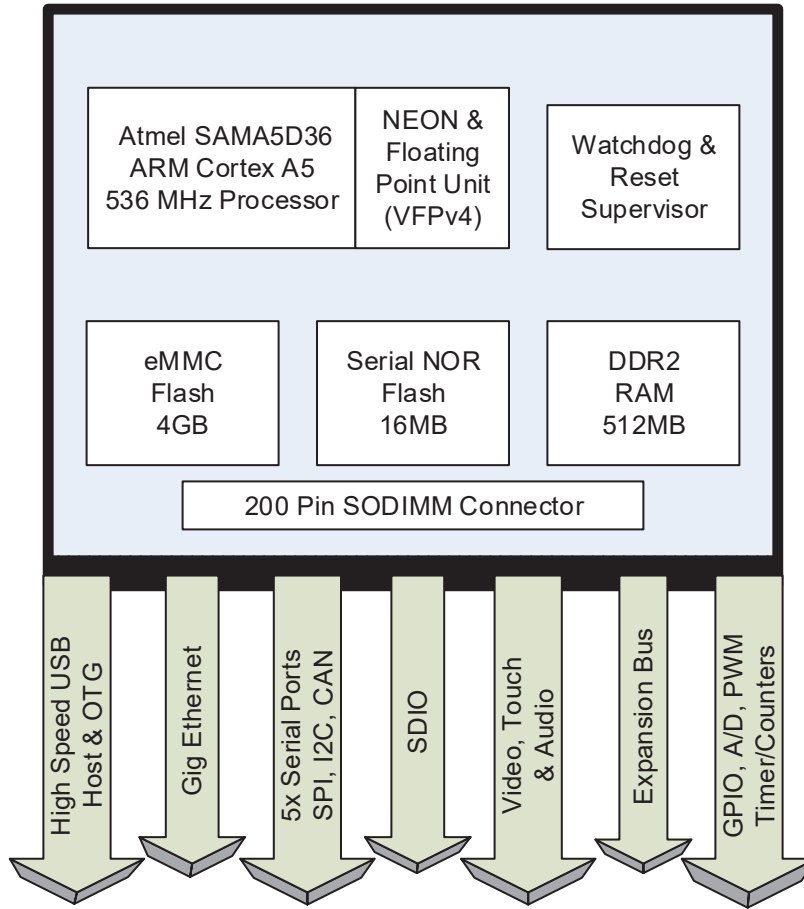
www.emacinc.com

info@emacinc.com

System on Module

EMAC, inc.

Block Diagram



Ordering Information

Product #	CPU	Memory	Serial	GPIO	USB	Video	LAN	Temperature
SoM-A5D36-140	Atmel ARM Cortex A5 ATSAMA5D36 536Mhz	512MB LP DDR2 4GB eMMC 16MB Serial Flash	5x	21x	2x HS Host 1x HS OTG	24-bit 4-wire LCD with Resistive Touch	1x 10/100/1000 BaseT w/MAC	-40° to +85° C
SoM-A536P-140	Atmel ARM Cortex A5 ATSAMA5D36 536Mhz	512MB LP DDR2 4GB eMMC 16MB Serial Flash	5x	21x	2x HS Host 1x HS OTG	24-bit 4-wire LCD with Resistive Touch	1x 10/100 BaseT IEEE1588 PTP w/MAC	-40° to +85° C

Carrier Board Options

PRODUCT #	DESCRIPTION
SOM-200GS-000	Standard 200-pin Carrier w/SD Card & 4.3" LCD
SOM-200GS-001	Deluxe 200-pin Carrier w/WiFi & 4.3" LCD
SOM-200GS-007	Bare-Bones 200-pin Carrier w/SD Card
SOM-215GS-000	Standard 2x IEEE1588 PTP Carrier w/SD Card (second TI DP83640 Real-time Phy on carrier)
SOM-215GS-001	Deluxe 200-pin Carrier with 3x COM, 2x USB2, 10/100 PTP LAN & 4.3" LCD
SOM-215GS-007	Bare Bones Carrier Board without LCD or SOM module, 3x COM, 2x USB2, 10/100 PTP LAN

