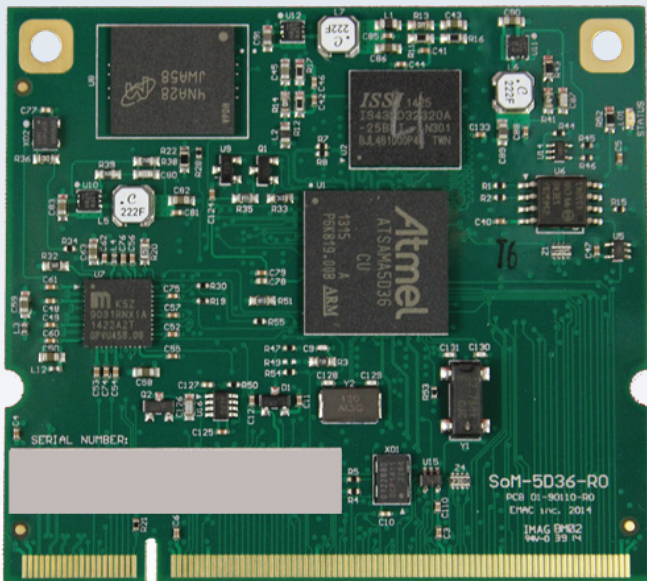


SoM-A5D36

Embedded Atmel ARM Cortex A5 ATSAMA5D36



Features

- Atmel ARM Cortex A5 536Mhz Processor
- 512 MB of LP DDR2 RAM
- 4 GB of eMMC Flash, 16MB Serial Data Flash
- Ethernet, A/D, SPI, I2C, I2S, PWM, GPIO, CAN
- 3x USB, 5x Serial Ports & 2x SDIO Port
- LCD and Resistive Touch Interfaces
- Wide Temperature -40° to + 85° C

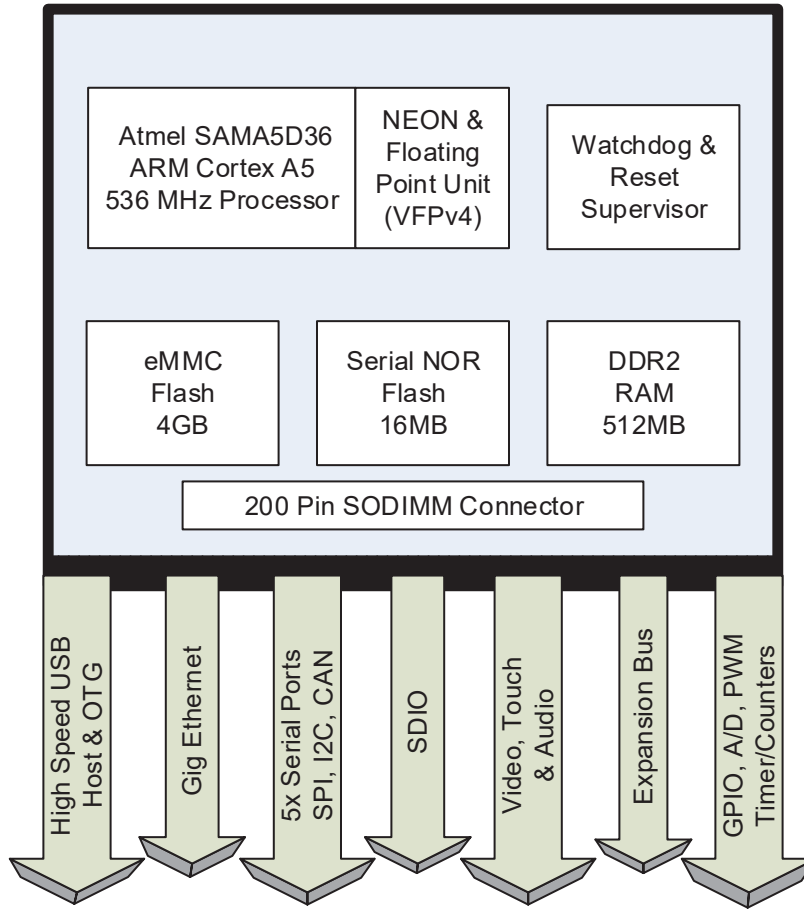


Specifications

| | |
|---------------|---|
| Processor | Embedded Atmel ARM Cortex A5 ATSAMA5D36 536Mhz |
| Memory | Up to 512 MB of LP DDR2 RAM Up to 4 GB of eMMC Flash 16MB of Serial Data Flash |
| I/O | 21x GPIO (3.3V) Lines 2x SDIO SD Port 1x I2S Audio Port 2x CAN 2.0b Ports 1x 10/100/1000 BaseT Ethernet with 2nd Ethernet MAC Available 2x USB 2.0 High Speed Host Ports 1x USB 2.0 High Speed OTG (Host/Device) 5x Serial Ports 2x SPI Ports 5x Timer/Counters, 2x Programmable Clock Outputs, 4x PWM 2x I2C Ports |
| Analog | 6x A/D Channels with 12-bit (0 to 3.3V) |
| Video | 12-bit 4-wire Analog Resistive Touch Screen 24-bit LCD Controller |
| Bus Expansion | Local ARM Bus |
| OS | Embedded EMAC OE Linux |
| Dimensions | Small 200 pin SODIMM form factor 2.66" x 2.375" (67mm x 60mm) |
| Power Req. | 3.3Vdc Typical Running Current Consumption 175mA |
| Environment | -40° to + 85° C Industrial Wide Temperature 90% Upper Operating Humidity |



Block Diagram



Ordering Information

| Product # | CPU | Memory | Serial | GPIO | USB | Video | LAN | Temperature |
|---------------|--------------------------------------|--|--------|------|-------------------------|--|-------------------------------|----------------|
| SoM-A5D36-140 | Atmel ARM Cortex A5 ATSAM5D36 536Mhz | 512MB LP DDR2 4GB eMMC 16MB Serial Flash | 5x | 21x | 2x HS Host 1x HS OTG | 24-bit 4-wire LCD with Resistive Touch | 1x 10/100/1000 BaseT w/MAC | -40° to +85° C |

Carrier Board Options

| PRODUCT # | DESCRIPTION |
|---------------|---|
| SOM-200GS-000 | Standard 200-pin Carrier w/SD Card & 4.3" LCD |
| SOM-200GS-001 | Deluxe 200-pin Carrier w/WiFi & 4.3" LCD |
| SOM-200GS-007 | Bare-Bones 200-pin Carrier w/SD Card |

