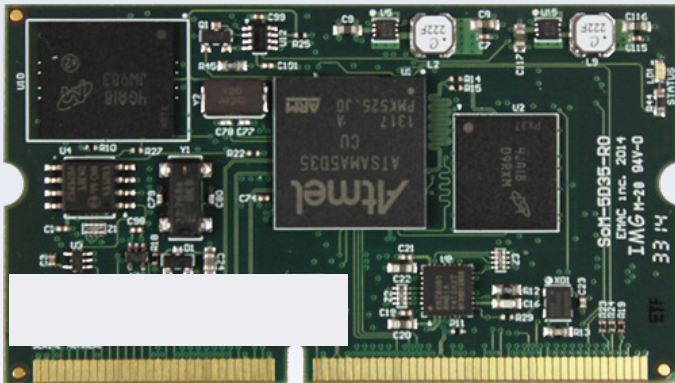


SoM-A5D35

Embedded System on Module (SoM)



Features

- Atmel ARM Cortex A5 ATSAM5D35 536 MHz
- 512MB of LP DDR2 RAM
- 4 GB eMMC Flash, 16MB Serial Data Flash
- Ethernet, A/D, SPI, I2C, I2S, PWM, GPIO, CAN
- 5x Serial Ports & 1x SDIO Port
- 3x High Speed USB Ports
- Wide Temperature -40° to + 85° C

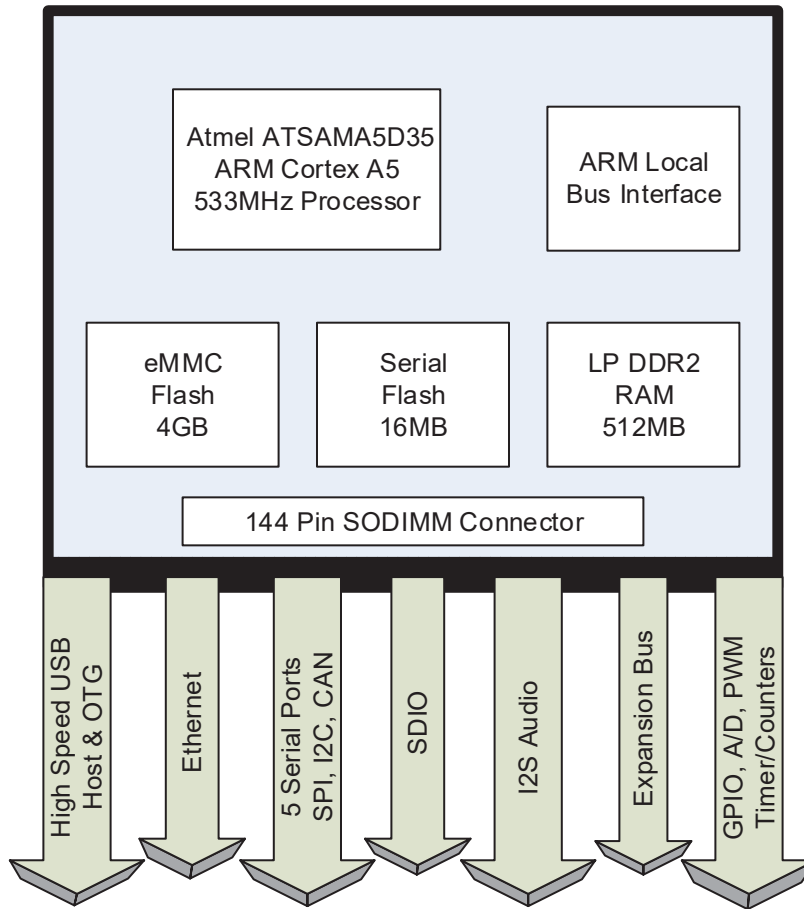


Specifications

Processor	Atmel ARM Cortex A5 ATSAM5D35 processor 536 MHz
Memory	512MB of LP DDR2 RAM 4GB of eMMC Flash 16MB of Serial Data Flash
I/O	18x GPIO (3.3V) Lines 1x SDIO SD port 1x I2S Audio Port 2x CAN 2.0B Ports 1x 10/100 BaseT Ethernet 2x USB 2.0 High Speed Host Ports 1x USB 2.0 High Speed Host/Device Port 5x Serial Ports 2x SPI Ports 2x Timer/Counters, 2x Programmable Clock Outputs, 8x PWM 2x I2C Ports
Analog	4x A/D Channels with 12-bit A/D Converter
Bus Expansion	Local ARM ATSAM5D35 Bus
OS	EMAC OE Embedded Linux
Dimensions	Small 144 pin SODIMM form factor 2.66" x 1.5" (67mm x 38mm)
Power Req.	3.3 Vdc Typical Running Current Consumption 175mA Low Operating and Sleep Current APM Sleep Mode
Environment	-40° to + 85° C Industrial Wide Temperature 90% Upper Operating Humidity



Block Diagram



Ordering Information

Product #	CPU	Memory	Serial	GPIO	USB	Analog	LAN	Temperature
SoM-A5D35-140	Atmel ARM Cortex A5 ATSAMA5D35 536 MHz	512MB LP DDR2 4GB eMMC 16MB Serial Flash	5x	18x	2x HS Host 1x HS OTG	4x 12-bit A/D Channels	1x 10/100 Base-T	-40° to +85° C

Carrier Board Options

PRODUCT #	DESCRIPTION
SoM-150ES-000	Standard Carrier Board
SoM-150ES-007	Bare-Bones Carrier Board
SoM-150ES-031	Deluxe Carrier with A/D, D/A, Audio

