

Features

- Atmel ARM9 AT91SAM9X25 400 MHz
- Up to 128 MB of DDR2 RAM
- Up to 4 GB eMMC, Up to 16 MB Serial Data Flash
- Ethernet, A/D, SPI, I2C, I2S, PWM, GPIO, CAN
- 6x Serial Ports
- 3x USB Ports, 1x SDIO Port
- Wide Temperature -40° to + 85° C

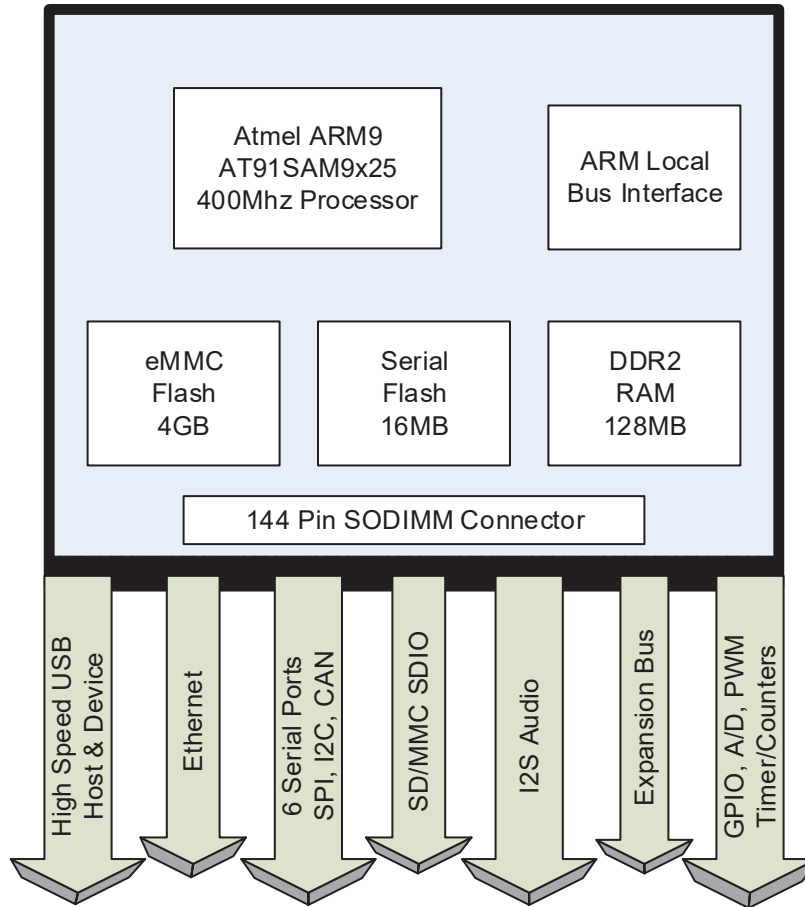


Specifications

Processor	Embedded Atmel ARM9 AT91SAM9x25 Processor 400 MHz
Memory	128 MB of DDR2 RAM 4 GB of eMMC Flash 8 MB Serial Data Flash, 16 MB of Serial Data Flash (Optional) Resident Flash Bootloader
I/O	32x GPIO with 16 ma. drive when used as an output 1x SDIO 4-bit Parallel SDHC Interface 1x I2S Audio Port 2x CAN 2.0B Ports 1x 10/100 BaseT Ethernet: On-board PHY (2nd Ethernet Optional) 1x USB 2.0 High Speed Host Port 1x USB 2.0 Full Speed Host Port 1x USB 2.0 High Speed OTG 6x Serial Ports 2x SPI High-Speed Ports with Chip Selects Timer/Counters/PWM 2x I2C Ports
Analog	4x A/D Channels with 10-bit A/D Converter
Bus Expansion	Local ARM AT91SAM9X25 Bus
OS	EMAC OE Embedded Linux
Dimensions	Small 144 pin SODIMM form factor 2.66" x 1.5" (67mm x 38mm)
Power Req.	3.3 V Typical Running Current Consumption 170 mA
Environmental	-40° to + 85° C Industrial Wide Temperature 90% Upper Operating Humidity



Block Diagram



Ordering Information

Product #	CPU	Memory	Serial	GPIO	USB	Analog	LAN	Temperature
SoM-9x25-120	Atmel ARM9 AT91SAM9X25 400 MHz	128MB DDR2 4GB eMMC 8MB Serial Flash	6x	32x	1x HS Host 1x FS Host 1x FS OTG	4x 10-bit A/D Channels	10/100 BaseT on-board PHY (2nd optional)	-40° to +85° C

Carrier Board Options

PRODUCT #	DESCRIPTION
SoM-150ES-000	Standard Carrier Board
SoM-150ES-007	Bare-Bones Carrier Board
SoM-150ES-031	Deluxe Carrier with A/D, D/A, Audio

