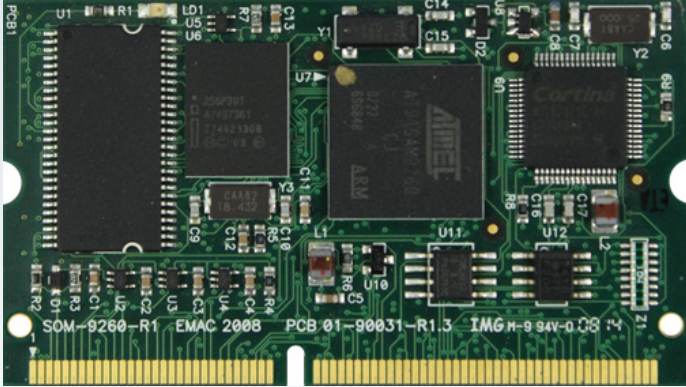


SoM-9260M

Embedded System on Module (SoM)



Features

- Atmel ARM9 Jazelle AT91SAM9260 200 MHz
- Up to 64 MB SDRAM
- Up to 64MB Flash, 128KB Serial Data Flash
- Ethernet, A/D, SPI, I2C, I2S PWM, GPIO
- 3x USB, 6x Serial Ports

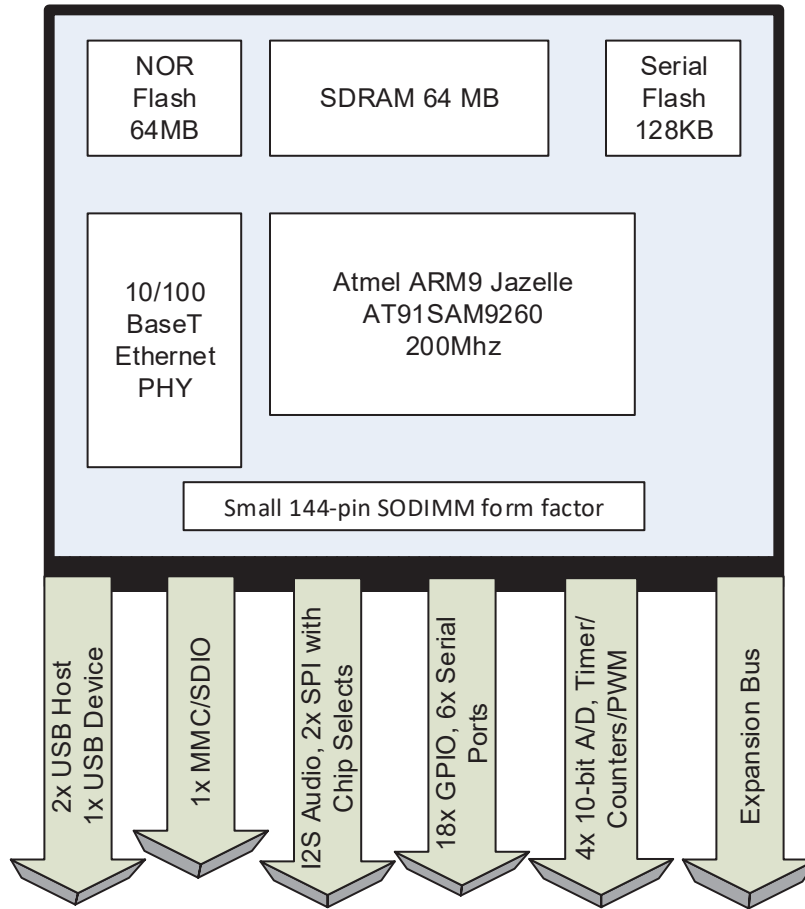


Specifications

Processor	Atmel ARM9 Jazelle AT91SAM9260 200 MHz
Memory	Up to 64MB SDRAM Up to 64MB Flash 128KB Serial Data Flash SD/MMC Flash Card Interface
I/O	32x GPIO 2x I2C Ports 1x 10/100/BaseT Ethernet with on-board PHY 2x USB 2.0 Full Speed Host Ports 1x USB 2.0 Full Speed Device Port 6x Serial Ports (3 with handshake) 5x Timer/Counters/PWM Battery Backed Real Time Clock 1x I2S Audio Port 2x SPI Ports
Analog	4x A/D Channels with 10-bit A/D Converter
Bus Expansion	Local ARM AT91SAM9260 Bus
OS	EMAC OE Embedded Linux
Dimensions	Small 144 pin SODIMM form factor 2.66" x 1.5" (67mm x 38mm)
Power Req.	3.3 V Typical Running Current Consumption 300mA and ~5mA Sleep Current
Environment	-40° to + 85° C 90% Upper Operating Humidity



Block Diagram



Ordering Information

Product #	CPU	Memory	Serial	GPIO	USB	Analog	LAN	Temperature
SoM-9260M-120	Atmel ARM9 Jazelle AT91 AM9260 200 MHz	32MB SDRAM 32MB Flash 128KB Serial Flash	6x	32x	2x FS Host 1x FS Device	4x 10-bit A/D Channels	1x 10/100 BaseT w/ On-board PHY	-40° to + 85° C
SoM-9260M-130	Atmel ARM9 Jazelle AT91 AM9260 200 MHz	64MB SDRAM 64MB Flash 128KB Serial Flash	6x	32x	2x FS Host 1x FS Device	4x 10-bit A/D Channels	1x 10/100 BaseT w/ On-board PHY	-40° to + 85° C

Carrier Board Options

PRODUCT #	DESCRIPTION
SoM-150ES-000	Standard Carrier Board
SoM-150ES-007	Bare-Bones Carrier Board
SoM-150ES-031	Deluxe Carrier with A/D, D/A, Audio

