

## Features

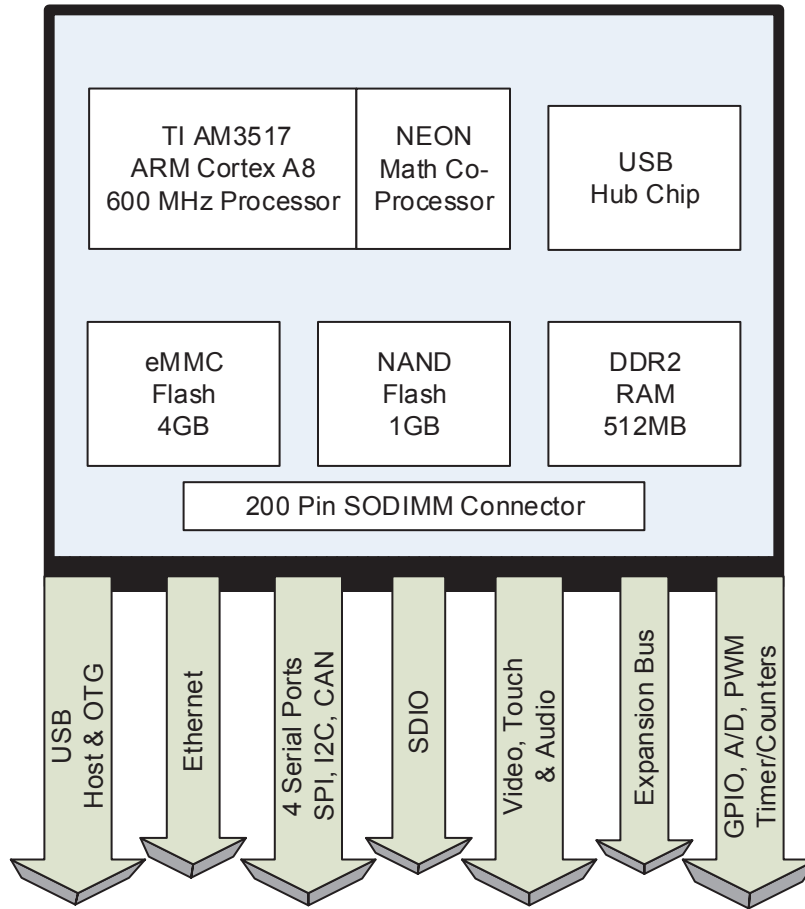
- Embedded TI ARM Cortex-A8 600 MHz
- Up to 512MB of DDR2 RAM
- Up to 4GB eMMC Flash
- Ethernet, A/D, SPI, I2C, I2S, PWM, GPIO, CAN
- 4x Serial Ports, 2x SPI ports with chip selects
- 2D/3D Accelerated Video with Resistive Touch
- -40 to +85 version (Minimum Order Qty. Applies)



## Specifications

Processor	Embedded TI AM3517 ARM Cortex-A8 with Neon Math Co-processor 600 MHz
Memory	Up to 512 MB of DDR2 RAM Up to 4GB of eMMC Flash, Up to 1GB NAND Flash
I/O	16x GPIO (3.3V) Lines 1x I2S Audio Port 1x CAN 2.0b Port 1x 10/100 BaseT Ethernet 2x USB 1.1/2.0 High Speed Host Ports 1x USB 2.0 High Speed OTG (Host/Device) Port 4x Serial Ports 2x SPI Ports Timer/Counters/PWM (11x General Purpose Timers) 2x I2C Hardware Ports
Video	2D/3D Accelerated HD Video up to 2048 x 2048 12-bit 4-Wire Analog Resistive Touch Screen Interface
Analog	2x A/D Channels with 12-bit A/D Converter
Bus Expansion	Local ARM Cortex-A8 Multiplexed Bus accessible through SODIMM
OS	EMAC OE Embedded Linux
Dimensions	Small 200 pin SODIMM form factor 2.66" x 2.375" (67mm x 60mm)
Power Req.	3.3 V Typical Running Current Consumption 470 mA
Environment	0° to + 70° Operating Temperature (-40° to + 85° C Minimum Order Quantity Applies) 90% Upper Operating Humidity

## Block Diagram



## Ordering Information

Product #	CPU	Memory	Serial	GPIO	USB	Video	LAN	Temperature
SoM-3517M-131	TI AM3517 ARM Cortex-A8 600 MHz	256 MB DDR2 4GB eMMC 512 MB Serial Flash	4x	16x	2x HS Hosts 1x HS OTG	24-bit DSTN/TFT LCD with Touch	10/100 BaseT	0° to +75° C Optional -40° to +85° C

## Carrier Board Options

PRODUCT #	DESCRIPTION
SoM-200GS-000	Standard Carrier Board with SD Card, Audio, CAN, PLD & 4.3" LCD Touch Screen
SoM-200GS-001	Deluxe Standard Carrier with WiFi, Audio, CAN, PLD & 4.3" LCD Touch Screen, without SD Card Socket
SoM-200GS-007	Bare-Bones Carrier Board with SD Card & CAN, without Audio, PLD & LCD
SoM-210ES-000	Standard Carrier Board with 4.3" LCD & Touch Screen
SoM-210ES-007	Bare-bones carrier board
SoM-212ES-000	Standard Carrier Board with LCD & Touch Screen
SoM-212ES-003	Deluxe Carrier with POE, Audio, LCD & Touch Screen
SoM-212ES-007	Bare-Bones Carrier Board
SoM-250GS-000	Standard Carrier Board with CAN, Audio, 7" LCD Touch Screen
SoM-250GS-001	Deluxe Carrier Board with CAN, Audio, 10" LVDS LCD Touch Screen
SoM-250GS-007	Bare-Bones Carrier Board, no LCD

