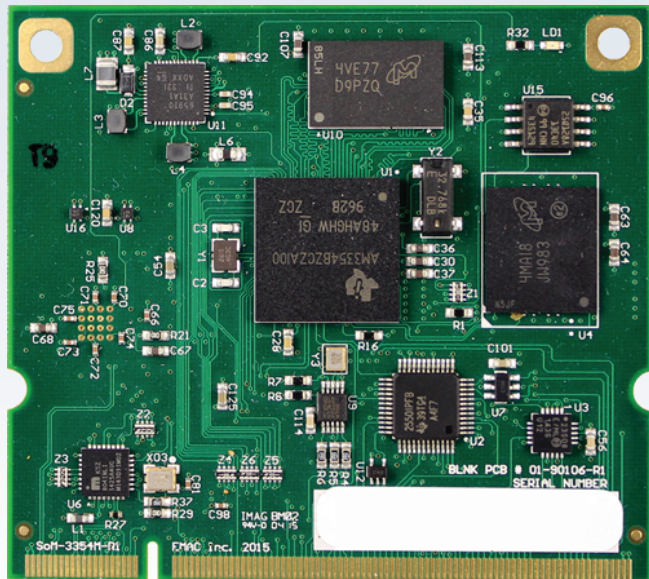


SoM-3354M

Embedded System on Module (SoM)



Features

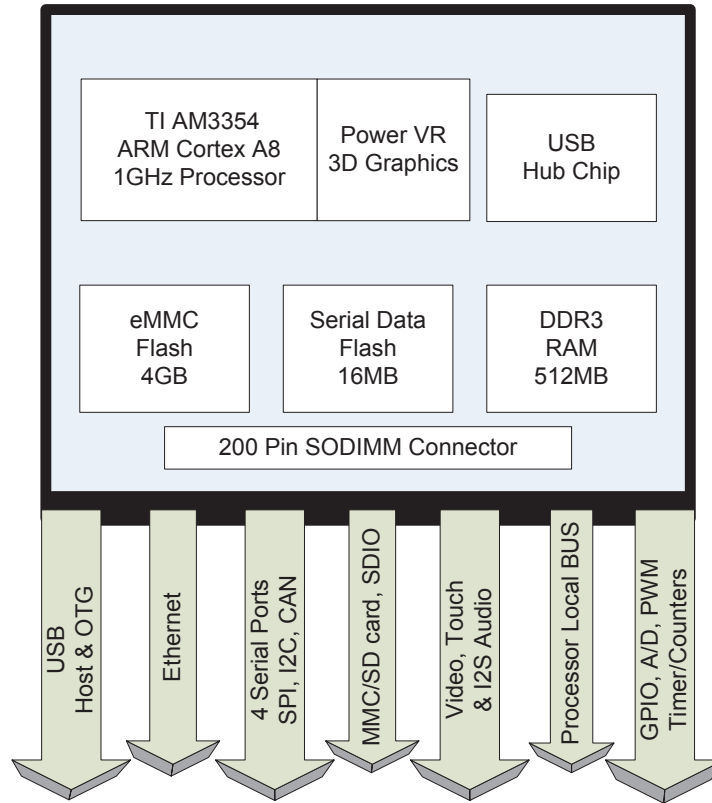
- TI AM3354 ARM Cortex-A8 1 GHz processor
- 512 MB of DDR3 RAM
- 4 GB of eMMC Flash, 16 MB Serial Data Flash
- Ethernet, 4x Serial Ports, A/D, SPI, I2C, I2S & CAN
- 3x USB 2.0 High Speed Ports & 1x SDIO Port
- LCD & Resistive Touch Interfaces
- Wide Temperature -40° to + 85° C



Specifications

Processor	TI AM3354 ARM Cortex-A8 Processor with Neon Math Coprocessor 1 GHz
Memory	512 DDR3 SDRAM 4 GB of eMMC Flash, Up to 16 GB eMMC Flash Upgrade (Minimum order quantity applies) 16 MB Serial Data Flash
I/O	22x GPIO (3.3V) Lines 1x SDIO Port 1x I2S Audio Port 1x CAN Port 1x 10/100 BaseT Ethernet 2x USB 2.0 High Speed Hosts Ports 1x USB 2.0 High Speed OTG (Host or Device) 4x Serial Ports with RTS/CTS Handshake 2x SPI Ports with 4 Slave Selects 2x Timer/Counters/PWM 1x I2C hardware Port
Video	2D/3D Accelerated Video up to 2048x2048 4-Wire Resistive Touch Controller
Analog	4x A/D Channels with 12-bit A/D Resolution
Expansion	Local ARM 16-bit Bus
OS	EMAC OE Embedded Linux
Dimensions	200 pin SODIMM form factor 2.66" x 2.375" (67mm x 60mm)
Power Req.	3.3 V with On-board Core/Memory Regulators Typical Running Current Consumption 325mA
Environment	-40° to + 85° C Industrial Wide Temperature 90% Upper Operating Humidity

Block Diagram



Ordering Information

Product #	CPU	Memory	Serial	GPIO	USB	Video	LAN	Temperature
SoM-3354M-140	TI AM3354 ARM Cortex A8 1GHz	4GB eMMC 512MB DDR3 16MB Serial Flash	4x	22x	2 Host 1 OTG	18-bit TTL 4-Wire with Resistive Touch	1x 10/100 BaseT	-40° to +85° C
SoM-3354M-141	TI AM3354 ARM Cortex A8 1GHz	4GB eMMC 512MB DDR3 16MB Serial Flash	2x	14x	1 OTG	18-bit TTL 4-Wire with Resistive Touch	1x 10/100 BaseT	-40° to +85° C

Carrier Board Options

PRODUCT #	DESCRIPTION
SoM-200GS-000	Standard Carrier Board with SD Card, Audio, CAN, PLD & 4.3" LCD Touch Screen
SoM-200GS-001	Deluxe Standard Carrier with WiFi, Audio, CAN, PLD & 4.3" LCD Touch Screen, without SD Card Socket
SoM-200GS-007	Bare-Bones Carrier Board with SD Card & CAN, without Audio, PLD & LCD
SoM-210ES-000	Standard Carrier Board with 4.3" LCD & Touch Screen
SoM-210ES-007	Bare-bones carrier board
SoM-212ES-000	Standard Carrier Board with LCD & Touch Screen
SoM-212ES-003	Deluxe Carrier with POE, Audio, LCD & Touch Screen
SoM-212ES-007	Bare-Bones Carrier Board
SoM-250GS-000	Standard Carrier Board with CAN, Audio, 7" LCD Touch Screen
SoM-250GS-001	Deluxe Carrier Board with CAN, Audio, 10" LVDS LCD Touch Screen
SoM-250GS-007	Bare-Bones Carrier Board, no LCD

