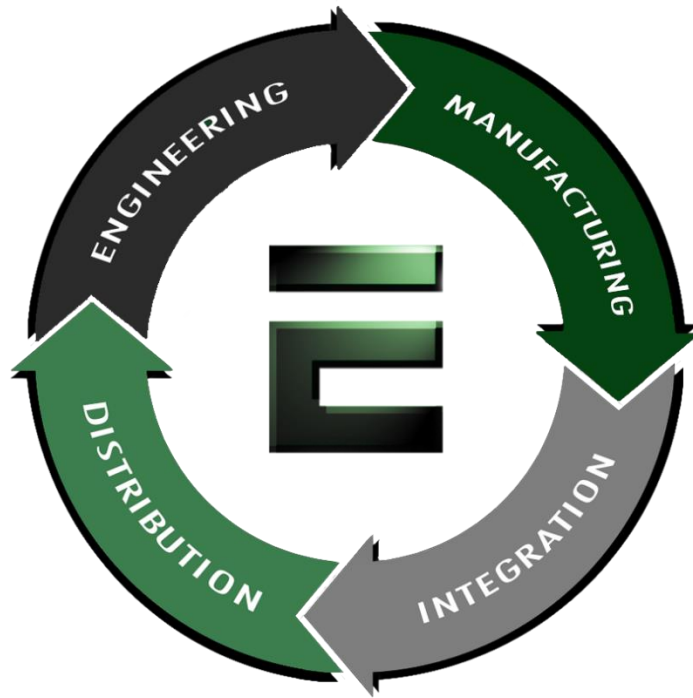


**Our Products Make Your Product Better®**

To learn more about EMAC's products and services and how they can help your project

[http://ftp.emacinc.com/Tech\\_Info/About\\_EMAC\\_Products\\_and\\_Services.pdf](http://ftp.emacinc.com/Tech_Info/About_EMAC_Products_and_Services.pdf)



Authorized Distributor, Integrator, and Value-Added Reseller

Manual downloaded from <ftp.emacinc.com>

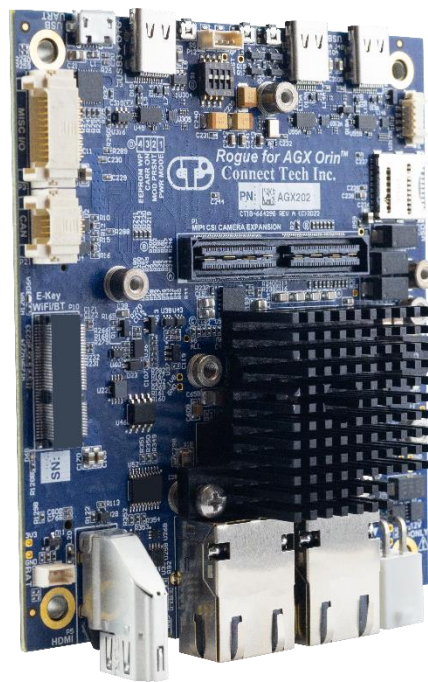
For purchase information please contact [info@emacinc.com](mailto:info@emacinc.com)

For technical support please submit a ticket at [www.emacinc.com/support](http://www.emacinc.com/support)



**Connect Tech Inc.**  
Embedded Computing Experts

# USERS GUIDE



## Rogue Carrier for NVIDIA® Jetson AGX Orin™

CTIM-00086 Revision 0.01 2023-08-31



CONNECT TECH  
[www.connecttech.com](http://www.connecttech.com)  
[support@connecttech.com](mailto:support@connecttech.com)

# TABLE OF CONTENTS

<b>Table of Contents</b> .....	<b>2</b>
<b>Preface</b> .....	<b>4</b>
Disclaimer .....	4
Customer Support Overview .....	4
Contact Information .....	4
Limited Product Warranty.....	5
Copyright Notice .....	5
Trademark Acknowledgment .....	5
ESD Warning .....	6
<b>Revision History</b> .....	<b>6</b>
<b>Introduction</b> .....	<b>7</b>
Product Features and Specifications.....	8
Part Numbers / Ordering Information .....	8
<b>Feature Comparison</b> .....	<b>9</b>
<b>Product Overview</b> .....	<b>10</b>
Block Diagram .....	10
Board (Top Side).....	11
Board (Back Side) .....	12
Connector Summary & Locations .....	13
Jumper Summary & Locations.....	13
LED Summary.....	13
<b>Detailed Feature Description</b> .....	<b>14</b>
Connector and Switch Locations - Connector Side.....	14
Connector and Switch Locations - Module Side .....	15
LED Locations .....	15
Jetson AGX Orin™ Board-to-Board Carrier Connector .....	16
M.2 M-Key – NVMe .....	16
CAN Bus TERM enable switch.....	16
USB UART Debug console – Micro USB-AB.....	17
USB 3.2 Gen2 (10 Gbps) / OTG Type C.....	17
USB 3.2 Gen2 (10Gbps) Type C.....	18
RTC Battery.....	18
MISC I/O Connector .....	19
CAN Bus Connector.....	20
CAMERA Expansion Connector.....	20
M.2 E-Key – WiFi and Bluetooth Expansion port .....	23
Fan Connector (12V).....	23
External Switch Access Connector.....	24
Micro SD Card Expansion port .....	24
HDMI Video Output.....	24
GBE RJ45 Connectors.....	25
POWER Connector.....	25
POWER Mode Select Switch .....	26
Push Button Switches .....	27

<b>Typical Installation .....</b>	<b>27</b>
<b>Software .....</b>	<b>27</b>
<b>Force Recovery Mode .....</b>	<b>28</b>
<b>Power Consumption.....</b>	<b>28</b>
<b>Cables.....</b>	<b>29</b>
<b>Mechanical Drawings &amp; Models.....</b>	<b>30</b>
<b>Thermal Options.....</b>	<b>30</b>
Passive Heatsink (XHG320) .....	30
Active Heatsink (XHG319).....	30
Assembly drawings .....	31
TTP (No-Heatsink).....	31
Passive Heatsink .....	33
Active Heatsink .....	35

## PREFACE

### Disclaimer

The information contained within this user’s guide, including but not limited to any product specification, is subject to change without notice.

Connect Tech assumes no liability for any damages incurred directly or indirectly from any technical or typographical errors or omissions contained herein or for discrepancies between the product and the user’s guide.

### Customer Support Overview

If you experience difficulties after reading the manual and/or using the product, contact the Connect Tech reseller from which you purchased the product. In most cases the reseller can help you with product installation and difficulties.

In the event that the reseller is unable to resolve your problem, our highly qualified support staff can assist you. Our support section is available 24 hours a day, 7 days a week on our website at: <https://connecttech.com/support/resource-center/>. See the contact information section below for more information on how to contact us directly. Our technical support is always free.

### Contact Information

Contact Information	
<b>Mail/Courier</b>	Connect Tech Inc. Technical Support 489 Clair Rd. W. Guelph, Ontario Canada N1L 0H7
<b>Contact Information</b>	<a href="mailto:sales@connecttech.com">sales@connecttech.com</a> <a href="mailto:support@connecttech.com">support@connecttech.com</a> <a href="http://www.connecttech.com/">www.connecttech.com/</a>  Toll Free: 800-426-8979 (North America only) Telephone: +1-519-836-1291 Facsimile: 519-836-4878 (on-line 24 hours)
<b>Support</b>	Please go to the <a href="#">Connect Tech Resource Center</a> for product manuals, installation guides, device drivers, BSPs and technical tips.  Submit your <a href="#">technical support</a> questions to our support engineers. Technical Support representatives are available Monday through Friday, from 8:30 a.m. to 5:00 p.m. Eastern Standard Time.

## Limited Product Warranty

Connect Tech Inc. provides a one-year Warranty for this product. Should this product, in Connect Tech Inc.'s opinion, fail to be in good working order during the warranty period, Connect Tech Inc. will, at its option, repair or replace this product at no charge, provided that the product has not been subjected to abuse, misuse, accident, disaster or non-Connect Tech Inc. authorized modification or repair.

You may obtain warranty service by delivering this product to an authorized Connect Tech Inc. business partner or to Connect Tech Inc. along with proof of purchase. Product returned to Connect Tech Inc. must be pre-authorized by Connect Tech Inc. with an RMA (Return Material Authorization) number marked on the outside of the package and sent prepaid, insured and packaged for safe shipment. Connect Tech Inc. will return this product by prepaid ground shipment service.

The Connect Tech Inc. Limited Warranty is only valid over the serviceable life of the product. This is defined as the period during which all components are available. Should the product prove to be irreparable, Connect Tech Inc. reserves the right to substitute an equivalent product if available or to retract the Warranty if no replacement is available.

The above warranty is the only warranty authorized by Connect Tech Inc. Under no circumstances will Connect Tech Inc. be liable in any way for any damages, including any lost profits, lost savings or other incidental or consequential damages arising out of the use of, or inability to use, such product.

## Copyright Notice

The information contained in this document is subject to change without notice. Connect Tech Inc. shall not be liable for errors contained herein or for incidental consequential damages in connection with the furnishing, performance, or use of this material. This document contains proprietary information that is protected by copyright. All rights are reserved. No part of this document may be photocopied, reproduced, or translated to another language without the prior written consent of Connect Tech, Inc.

Copyright © 2023 by Connect Tech, Inc.

## Trademark Acknowledgment

Connect Tech, Inc. acknowledges all trademarks, registered trademarks and/or copyrights referred to in this document as the property of their respective owners. Not listing all possible trademarks or copyright acknowledgments does not constitute a lack of acknowledgment to the rightful owners of the trademarks and copyrights mentioned in this document.

## ESD Warning



Electronic components and circuits are sensitive to ElectroStatic Discharge (ESD). When handling any circuit board assemblies including Connect Tech COM Express carrier assemblies, it is recommended that ESD safety precautions be observed. ESD safe best practices include, but are not limited to:

- Leaving circuit boards in their antistatic packaging until they are ready to be installed.
- Using a grounded wrist strap when handling circuit boards, at a minimum you should touch a grounded metal object to dissipate any static charge that may be present on you.
- Only handling circuit boards in ESD safe areas, which may include ESD floor and table mats, wrist strap stations and ESD safe lab coats.
- Avoiding handling circuit boards in carpeted areas.
- Try to handle the board by the edges, avoiding contact with components.

## REVISION HISTORY

Revision	Date	Changes
0.00	2023-01-24	Initial Release
0.01	2023-08-31	Added Mechanical Assy Dwgs. Identified shared bandwidth USB ports. Updated block diagram to fix USB naming.

## INTRODUCTION

Connect Tech's Rogue for AGX Orin™ (AGX202) is a full featured NVIDIA® Jetson AGX Orin™ module carrier board. This carrier board for AGX Orin™ is specifically designed for commercially deployable platforms, and has an extremely small footprint of 92mm x 107mm.

Rogue for AGX Orin™ provides access to an impressive list of latest generation interfaces on the AGX Orin™ while adding additional interfaces of 3x USB 3.2, 2x 10GbE, 1x HDMI and a locking Mini-Fit Jr. input power connector.

Rugged camera add-on expansion boards will also be available for use with the Rogue for AGX Orin™ to interface directly with the AGX Orin™ high density MIPI CSI interfaces.



## Product Features and Specifications

Specifications	
NVIDIA® GPU SoC Module Compatibility	NVIDIA® Jetson AGX Orin™ NVIDIA® Jetson AGX Orin™ Industrial (Industrial supported from PCB Revision D onwards)
Networking	2x 10GBase-T Ethernet (RJ45)
Display Output	1x HDMI (Supports up to HDMI 2.0)
Camera Input	6x two lane MIPI CSI-2 or 4x four lane MIPI CSI-2 using a 120 pin (dev kit compatible) QSH expansion connection
USB	3x USB 3.2 5Gbps/10Gbps (Type C – OTG mode 1 port) (Note only 2 interfaces can be used at 10Gbps simultaneously)
Storage	2x NVMe M.2 Key M Slots 1x Micro SD Slot
UART	2x @3.3V Levels UART0 and UART1 Micro USB Debug UART
I2C/SPI	1x @3.3V I2C 1x @3.3V SPI
CAN Bus	2x CAN 2.0b Port (Non-Isolated)
GPIO	4 bits of 3.3V (level shifted GPIO) (1PWM)
User Expansion	1x M.2 Key E Slot with PCIe & USB (Wifi + BT Modules)
Input Power	+12VDC Input Only (Positive Locking Molex Mini-Fit Jr Header)
PCB / Electronics Mechanical Information	92mm x 107mm
Operating Temperature (Carrier Board Only)	-40°C to +85°C (-40°F to +185°F)

## Part Numbers / Ordering Information

Please refer to the Rogue for AGX Orin™ product [webpage](#) or contact sales for the most up to date ordering information.

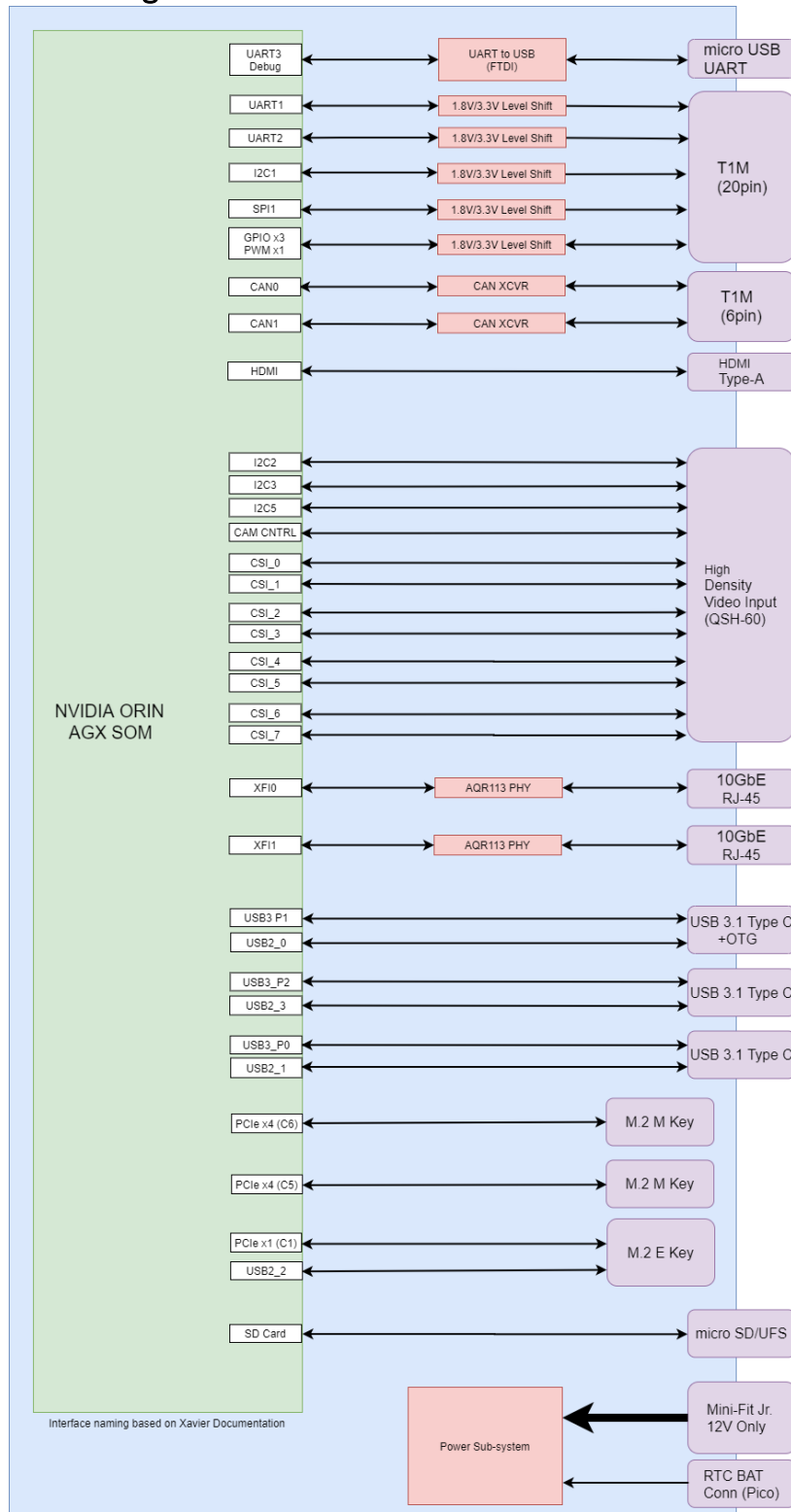
## FEATURE COMPARISON

While all attempts to make a drop-in replacement have been made there are notable differences between AGX101 and AGX202. The table below attempts to clarify these differences

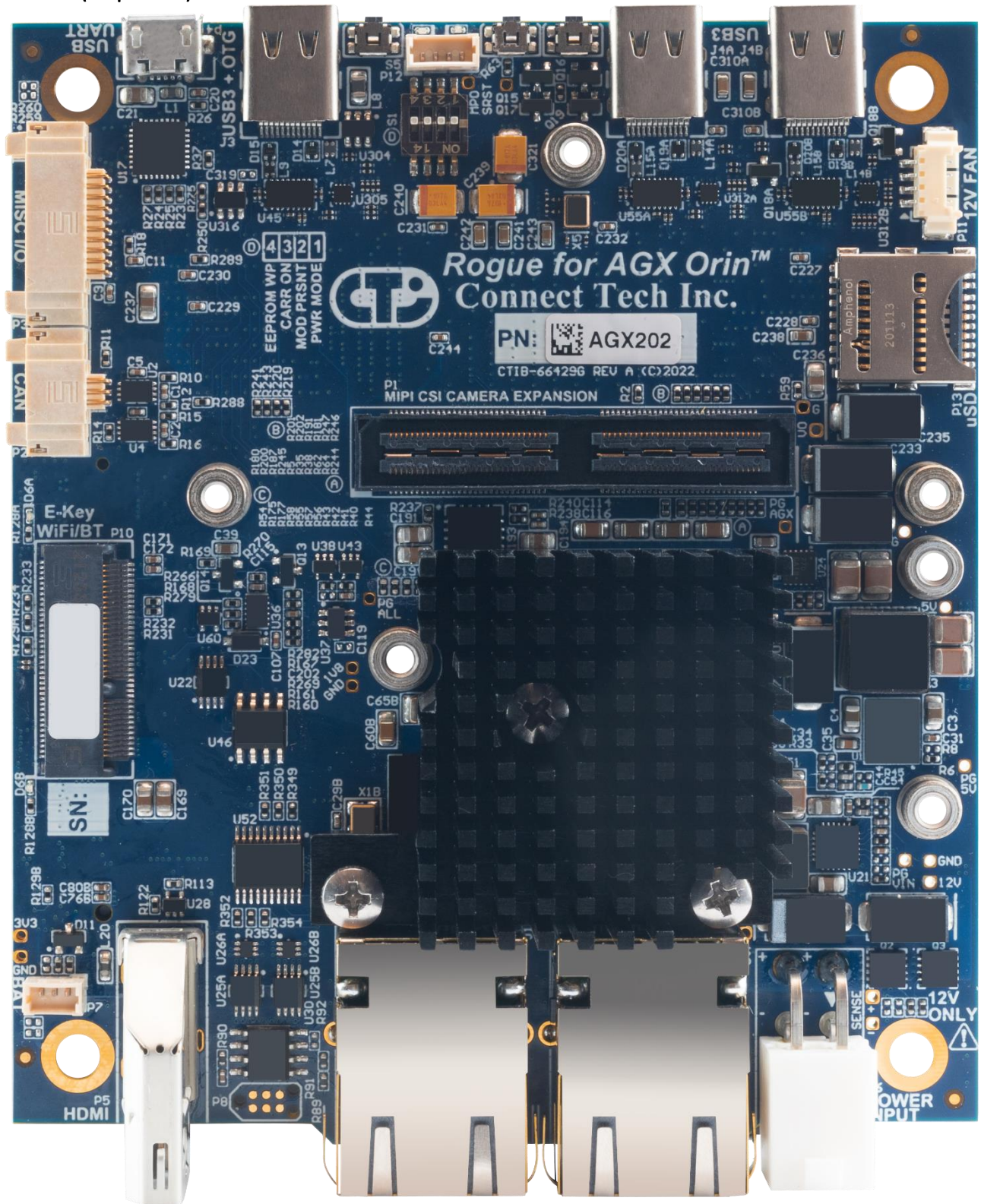
Specifications		
	Rogue for AGX Orin™ (AGX202)	Rogue for AGX Xavier™ (AGX101)
NVIDIA® GPU SoC Module Compatibility	NVIDIA® Jetson AGX Orin™	NVIDIA® Jetson AGX Xavier™
Networking	2x 10GBase-T Ethernet (RJ45) <ul style="list-style-type: none"> <li>- Two AQR113 PHYs</li> </ul>	2x Gigabit Ethernet (RJ45) <ul style="list-style-type: none"> <li>- One port from RGMII PHY (direct from module)</li> <li>- One port from a PCIe I210 MAC/PHY</li> </ul>
Display Output	1x HDMI (Supports up to HDMI 2.0)	2x HDMI 1.4a (Type A)
Camera Input	6x Two lane MIPI CSI-2 or 4x four lane MIPI CSI-2 using a 120 pin (dev kit compatible) QSH expansion connection	
USB	3x USB Type-C (10Gbps) One port supports OTG mode	
Storage	2x NVMe M.2 Key M 1x Micro SD Slot	2x NVMe M.2 Key M 1x Micro SD or UFS slot
UART	2x 3.3V Level UARTs on GPIO Connector 1x Micro USB Debug UART	
I2C/SPI	1x 3.3V I2C on GPIO Connector 1x 3.3V SPI on GPIO Connector	
CAN Bus	2x CAN 2.0b Port (Non-Isolated)	2x CAN 2.0b Port (Isolated)
GPIO	4x 3.3V GPIOs on GPIO Connector (1x PWM)	4x 3.3V GPIOs on GPIO Connector
User Expansion	1x M.2 Key E Slot with PCIe & USB2 (Wi-Fi + BT Modules)	
Input Power	<b>+12VDC Input Only</b> (4 pin Mini-fit Jr Connector)	+9-19V DC Wide Input Power (4 pin Mini-fit Jr Connector)
PCB Mechanical Information	92mm x 107mm	92mm x 105mm
Weight	143g (Includes PHY heatsink)	103g
Operating Temperature (Carrier Board Only)	-40°C to +85°C (-40°F to +185°F)	

# PRODUCT OVERVIEW

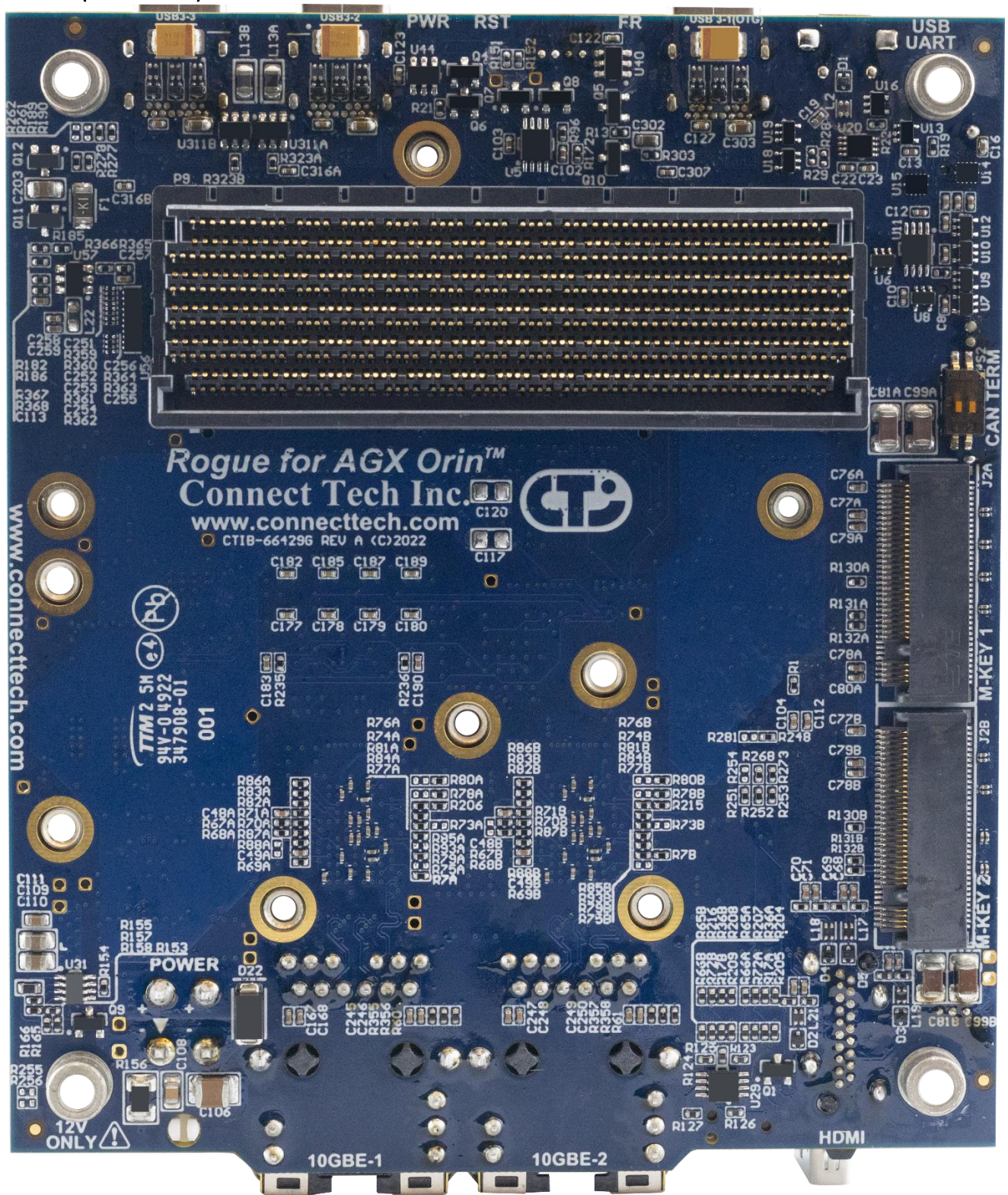
## Block Diagram



### Board (Top Side)



Board (Back Side)



## Connector Summary & Locations

Designator	Description
P9	Jetson AGX Orin™ connector
J2A, J2B	M.2 M-Key (NVMe) connector
P4	USB UART Debug Console connector
J3	USB 3.1 device port and OTG programming port connector
J4A, J4B	USB 3.1 device ports
P3	MISC I/O connector
P2	CAN Bus Connector
P1	MIPI Camera Expansion connector
P10	M.2 E-Key connector
P11	12V Fan connector
P12	External Switch Access connector
P13	Micro SD
P5	HDMI Display output connectors
J1A, J1B	RJ45 10GbE connectors
P6	Input Power connector
P7	RTC Battery connector

## Jumper Summary & Locations

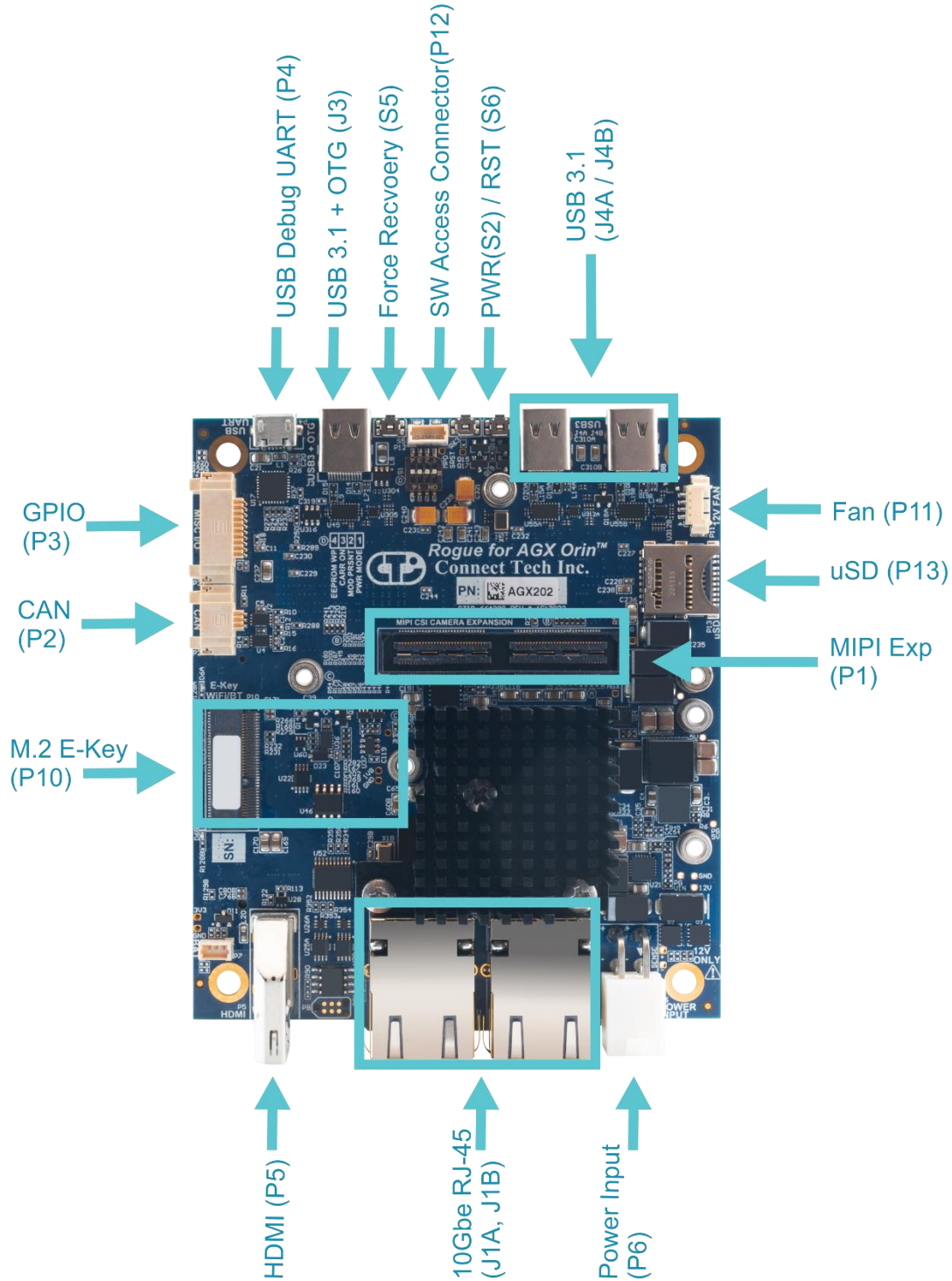
Designator	Description
S1	Power Option control dip switches
S2	CAN Bus Termination control dip switches
S3	Power ON momentary switch
S5	Force Recovery momentary switch
S6	Reset momentary switch

## LED Summary

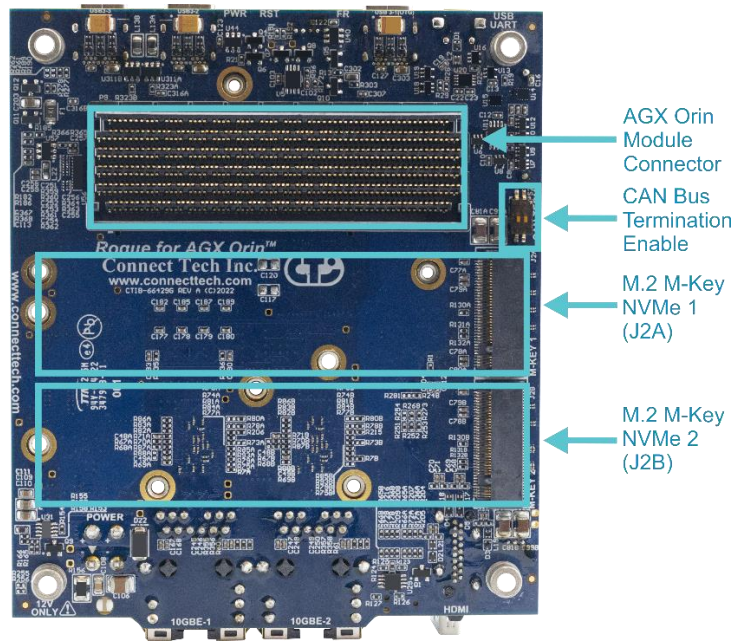
Designator	Description
D6A	M.2 connector (J2A) activity
D6B	M.2 connector (J2B) activity
D9	Input Power is good
D10	System Power is good and system is powering on (booting up). In manual power on mode (via dip switch), this light will power on only after the power button has been pushed. Since the typical default mode is auto power on, the light will come on as on the system starts to boot.

## DETAILED FEATURE DESCRIPTION

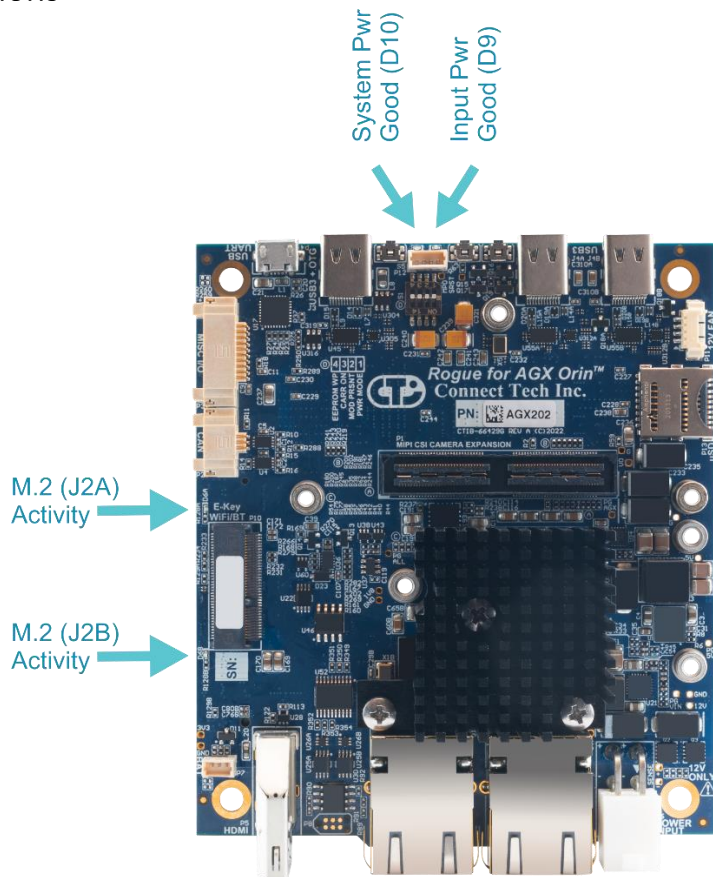
### Connector and Switch Locations - Connector Side



### Connector and Switch Locations - Module Side




### LED Locations






**Jetson AGX Orin™ Board-to-Board Carrier Connector**


Function	NVIDIA® Jetson AGX Orin™ Module Interface
Location	P9
Type	Molex Mirror Mezz™ Connector
Connector	Part Number: 203456-0003 Manufacturer: Molex
Mating Connector	Same as above.
Pinout	Refer to NVIDIA® Jetson AGX Orin™ System-on-Module datasheet and OEM design guide for pinout details


**M.2 M-Key – NVMe**

Function	NVMe Storage (x2 PCIe Gen 4)
Location	J2A, J2B
Type	2280 M.2 M-key 3.2mm mating height with M3 mounting standoff.
Connector	Part Number: 1-2199119-5 Manufacturer: TE
Mating Connector	N/A
Pinout	M.2 Specification M-Key pin assignment.
Notes	Interface is x4 PCIe Gen 4. SATA is not supported. PCIe based devices only.

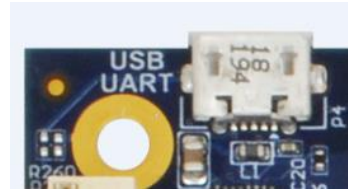

**CAN Bus TERM enable switch**

Function	Enable CAN Bus termination on CAN1 and CAN2			
Location	S2			
Type	2 SPST dip switch			
Default	Product is shipped with both Terminations DISABLED. Only add the termination if the unit is an end point of any CAN Bus connection, otherwise leave disabled.			
Pinout	Switch	Description	ON	OFF
	S2-1	CAN Bus 1 TERM Enable	120 ohm	No TERM
	S2-2	CAN Bus 2 TERM Enable	120 ohm	No TERM

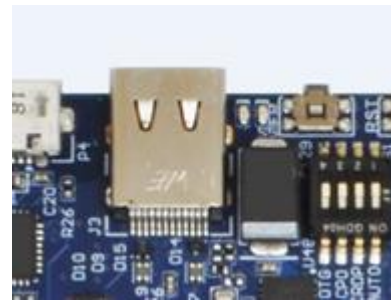


**USB UART Debug console – Micro USB-AB**

Function	USB UART Debug console	
Location	P4	
Type	5 Pin USB Micro AB connector	
Connector	Part Number: 47589-0001 Manufacturer: Molex	
Mating Cable	Any standard Micro USB to USB Type A	
Notes	This interface utilizes an FTDI USB to Serial device on board to allow access to the Jetson AGX Orin™ Serial debug console using any Micro USB to USB A cable and any PC with a USB interface and serial terminal program.	


**USB 3.2 Gen2 (10 Gbps) / OTG Type C**

Function	USB 3.2 Gen2 device port, OTG programming port	
Location	J3	
Type	24 Pin USB Type C	
Connector	Part Number: 632723300011 Manufacturer: Würth	
Mating Cable	Any Standard Type C interface cable or device  ** Note this port only supports USB devices, it does not include a display interface **	
Notes	<p>This interface doubles as both a standard DFP (Downward facing port) USB 3.2 Gen2 port to support USB 3.2 Gen2 devices and the Jetson AGX Orin™ Programming (flashing) interface port. The port is capable of up to USB 3.2 Gen 2 speeds in normal operation. The USB 2.0 portion of the interface doubles as the OTG programming port when the FORCE RECOVERY function is applied at startup. The power to the port is disabled so an external PC connection is possible in order to reprogram the module using Jetpack.</p> <p>Maximum power available on this output is 1.5A @5V.</p> <p>J3 shares 10Gbps bandwidth with J4B</p>	



**USB 3.2 Gen2 (10Gbps) Type C**

Function	USB 3.2 Gen2 device ports	
Location	J4A, J4B	
Type	24 Pin USB Type C	
Connector	Part Number: 632723300011 Manufacturer: Würth	
Mating Connector	Any Standard Type C interface cable or device  <b>** Note this port only supports USB devices, it will not work as a display interface **</b>	
Notes	These interfaces are both standard DFP (Downward facing port) USB 3.2 Gen 2 capable ports used to support USB peripheral devices. Display devices or devices requiring 20V power modes are NOT supported.  The power available from either of these ports is 3A @5V.  J4A has full 10Gbps bandwidth available. J4B shares 10Gbps bandwidth with J3	


**RTC Battery**

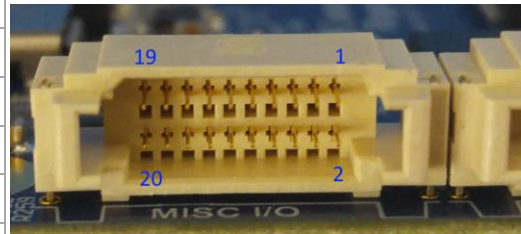
Function	RTC Battery Connector		
Location	P7		
Type	3 pin PicoBlade (vertical)		
Connector PN	53047-0310 - Manufacturer: Molex		
Mating PN	51021-0300 - Manufacturer: Molex		
Pinout	Pin	Signal	Description
	1	+3V	RTC Battery Voltage Input
	2	NC	No Connect
	3	GND	Ground/Return



Rogue for AGX Orin™ allows for an external RTC battery to be connected. This battery should be a 3V DC battery, and it will hold settings including date and time. For further information about RTC battery selection and life time estimation, see Application Note 00009: <https://connecttech.com/pdf/CTIN-00009.pdf>

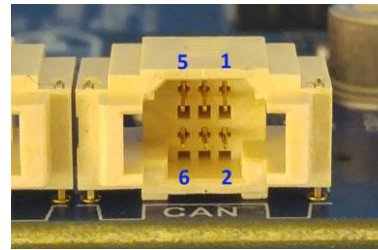
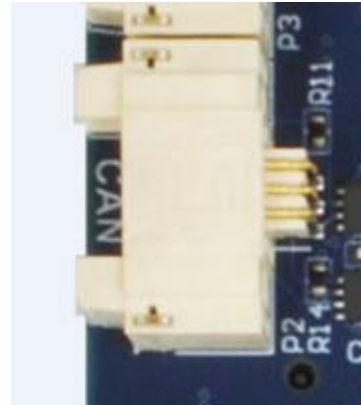
**MISC I/O Connector**

Function	2x Serial (TTL), 1x I2C, 1x SPI, 4x GPIO	
Location	P3	
Type	20 Pin	
Connector	Part Number: T1M-10-GF-DH Manufacturer: Samtec	
Mating Cable	S1SD-10-28-GF-xxx	
Pinout	Connector Pins	Description
	1	UART1 TX
	2	UART2 TX
	3	UART1 RX
	4	UART2 RX
	5	I2C SCL
	6	UART2 RTS#
	7	I2C SDA
	8	UART2 CTS#
	9,10,11,12	GND
	13	GPIO0 (PWM03)
	14	SPI CLK
	15	GPIO1 (GPIO04)
	16	SPI MOSI
	17	GPIO2 (GPIO05)
	18	SPI MISO
	19	GPIO3 (GPIO08)
	20	SPI CS#
Notes	This interface provides 3.3V capable generic I/O including: <ul style="list-style-type: none"> <li>• UART1 under /dev/ttyTHS0 UART2 under /dev/ttyTHS1</li> <li>• I2C under i2c-0</li> <li>• SPI under /dev/spidev0.0</li> <li>• x4 GPIO under gpiochip2</li> </ul> For more information on I2C usage, please click <a href="#">here</a> . For more information on GPIO usage, please click <a href="#">here</a> .	



### CAN Bus Connector

Function	2x Non-Isolated CAN Bus	
Location	P2	
Type	6 Pin	
Connector	Part Number: T1M-03-GF-DH Manufacturer: Samtec	
Mating Cable	S1SD-03-28-GF-xxx	
Pinout	Connector Pins	Description
	1	CAN0_H
	2	CAN1_H
	3	CAN0_L
	4	CAN1_L
	5	GND
6	GND	
Notes	This interface provides two Non-Isolated CAN Bus interfaces.	



### CAMERA Expansion Connector

Function	8 MIPI CSI-2 Camera Interfaces + I2C and GPIO Control			
Location	P1			
Type	120 Pin QSH with M2.5, 5mm mounting standoffs			
Default	Part Number: QSH-060-01-L-D Manufacturer: Samtec			
Mating Connector	QTH			
Pinout	Pin #	Description		Pin #
	1	CSI0_D0_P	CSI1_D0_P	2
	3	CSI0_D0_N	CSI1_D0_N	4
	5	GND	GND	6
	7	CSI0_CLK_P	CSI1_CLK_P	8
	9	CSI0_CLK_N	CSI1_CLK_N	10
	11	GND	GND	12
	13	CSI0_D1_P	CSI1_D1_P	14
15	CSI0_D1_N	CSI1_D1_N	16	



17	GND	GND	18
19	CSI2_D0_P	CSI3_D0_P	20
21	CSI2_D0_N	CSI3_D0_N	22
23	GND	GND	24
25	CSI2_CLK_P	CSI3_CLK_P	26
27	CSI2_CLK_N	CSI3_CLK_N	28
29	GND	GND	30
31	CSI2_D1_P	CSI3_D1_P	32
33	CSI2_D1_N	CSI3_D1_N	34
35	GND	GND	36
37	CSI4_D0_P	CSI6_D0_P	38
39	CSI4_D0_N	CSI6_D0_N	40
41	GND	GND	42
43	CSI4_CLK_P	CSI6_CLK_P	44
45	CSI4_CLK_N	CSI6_CLK_N	46
47	GND	GND	48
49	CSI4_D1_P	CSI6_D1_P	50
51	CSI4_D1_N	CSI6_D1_N	52
53	GND	GND	54
55	<b>+12V</b>	<b>+12V</b>	56
57	<b>+12V</b>	<b>+12V</b>	58
59	CSI5_D0_P	CSI7_D0_P	60
61	CSI5_D0_N	CSI7_D0_N	62
63	GND	GND	64
65	CSI5_CLK_P	CSI7_CLK_P	66
67	CSI5_CLK_N	CSI7_CLK_N	68
69	GND	GND	70
71	CSI5_D1_P	CSI7_D1_P	72
73	CSI5_D1_N	CSI7_D1_N	74
75	I2C3_SCL	CAM_ERROR1	76
77	I2C3_SDA	PWM1/CAM_BL	78
79	GND	GND	80
81	+2.8V	+2.8V	82
83	+2.8V	CAM_ERROR3	84
85	FSYNC1	PWM2	86

	87	I2C2_SCL	CAM_MCLK3	88
	89	I2C2_SDA	CAM1_PWDN	90
	91	CAM_MCLK2	CAM1_RST#	92
	93	CAM0_PWDN	CAM_MCLK4	94
	95	CAM0_RST#	FRSYNC4	96
	97	FRSYNC3	FRSYNC2	98
	99	GND	GND	100
	101	NC	1.8V	102
	103	CAM_INT3	CAM_INT4	104
	105	I2C5_SCL	CAM_INT2	106
	107	I2C5_SDA	3.3V	108
	109	NC	3.3V	110
	111	CAM_SPI_SCK	CAM_SPI_MOSI	112
	113	CAM_SPI_CS0	CAM_SPI_MISO	114
	115	GND	GND	116
	117	CAM_INT1	3.3V	118
	119	CAM_VDD_SYS_EN	3.3V	120
Notes	<p>Only 6 of the CSI2 interfaces can be used at once in 2 lane configuration. Only 4 interfaces when using 4 lane configuration.</p> <p>All non-CSI-2 I/O is 1.8V levels.</p> <p><b>CAUTION!</b> – The 12V pins shown above differ from that of the NVIDIA® dev kit pinout.</p> <p>This 12V power can be used for Camera expansion requirements up to 2A @12V.</p>			

**M.2 E-Key – WiFi and Bluetooth Expansion port**

Function	M.2 E-Key Expansion port
Location	P10
Type	75 Pin M.2 Connector with M2.5 mounting standoff
Connector	Part Number: 2199230-4 Manufacturer: TE
Mating Cable	N/A
Pinout	As per the M.2 E-Key specification
Notes	This port contains a x1 PCIe Gen 4 interface and one USB 2.0 interface. Support for M.2 2230 sizes only.



**Fan Connector (12V)**

Function	Fan control for XHG306	
Location	P11	
Type	4 pin PicoBlade (right angled)	
Connector	Part Number: 53261-0471 Manufacturer: Molex	
Mating Connector	Part Number: 51021-0400 (housing), 50058-8000 (contact) Manufacturer: Molex	
Pinout	Connector Pins	Description
	1	GND
	2	12V Power
	3	TACH from fan to module
	4	PWM from module to fan
Notes	<b>Installation note:</b> This Fan connection is specifically for 12V fans ONLY. Forcing a connection of a 5V fan will result is a damaging the card and/or the fan.	





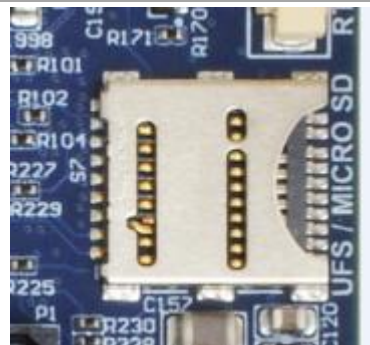
### External Switch Access Connector

Function	External Switch Access (Power, Reset, Force Recovery)	
Location	P12	
Type	4 pin PicoBlade (vertical)	
Connector	Part Number: 53047-0410 Manufacturer: Molex	
Mating Connector	Part Number: 51021-0400 (housing), 50058-8000 (contact) Manufacturer: Molex	
Pinout	Connector Pins	Description
	1	GND
	2	Force_Recovery_BTN#
	3	Reset_BTN#
	4	Power_BTN#
Notes	To activate any of the features, momentarily connect the signal the GND provided on the connector using momentary close switches only.	



### Micro SD Card Expansion port

Function	Micro SD or UFS Card Expansion
Location	S7
Type	19 Pin Multi card connector
Connector	Part Number: 10101704J6#2A Manufacturer: Amphenol
Mating Cable	N/A
Pinout	As Per the micro SD Specification



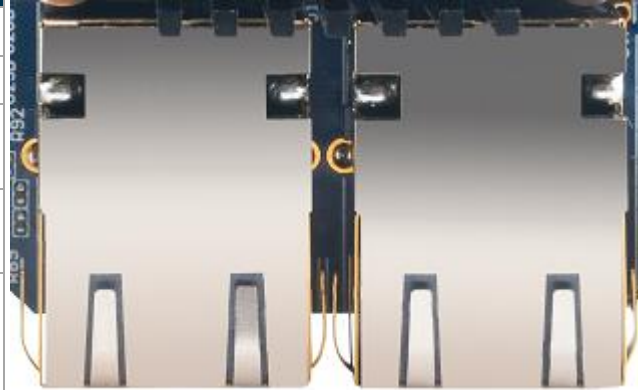
### HDMI Video Output

Function	HDMI Display Output
Location	P5
Type	19 Pin Multi card connector
Connector	Part Number: 2013978-1 Manufacturer: TE
Mating Cable	Standard HDMI cable
Pinout	As per the HDMI Specification
Notes	Outputs are capable of a resolution up to 3840x2160 @60Hz.



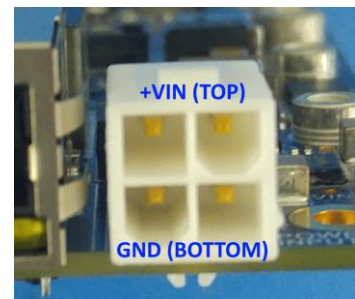
### GBE RJ45 Connectors

Function	GBE Network Connectivity	
Location	J1A, J1B	
Type	8 pin RJ45 with integrated Magnetics	
Connector	Part Number: 7499611422 Manufacturer: Würth	
Mating Cable	Standard RJ45 Cat 5e	
Pinout	As per the IEEE-802.3 specification	
Notes	Both Channels go through AQR113 PHYs Originating from MGBE0 and MGBE1 on the AGX Orin™ Module.	



### POWER Connector

Function	Input Power	
Location	P6	
Type	4 Pin Molex Mini-Fit Jr.	
Connector	Part Number: 39-30-1042 Manufacturer: Molex	
Mating Cable	ATX 4 pin Mini Fit Jr	
Pinout	Connector Pins	Description
	1	GND
	2	GND
	3	+VIN
	4	+VIN
Notes	Voltage Input is <b>12V ONLY</b> with input reverse polarity protection. Note that this connector is compatible with a 12V 4pin ATX Power supply connection.	



**POWER Mode Select Switch**

Function	Power Mode selection			
Location	S1			
Type	4 SPST dip switch			
Connector	Product is shipped with all switches OFF, the default is Auto On/Module Controlled mode.			
Mating Cable	Switch	Description	ON	OFF
	S1-1	Auto or Manual Power On (PWR MODE)	Manual Power On	Auto
	S1-2	Module Present Detect (MOD PRSNT) – Debug ONLY	DO NOT USE	Module controlled
	S1-3	Carrier Power On (CARR ON) - Debug ONLY	DO NOT USE	Module controlled
	S1-4	EEPROM Write Protect (EEPROM WP) – Debug ONLY	DO NOT USE	Default
Notes	<p><b><u>S1-1</u></b>  <b>AUTO Power ON Mode behavior</b></p> <ol style="list-style-type: none"> <li>1) Upon applying power the system boots immediately.</li> <li>2) Upon requesting a Software shutdown from the OS, the system will reboot after the shutdown completes without cycling power.</li> <li>3) Upon a Power Button Event ( &gt; 500 ms but &lt; 10 secs) the system OS will prompt with the Restart/Shutdown pop-up menu (only applicable in the GUI).</li> <li>4) Upon a Power Button Event ( &gt; 10 secs) the system OS will prompt with the Restart/Shutdown menu (only applicable in the GUI). Note that the system will <b>NOT</b> shutdown.</li> </ol> <p><b>Manual Power ON Mode behavior</b></p> <ol style="list-style-type: none"> <li>1) Upon applying power the system will sit in standby, awaiting a ( &gt; 500ms) Power Button Event.</li> <li>2) Upon requesting a Software shutdown from the OS, the system will return to standby and await a new Power Button Event ( &gt; 500ms).</li> <li>3) Upon a Power Button Event while operating ( &gt; 500 ms but &lt; 10 secs) the system OS will prompt with the Restart/Shutdown menu (only applicable in the GUI).</li> <li>4) Upon a Power Button Event while operating ( &gt; 10 secs) the system will perform a hard shutdown immediately and return to the Power On standby state awaiting a new Power Button Event.</li> </ol>			



### Push Button Switches

Function	Power/Reset/Force Recovery Buttons
Location	S3, S6, S5
Type	Momentary Push button micro switches
Function	<p>Power ON switch (S3): a press of &gt;500ms when in manual mode will trigger system to power ON.</p> <p>Reset Switch (S6): a press of &gt;500ms will trigger a full system Reset.</p> <p>Force Recovery (S5): No function during normal operation. Will place the AGX Orin™ Module into Force Recovery Mode when held during power ON.</p>



## TYPICAL INSTALLATION

1. Ensure all external system power supplies are off.
2. Install the Jetson AGX Orin™ Module onto the Molex Mirror Mezz™ Connector. Be sure to follow the manufacturer’s directions for proper installation of mounting hardware, heatsink/heatspreader, and any other applicable requirements from the manufacturer.
3. Install the necessary cables for application. At a minimum these would include:
  - a) Power cable to the input power connector on the carrier
  - b) HDMI video display cable
  - c) Keyboard and mouse via USB

For additional information on the relevant cables, please see the Cables and Interconnects section of this manual.

4. Connect the Power Cable to the Power Supply.
5. Switch ON the Power Supply. DO NOT power up your system by plugging in live power.

## SOFTWARE

For L4T (Linux for Tegra) BSPs and Software Support NVIDIA® Jetson™ AGX Orin™ please follow this link: <https://connecttech.com/resource-center/l4t-board-support-packages/>

## FORCE RECOVERY MODE

The USB 3.2/OTG Port (J3) on Rogue for AGX Orin™ can be used to reprogram the AGX Orin™ from another host platform running NVIDIA® Jetpack™.

- 1) Power down the system completely. The system power MUST be OFF, not in suspend or sleep mode.
- 2) Connect the OTG USB port to another host device that will be supplying the new system file.
- 3) Hold down the Force Recovery Button (S5) and then power the board.
- 4) After three (3) seconds release the Recovery button.
- 5) The AGX Orin™ will show up on the host system USB list as a new NVIDIA® target device.
- 6) After successfully updating the system software, power off the system. A clean power up will revert the OTG port back into host mode.

## POWER CONSUMPTION

Below is the theoretical maximum stand-alone power consumption of Rogue for AGX Orin™ Carrier with the AGX Orin™ Module installed. (System power)

Theoretical Maximum System power		Watts
AGX ORIN™ Module (MAXN Power Mode)	68W	~150W
2x NVMe	12W	
2x 10GbE	6W	
3x USB 3.1 Gen 2 fully loaded (2x3A, 1x1.5A)	37.5W	
3x Camera (12V2A through MIPI exp Connection)	24W	
1x WiFi	2W	

The typical power consumption will vary depending on the application and use case. This table will be updated as use cases are tested to show some common setups and sampled for power consumption.

Measured Maximum System power	Watts
AGX Orin™ (MAXN Power Mode), Running CUDA benchmarks, CPU stress, 1x Display	68W
Idle, AGX Orin™ (MAXn), 1x display	15W

## CABLES

Part No.	Description
<b>CBG310</b>	USB Type-C Male to Type-A Female Cable
<b>CBG311</b>	USB Type-C Male to Type-A Male Cable
<b>CBG247</b>	USB Micro-B Male to Type-A Male cable (UART Coms)
<b>CBG312</b>	MISC IO Breakout Cable (Flying Leads)
<b>CBG313</b>	CAN IO Breakout Cable (Flying Leads)
<b>CBG136</b>	RTC Battery Cable Assembly
<b>CKG064</b>	Rogue Full Cable Kit Including all of the above
<b>MSG098</b>	PSU AC/DC 12V 200W w/ 4-pin Molex Mini-Fit Jr. Plug  Suggested for lab bench use. Confirm PSU derating meets application requirements.
<b>CBG314</b>	Input Power Cable (Discrete Wire) – Included with every AGX202 Carrier.

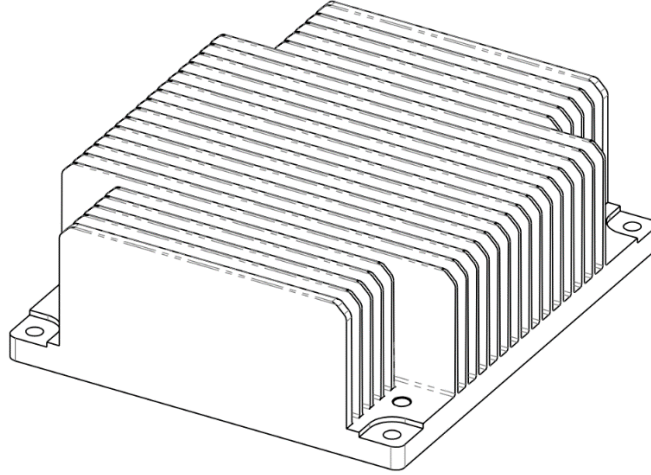
Cable drawings are available upon request. Send an email request to: [support@connecttech.com](mailto:support@connecttech.com)

## MECHANICAL DRAWINGS & MODELS

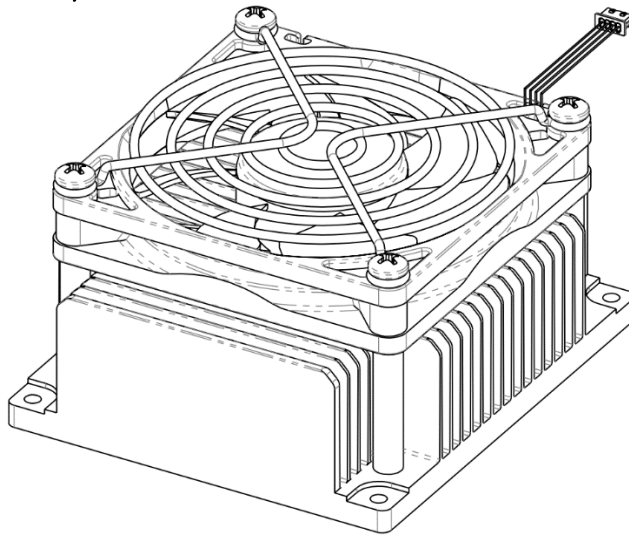
See product page on the Connect Tech Website for latest 3D models or send an email request to: [support@connecttech.com](mailto:support@connecttech.com)

### THERMAL OPTIONS

#### Passive Heatsink (XHG320)

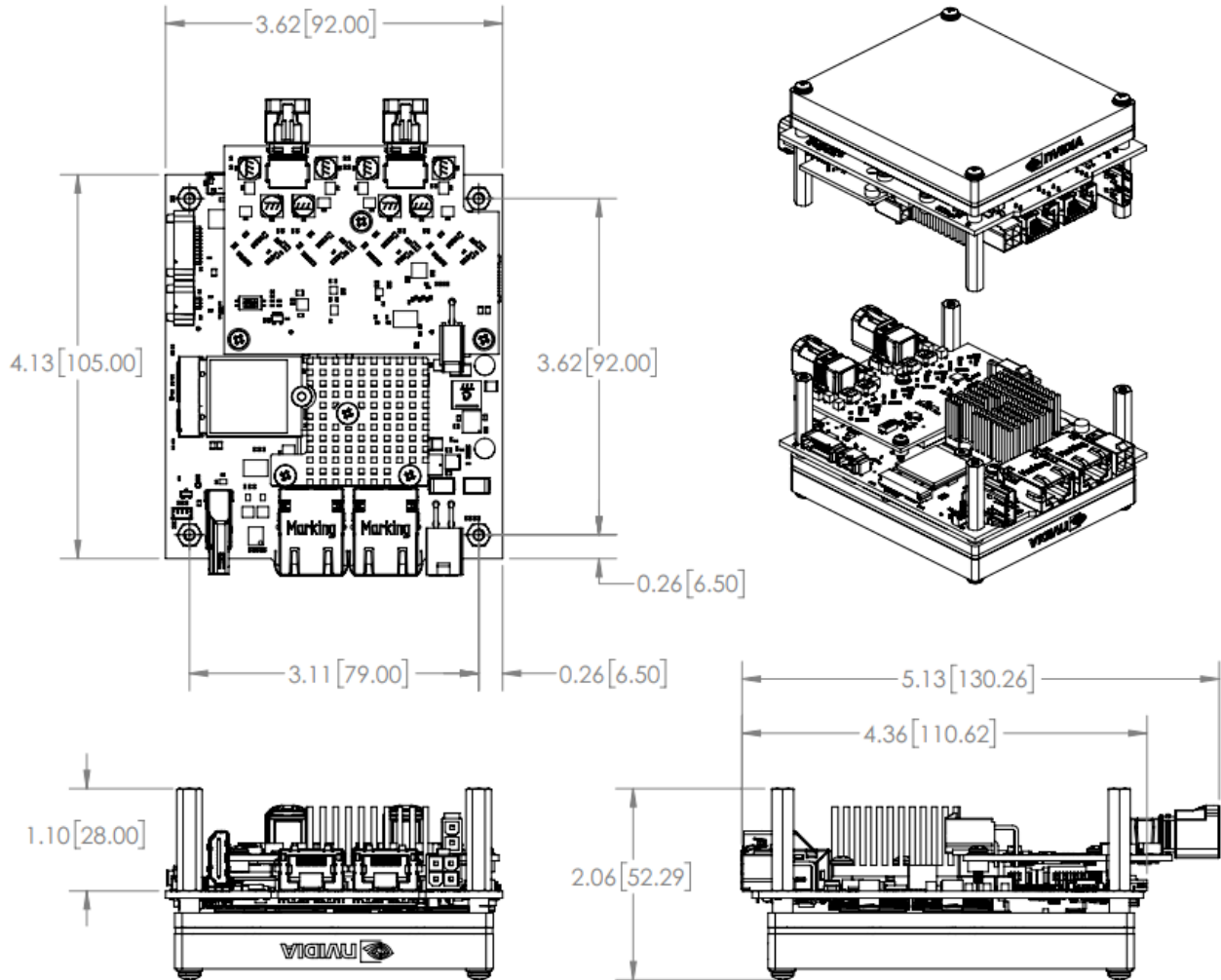


#### Active Heatsink (XHG319)

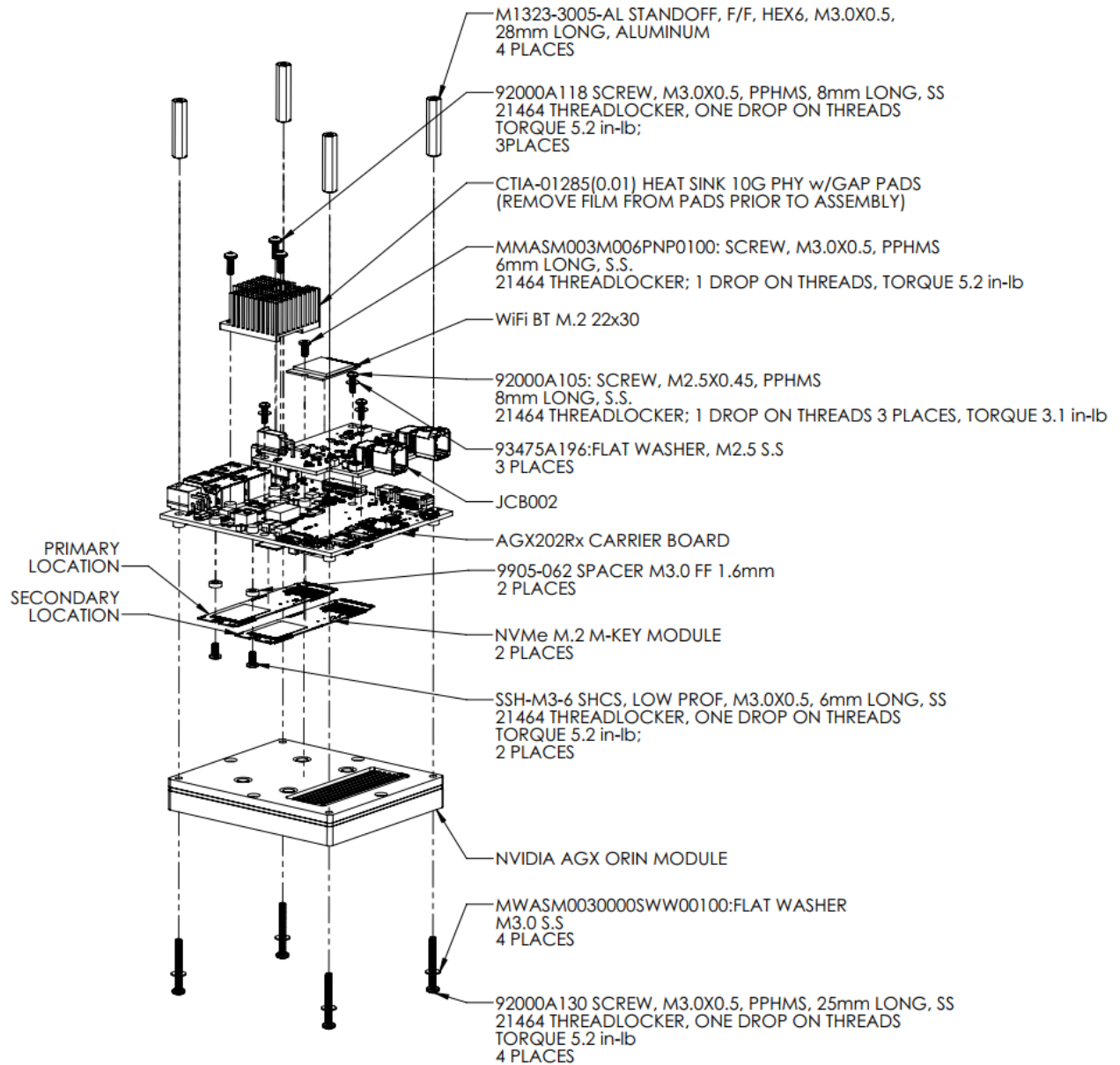


## Assembly drawings

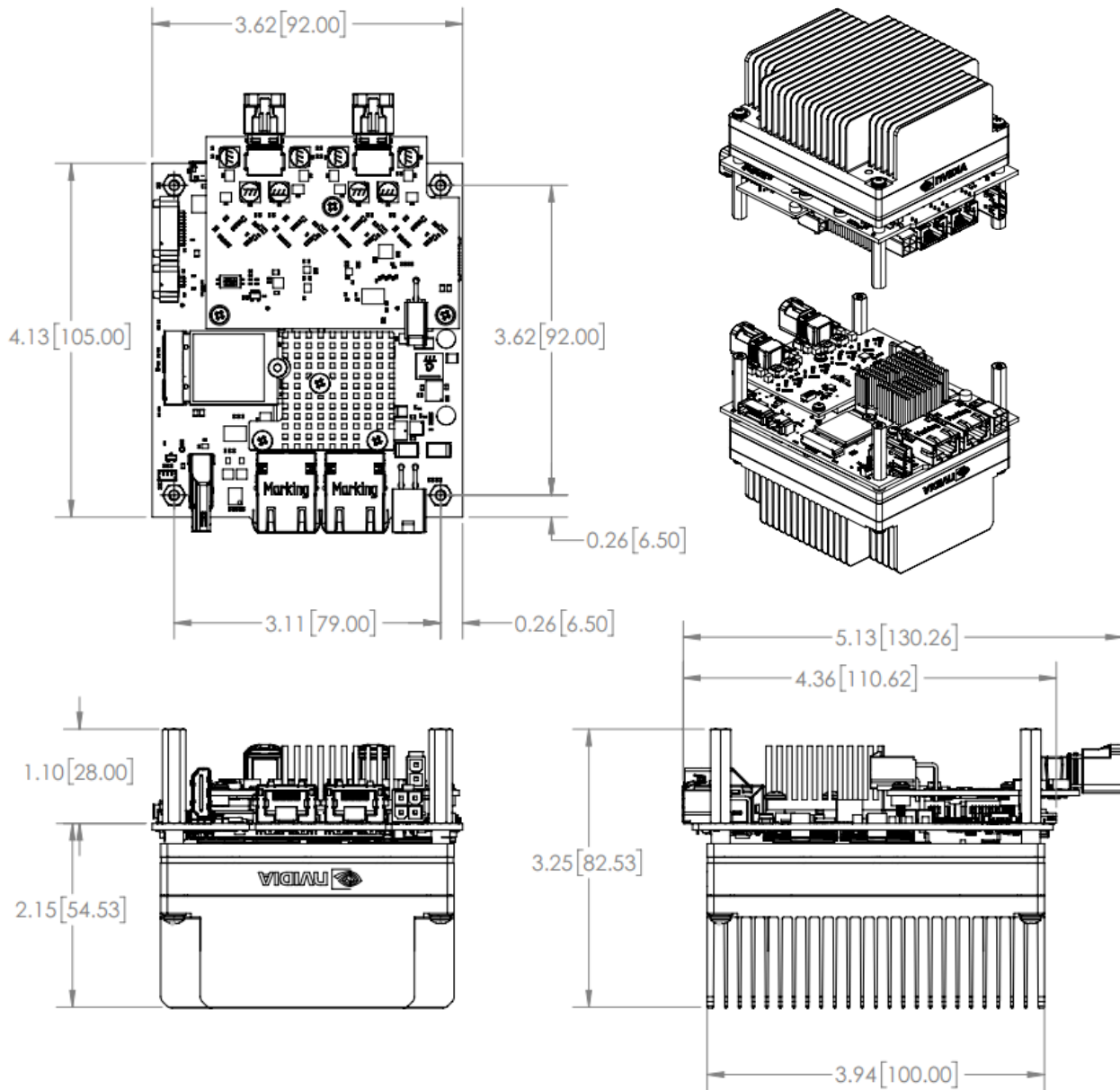
TTP (No-Heatsink)

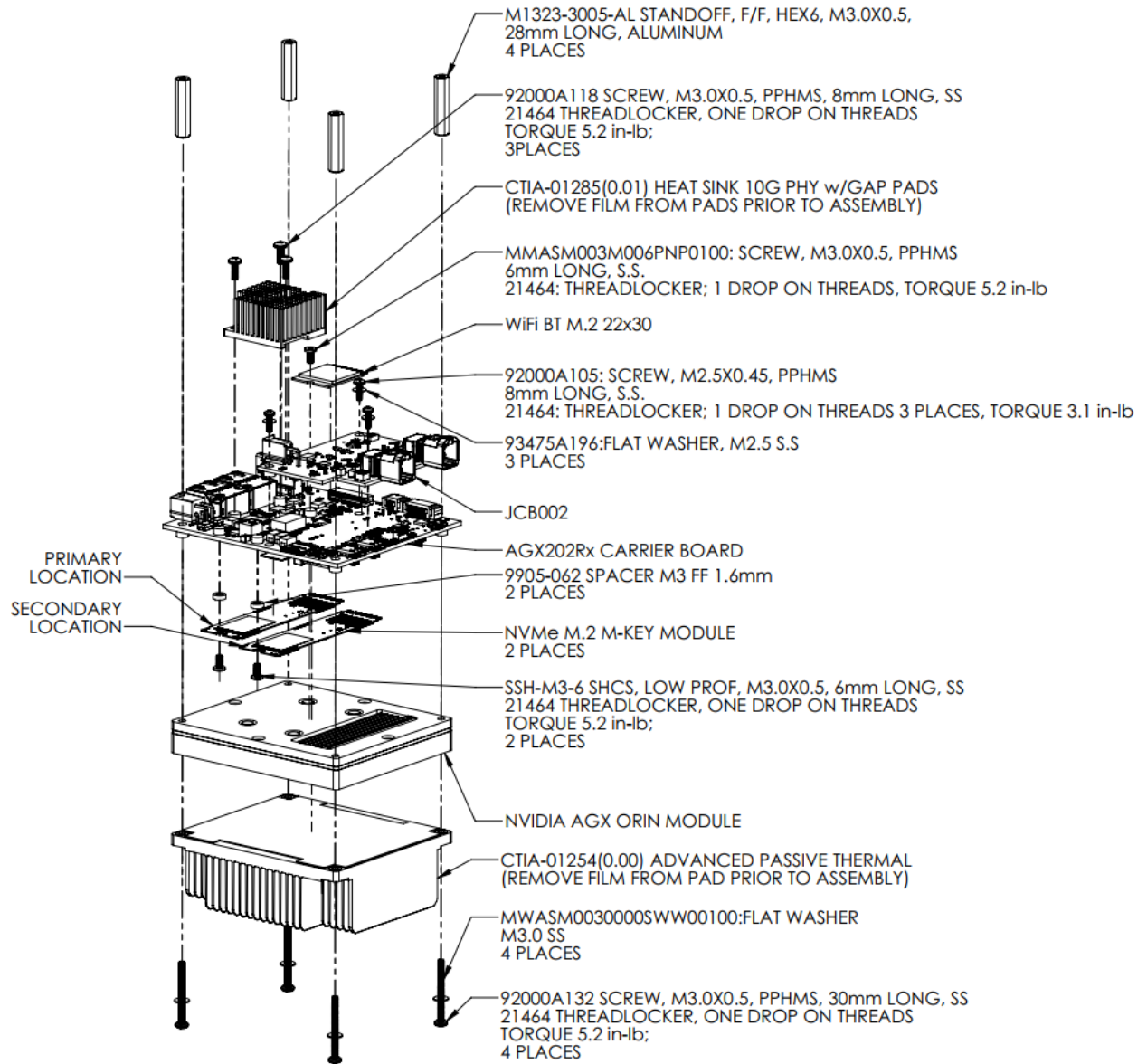






Passive Heatsink





Active Heatsink

