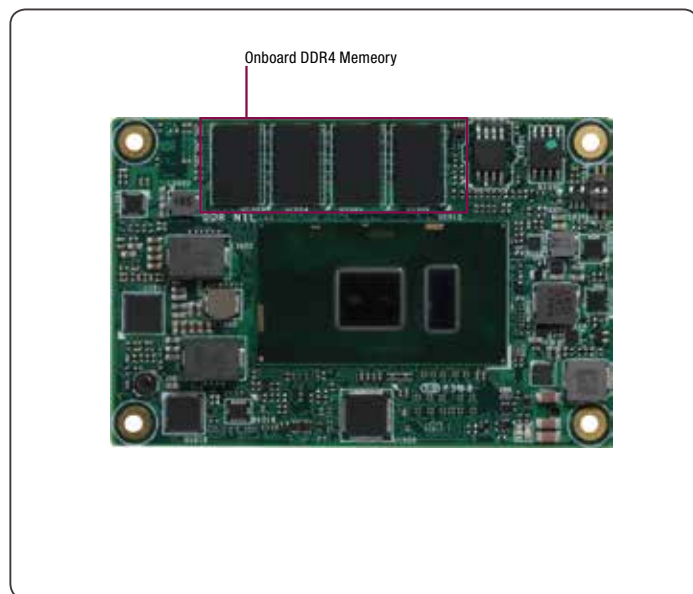


06 NanoCOM-SKU

COM Express Type 10 with Intel® 6th Gen Core™ ULT Series CPU



Features

- Intel® 6th Gen Core™ ULT Series CPU
- Onboard 4GB DDR4 2133 Memory
- Gigabit Ethernet x 1
- 18/24-bit Single-Channel LVDS LCDs/eDP, DDI x 1
- High Definition Audio Interface
- SATA x 2
- USB3.0 x 2, USB2.0 x 8
- PCI-Express [x1] x 4
- GPIO x 8, SMBus, I2C, LPC
- COM Express Type 10
- Mini Size, 84mm x 55mm
- Support Industrial Temperature

Specifications

System	
Form Factor	COM Express Mini size, Type 10
Processor	Intel® 6th Gen U series CPU upto i7-6600U
System Memory	Non-ECC DDR4-2133, 4GB
Chipset	Intel® SoC
Ethernet	Intel® I219 GbE
BIOS	AMI BIOS, Legacy free BIOS
Wake on LAN	Yes
Watchdog Timer	ITE IT8528VG
H/W Status Monitoring	Support CPU temperature monitoring
Expansion Interface	PCIe [x1] x 4, I2C, LPC, SMBus, GPIO
Power Requirement	Normal: +12V
Power Consumption	i7-6600U 12V@1.5A, i3-6100U 12V@1.42A. Under 100% loading. CPU Set to 15W TDP. CPU base frequency may change accordingly.
Board Size	84mm x 55mm
Operation Temperature	32°F~ 140°F (0°C ~ 60°C) -40°F~ 185°F (-40°C ~ 85°C)
Storage Temperature	-4°F ~ 158°F (-20°C ~ 70°C)
Operation Humidity	0% ~ 90% relative humidity, non-condensing
MTBF	80,000
Display	
Chipset	Onboard 6th Gen. intel® Core™ U-Series Processor, GT2
Graphic Engine	LVDS/eDP, DDI x 1
LVDS Interface	Supports 18bit and 24bit Single channel
I/O	
Storage	SATA 6.0 Gb/s x 2
USB	USB3.0 x 2, USB2.0 x 8
Audio	HD Audio x 1
GPIO	8-bit
Serial Port	2-wire UART x 2 (TX/RX)



Packing List

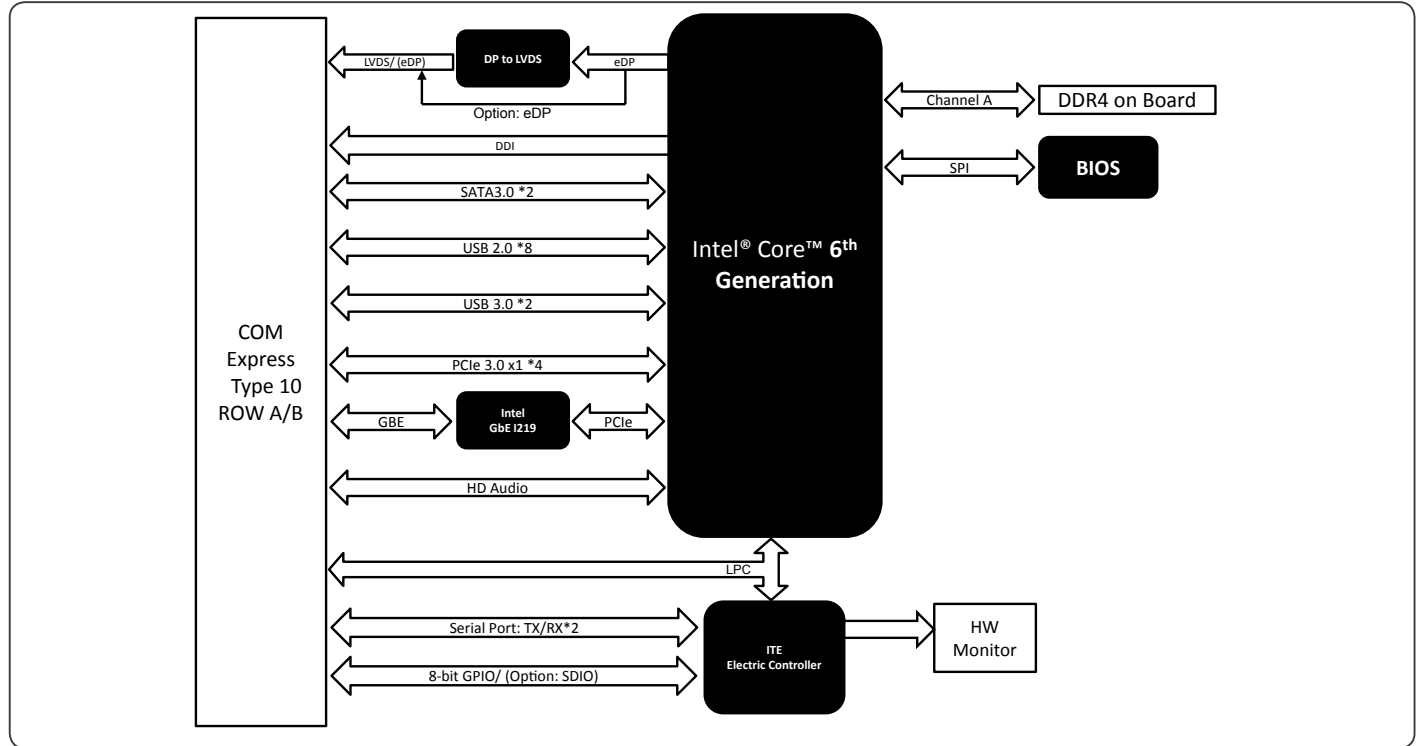
- Screws
- DVD
- NANOCOM-SKU

Optional Accessories

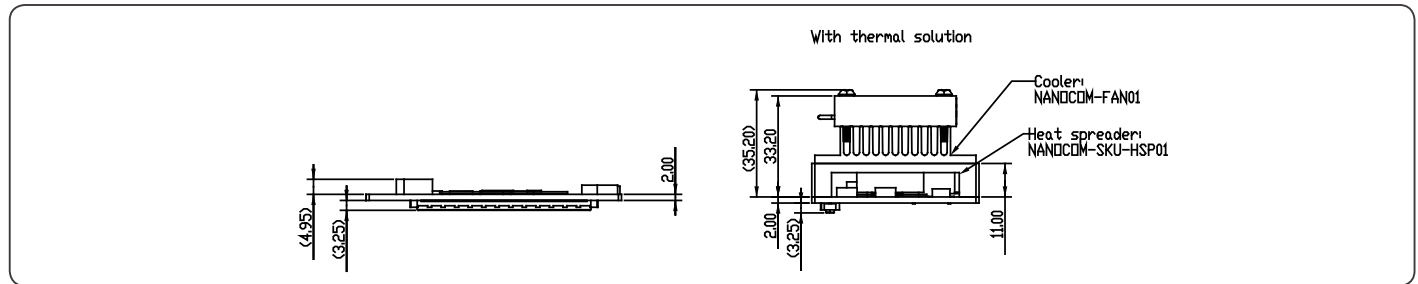
- **ECB-920A-A10-0001**
COMe Type 1/6/10 Carrier Board, ATX, GbE, 8 USB, 2 COM, 4 SATA, PCIe, AT/ATX, Legacy Free, Rev. A1.0
- **NANOCOM-SKU-HSP01**
Heat Spreader, 84 x 55 x 11 mm, Black, NanoCOM-SKU
- **NANOCOM-FAN01**
CPU Cooler, 84 x 55 x 22.2 mm, Silver use w/ HSP

NanoCOM-SKU

Block Diagram Unit: mm



Dimension Unit: mm



Ordering Information

Standard Part Number	COM Express Type	CPU	Memory	Display	LVDS	Storage	LAN	USB	UART	Expansion Slot	Power	Power Temp	Others
NANOCOM-SKU-A10-0001	10 (COM.0 Rev 2.1)	6th Gen. Intel® Core™ i7-6600U 2c/2.6GHz	4GB DDR4	LVDS/(eDP), DDI x1	18/24b 1CH (LVDS share with eDP)	SATA x2	GbE x1	USB3.0 x2 USB2.0 x8	2 (Tx/Rx)	PCI-E[x1] x4	12V	0°C–60°C	I2C, SMBus, 8b-GPIO/(SDIO)
NANOCOM-SKUW2-A10-0001	10 (COM.0 Rev 2.1)	6th Gen. Intel® Core™ i7-6600U 2c/2.6GHz	4GB DDR4	LVDS/(eDP), DDI x1	18/24b 1CH (LVDS share with eDP)	SATA x2	GbE x1	USB3.0 x2 USB2.0 x8	2 (Tx/Rx)	PCI-E[x1] x4	12V	-45°C–85°C	I2C, SMBus, 8b-GPIO/(SDIO)
NANOCOM-SKU-A10-0003	10 (COM.0 Rev 2.1)	6th Gen. Intel® Core™ i3-6100U 2c/2.3GHz	4GB DDR4	LVDS/(eDP), DDI x1	18/24b 1CH (LVDS share with eDP)	SATA x2	GbE x1	USB3.0 x2 USB2.0 x8	2 (Tx/Rx)	PCI-E[x1] x4	12V	0°C–60°C	I2C, SMBus, 8b-GPIO/(SDIO)

CPU Support Chart

CPU	Base Frequency/ Turbo Boost GHz	Core/ Thread	Last level Cache	TDP	Graphic
i7-6600U	2.6/3.4	2/4	4M	15W	GT2 - 520
i5-6300U	2.4/3.0	2/4	3M	15W	GT2 - 520
i3-6100U	2.3	2/4	3M	15W	GT2 - 520
C-3955U	2	2/2	2M	15W	GT1 - 510