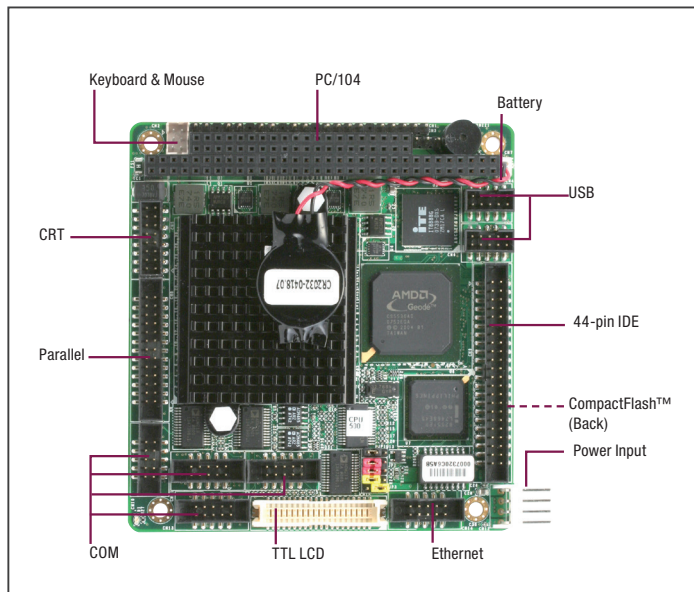


PFM-540I Rev. B

PC/104 Module with AMD Geode™ LX Processor with Intel® LAN Chip

PC/104 Modules



Features

- Onboard AMD Geode™ LX800 Processor
- AMD Geode™ LX800 + CS5536
- DDR 333 MHz SODIMM x 1, Up to 1 GB or DDR 400 MHz SODIMM x 1, Up to 512 MB
- 10/100Base-TX Ethernet x 1
- 18/24-bit TTL LCD Support
- EIDE x 1, CompactFlash™ x 1
- USB2.0 x 4, COM x 4 And Parallel x 1
- PC/104 Expansion
- +5V Only Operation, AT Power Type
- Low Power Consumption

Specifications

System	
Form Factor	PC/104
CPU	Onboard AMD Geode™ LX 800
CPU Frequency	500 MHz
Chipset	AMD Geode™ LX 800 + CS5536
Memory Type	DDR333/400, SODIMM x 1, (512 MB for DDR400)
Max. Memory Capacity	1 GB
BIOS	Award 512 KB
Wake on LAN	Yes
Watchdog Timer	255 Levels
Power Requirement	+5V
Power Supply Type	AT
Power Consumption (Typical)	AMD Geode™ LX 800 500 MHz, DDR400 512 MB, 1.53A@+5V
Dimension (L x W)	3.55" x 3.77" (90mm x 96mm)
Operating Temperature	32°F ~ 140°F (0°C ~ 60°C)
Storage Temperature	-40°F ~ 176°F (-40°C ~ 80°C)
Operating Humidity	0% ~ 90% relative humidity, non-condensing
MTBF (Hours)	100,000
Certification	CE/FCC
Display	
VGA/LCD Controller	AMD Geode™ LX 800
Video Output	CRT, TTL LCD
Backlight Inverter Supply	—
I/O	
Ethernet	Intel® 82551ER, 10/100Base-TX
Audio	—
USB Port	USB2.0 x 4
Serial Port	RS-232 x 3, RS-232/422/485 x 1
Parallel Port	SPP/EPP/ECP x 1
HDD Interface	UDMA33 x 1
FDD Interface	FDD x 1
SSD	CompactFlash™
Expansion Slot	PC/104
PWM LCD Support	—
DIO	—
TPM	—
Touch	—



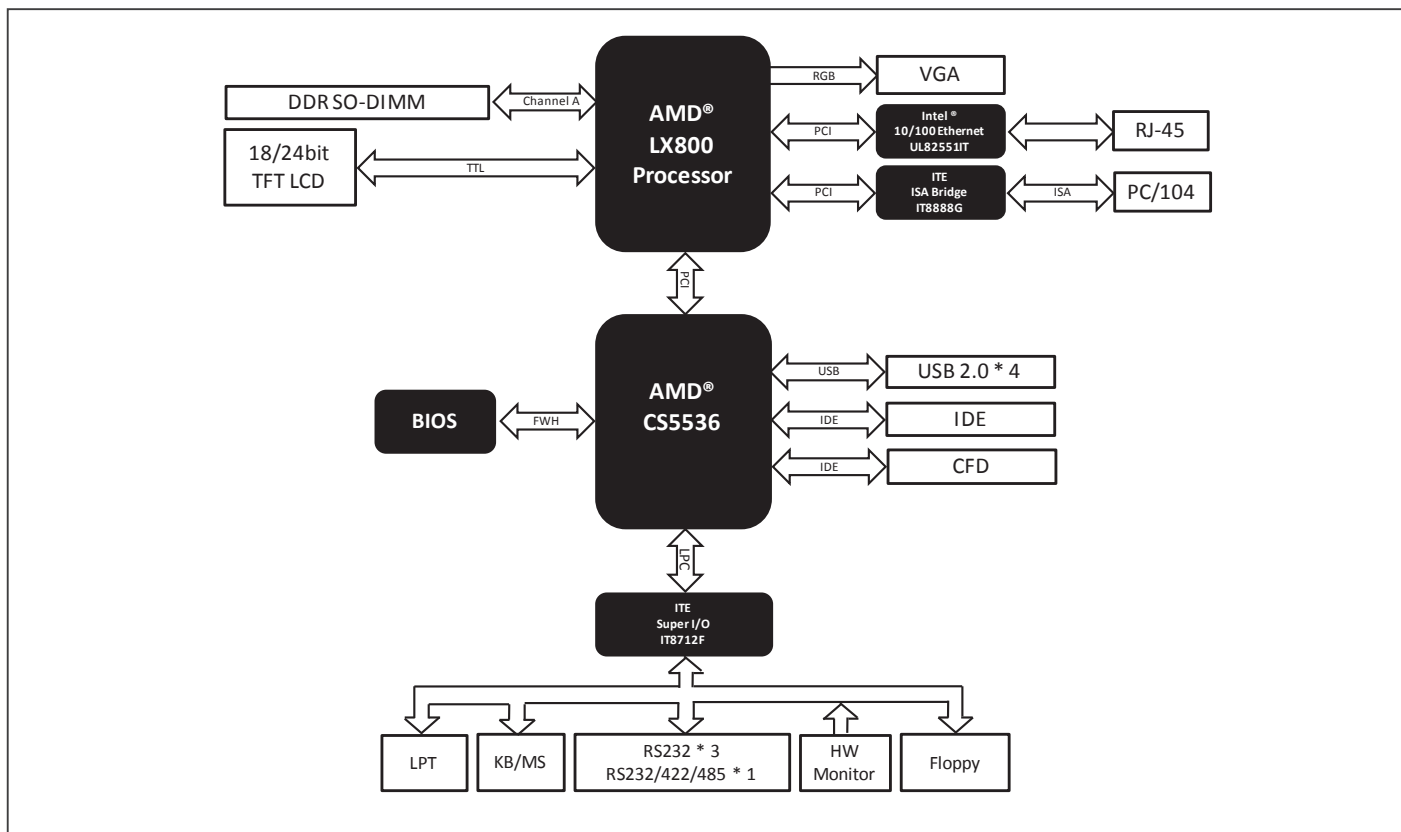
Packing List

- **9681540I02**
Cable Kit for PFM-540I Rev.B
 - 1701440350 44-pin IDE Cable x 1
 - 1700060152 Keyboard & Mouse Cable x 1
 - 1709100201 USB Cable x 1
 - 1700160201 VGA Cable, Length 20cm
- **PFM-540I Rev.B**

Optional Accessories

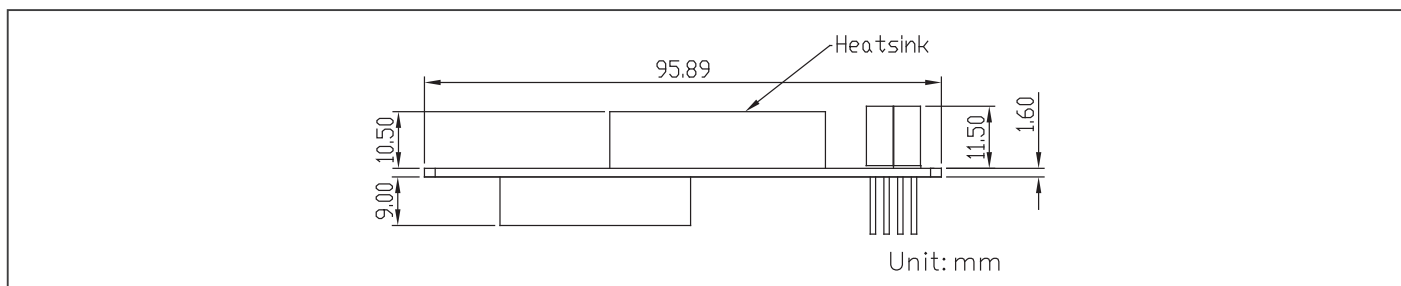
Part Number	Description	Quantity
1701100207	RS-232 Cable	1
1700100200	LAN Cable	1
1701260200	Printer Cable	1
1709100201	USB Cable	1
PCM-3538T-A10	TTL to LVDS Transmitter Module Rev. A1.0	1

Block Diagram



Dimension

Unit: mm



Ordering Information

Part Number	CPU	RAM	Fan/Fanless	Storage	Display	LVDS	LAN	USB	RS-232	RS-232/422/485	Parallel	Expansion Slot	Power	Temp.
TF-PFM-540I-B10	AMD Geode™ LX800	SODIMM	Fanless	EIDE x 1, CompactFlash™ x 1	CRT + TTL	18/24b, 1Ch	FE x 1	4	3	1	1	PC/104	+5V/AT	0°C ~ 60°C