

ACK-A004E

Embedded 3.5" SBC Chassis for MIO-5250, MIO-5251, MIO-5271



Features

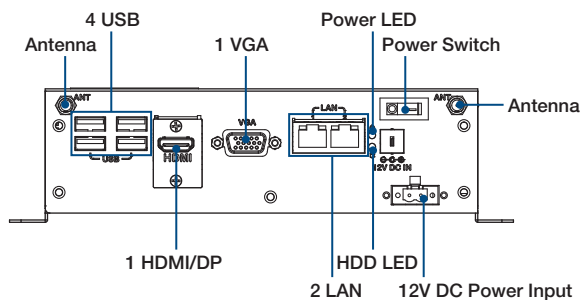
- 3.5" SBC chassis supports front & rear I/O interfaces
- Fanless system with wall-mount & desk mount support; mounting flange is removable
- Bottom door for access Memory, mPCIe module, mSATA, 2.5" HDD
- Flexible cutouts I/O in the rear bezel up to 4 x COM, 2 x USB, audio, and RJ45
- Easy assembling & maintenance of 2.5" hard disk
- Supports dedicated Advantech 3.5" SBC: MIO-5250, MIO-5251, MIO-5271



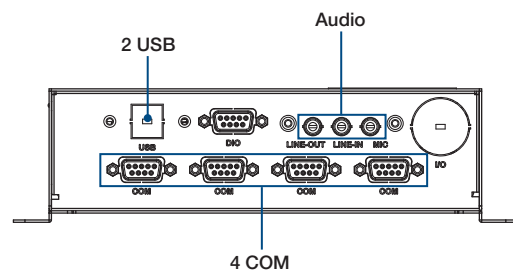
Specifications

Disk Drive Bay	2.5" (Internal)	with MIO-5250	with MIO-5251	with MIO-5271
Front I/O Openings	USB	4 (4 x USB2.0)	4 (3 x USB2.0, 1 x USB 3.0)	4 (2 x USB2.0, 2 x USB 3.0)
	RJ45	2	2	2
	VGA	1	1	1
	HDMI/DP	1 HDMI	1 HDMI/DP	1 HDMI/DP
	Antenna	2	2	2
Rear I/O Openings	COM	4 (2 x RS232, 2 x RS232/422/485)	4 (2 x RS232, 2 x RS232/422/485)	4 (2 x RS232, 2 x RS232/422/485)
	USB	2	2	2
	Audio	1 (Line out, Line-in, Mic-in)	1 (Line out, Line-in, Mic-in)	1 (Line out, Line-in, Mic-in)
	DIO	1	1	1
	Circular cutouts	1 (Reserved for LVDS, PS/2 & LPT cable)	1 (Reserved for LVDS, PS/2 & LPT cable)	1 (Reserved for LVDS, PS/2 & LPT cable)
Miscellaneous	LED Indicators	Power, HDD		
	Control	Power switch		
Environment	Operating	0 ~ 40° C (32 ~ 104° F), w/o system fan w/ 0.7m/s airflow	0 ~ 40° C (32 ~ 104° F), w/o system fan w/ 0.7m/s airflow	0 ~ 40° C (32 ~ 104° F), w/ System Fan
	Non-operating	- 20 ~ 60° C (- 4~140° F)	- 20 ~ 60° C (- 4~140° F)	- 20 ~ 60° C (- 4~140° F)
	Relative Humidity	40° C @ 95%, Non-Condensing, operating 60° C @ 95%, Non-Condensing, non-operating		
	Vibration (5-500Hz)	1Grms (w/o 2.5" HDD), IEC 60068-2-24		
	Shock	10G, IEC 60068-2-27, half sine (w/o 2.5" HDD)		
	Certification	EMC CE/FCC Class A		
Physical Characteristics	Mounting	Desk/Wall-mounting, VESA mounting(by request), Din rail mounting (by request)		
	Dimensions (W x H x D)	System dimension : 188 x 54 x 150 mm System dimension with mounting bracket : 219 x 58 x 150 mm		
	Weight	1.11kg (2.44 lb)		

Front View

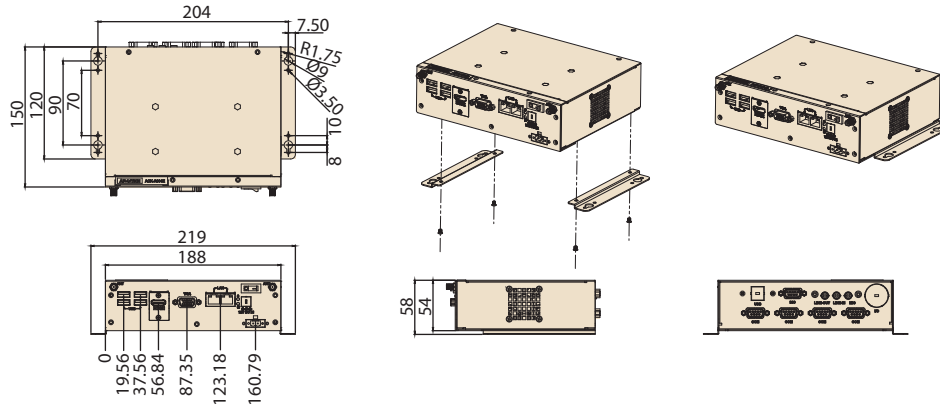


Rear View

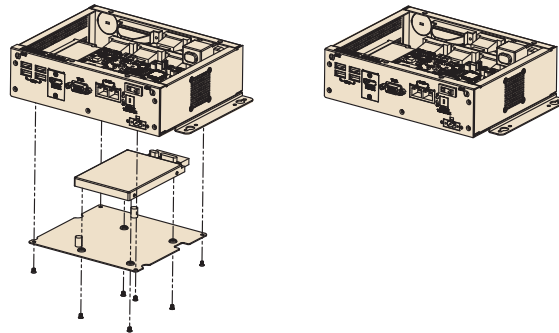


Dimensions

Unit: mm



Installation



Ordering Information

Part number	Recommended 3.5" SBC	Power Supply	Power cable	Regulation
ACK-A004E-01A1E	MIO-5251	1757003996 / 96PSA-A60W12P2-1	Required , refer to optional accessories	CE , FCC
ACK-A004E-02A1E	MIO-5250	1757003996 / 96PSA-A60W12P2-1	Required , refer to optional accessories	CE , FCC
ACK-A004E-03A1E	MIO-5271	1757003996 / 96PSA-A60W12P2-1	Required , refer to optional accessories	CE , FCC

Power Supply Options

Part Number	Watt	Input	Output	Operating Temperature	Dimensions	Safety	MBTF
1757003996	60	AC 100 ~ 240V	DC 12V @ 5 A	0 ~ 40° C (32 ~ 104° F)	110 x 31.5 x 62	CE/FCC/CCC/UL/CB/BSMI/ KC/PSE/GT/GOST R	100,000 hours @ 25° C

Packing List

Part Number	Description	Qty
ACK-A004E	Chassis	1
	Startup manual	1
1910000041	Post , M3x6 ,for M/B	2
1930001241	Screw M3x5 ,for USB cable	2
1930004607	Screw M3x4 ,for HDD	4
1935030500	Screw M3x5 , for M/B	2
1935032000	Screw M3x20 , for M/B	4
1930005414	S/S 10.5L D=5 H=1.75 for Audio Jack	2
193A200001	POST F=#4-40x4L for COM	10
2000017637	Heat sensitive paper 30LX12WX0.1Hmm	1
1990020580S000	Nylon snap rivet , for HDD screw	4
1990020672S000	Plugs MBWK-2	1
1990022958S000	Cable tie	3
2100000535	Dehydrate (5g)	1

Optional Accessories

Part Number	Description
1757003996	DC power 12V/5A 60W, 0 ~ 40° C, w/ Phoneix Jack type power connector
1757003995	DC power 12V/5A 60W, 0 ~ 40° C, w/ DC Jack type power connector
1700009001	A Cable JACK/1*2P-5.0 4.5CM C=R B (Phoneix Jack to DC Jack)
1700001524	Power cable 3-pin 180 cm , USA type
170203180A	Power cable 3-pin 180 cm , UK type
170203183C	Power cable 3-pin 180 cm , Europe type
1700008921	Power cable 3-pin 180 cm , PSE

- Note: 1. DC power and power cable are required for system operation
 2. DC power w/ DC Jack type and A Cable JACK need to bundle together