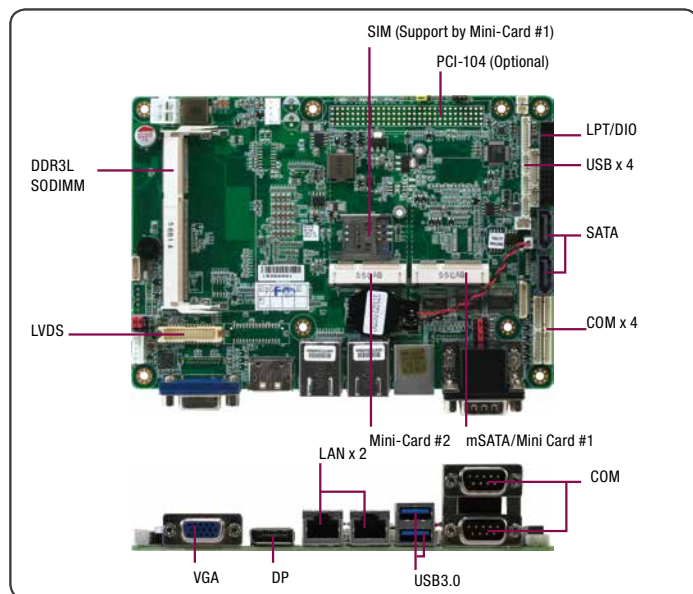


EPIC Board with 5th Generation Intel® Core™ i Series ULT Processor SoC

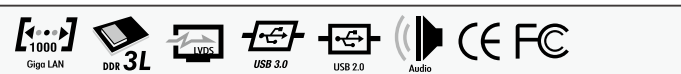


Features

- Onboard 5th Generation Intel® Core™ i Series ULT Processor SoC
- DDR3L 1600 MHz SODIMM x 1, Up to 8 GB
- Gigabit Ethernet x 2, RJ-45 x 2
- VGA, LVDS, DP, LVDS (Optional), eDP (Optional)
- SATA 6.0 Gb/s x 2, mSATA/Mini-Card x 1 (Full Size)
- USB 3.0 x 2, USB 2.0 x 4
- RS-232 x 4, RS-232/422/485 x 2
- Optional Touch Screen, TPM and PCI-104
- Mini-Card x 1, SIM x 1
- 9-24V Operation
- 15W TDP
- SoC Solder Up Design

Specifications

System	
Form Factor	EPIC
CPU	Intel® 5th Generation Intel® Core™ i3/i5/i7 ULT Processor SoC
CPU Frequency	Up to 2.2 GHz
Chipset	5th Generation Intel® Core™ i series ULT Processor SoC
Memory Type	DDR3L 1333/1600, SODIMM x 1
Max. Memory Capacity	Up to 8G
BIOS	UEFI
Wake on LAN	Yes
Watchdog Timer	255 Levels
Power Requirement	+12V or 9-24V AT/ATX (default)
Power Supply Type	AT/ ATX
Power Consumption (Typical)	38.8W
Dimension (L x W)	4.53" x 6.50" (115mm x 165mm)
Operating Temperature	32°F ~ 140°F (0°C ~ 60°C)
Storage Temperature	-40°F ~ 176°F (-40°C ~ 80°C)
Operating Humidity	0% ~ 90% relative humidity, non-condensing
MTBF (Hours)	63,000
Certification	CE/FCC
Display	
VGA/LCD Controller	5th Generation Intel® Core™ i series ULT Processor SoC
Video Output	Triple independent Displays VGA, LVDS, DP, LVDS (Optional), eDP (Optional)
Backlight Inverter Supply	Max. 12V
I/O	
Ethernet	Intel® WGI211AT x 1/ WGI218LM x 1, RJ-45 x 2
Audio	High Definition Audio Interface
USB Port	USB2.0 x 4 USB3.0 x 2
Serial Port	COM: RS-232 x 4 COM2, COM3: RS-232/422/485 x 2 (Ring/+5V/+12V)
Parallel Port	SPP/EPP/ECP x 1
HDD Interface	SATA 3.0 x 2
FDD Interface	—
SSD	mSATA (Share with full-size Mini-Card by BIOS)
Expansion Slot	Mini Card x 1, SIM x 1 PCI-104 (Optional) 16 bit DIO or LPT PS/2 x 1
PWM LCD Support	—
DIO	16 bit
TPM	Optional
Touch	Optional



Packing List

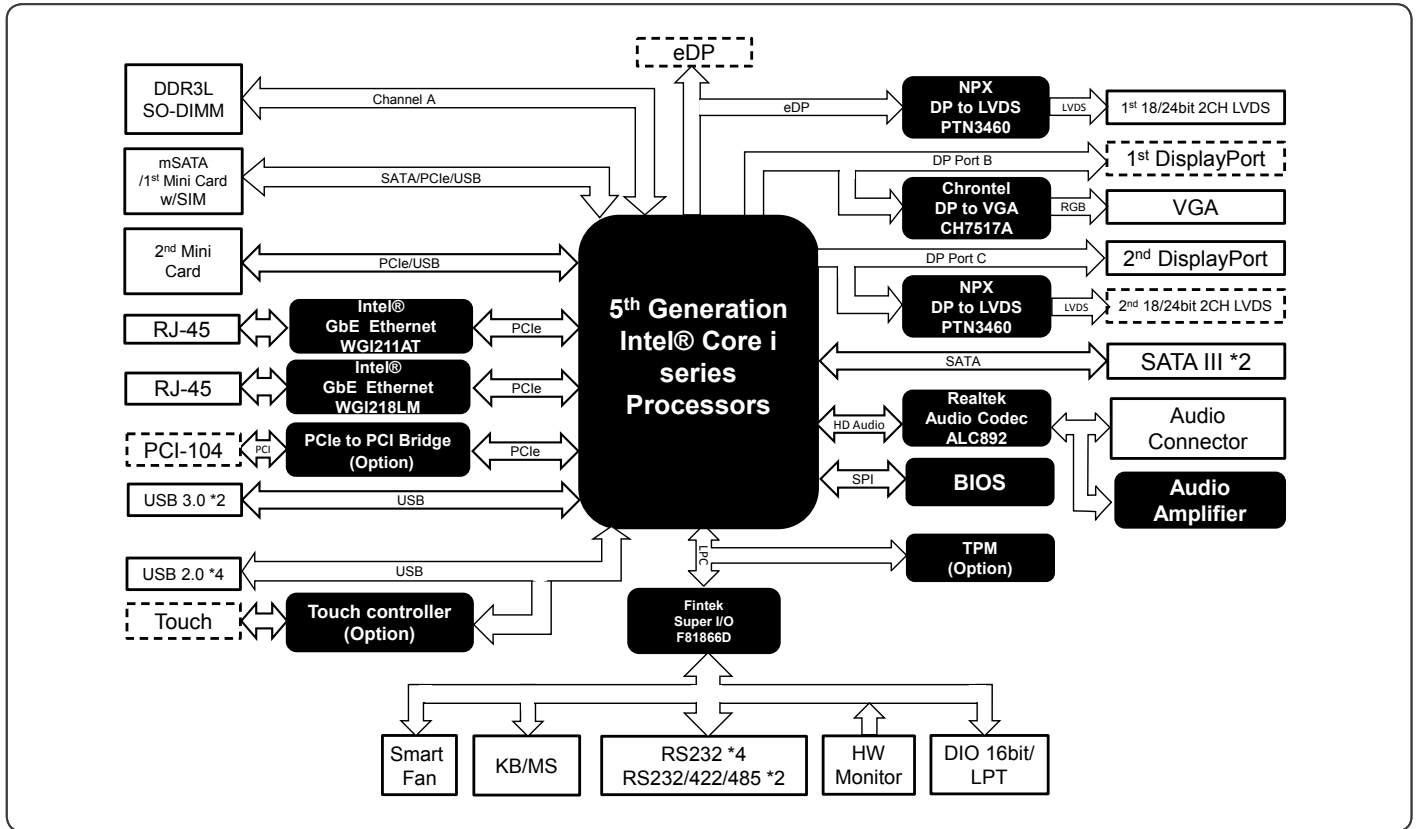
- **1709070500**
SATA Cable, Length 50 cm
- **1702150155**
SATA Power Cable, Length 15 cm
- **M10BDU7000**
Heat Spreader
- **9657666600**
Jumper Cap
- **Product DVD**
- **EPIC-BDU7**

Optional Accessories

Part Number	Description	QTY
1702040151	Power Cable (4pin), Length 15cm (Optional)	1
1702002010	Power Cable (2pin), Length 10cm	1
1709100254	Audio Cable (3pin), Length 25cm	1
1700050207	USB Cable (5pin), Length 20cm	4
1701260200	LPT Cable (25pin), Length 20cm	1
1700060155	PS/2 & KB Cable (6pin), Length 15cm	1
1701090150	COM Cable (9pin), Length 15cm	4
PER-A138	CPU Cooler (Used with heat spreader), the same as PER-A115	1

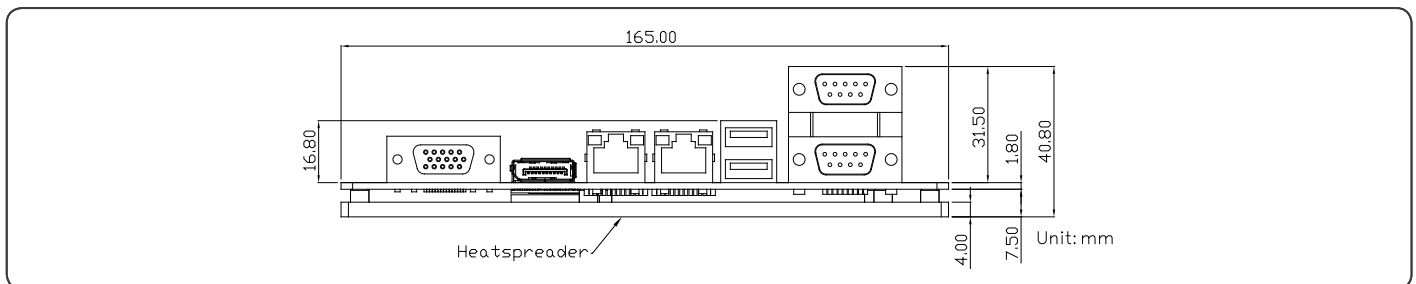
EPIC-BDU7

Block Diagram



Dimension

Unit: mm



Ordering Information

Part Number	CPU	Memory	Thermal	Display	LVDS	Storage	LAN	USB	RS-232	RS-232/422/485	Expansion Slot	Power	Power Temp	Others
EPIC-BDU7-A11-0001	Dual Core i3-5010U (2.1GHz)	DDR3L (Max 8GB)	Heat Spreader	LVDS + CRT + DP	LVDS1 18/24 bit 2CH	SATA x 2, mSATA x 1	GbE x 2	USB3.0 x 2 USB2.0 x 4	4	2	Mini Card x 1	9-24V (ATX)	0°C ~ 60°C	DIO 16-bit, Audio
EPIC-BDU7-A11-0002	Dual Core i5-5350U (1.8GHz)	DDR3L (Max 8GB)	Heat Spreader	LVDS + CRT + DP	LVDS1 18/24 bit 2CH	SATA x 2, mSATA x 1	GbE x 2	USB3.0 x 2 USB2.0 x 4	4	2	Mini Card x 1	9-24V (ATX)	0°C ~ 60°C	DIO 16-bit, Audio
EPIC-BDU7-A11-0003	Dual Core i7-5650U (2.2 GHz, up to 3.1GHz)	DDR3L (Max 8GB)	Heat Spreader	CRT + LVDS + DP	LVDS1 24b 2CH	SATA x 2, mSATA x 1	GbE x 2	USB3.0 x 2 USB2.0 x 4	4	2	Mini Card x 1, SIM x1	9-24V (ATX)	0°C ~ 60°C	DIO 16 bit, Audio
EPIC-BDU7W1-A11-0003	Dual Core i7-5650U (2.2 GHz, up to 3.1GHz)	DDR3L (Max 8GB)	Fanless	CRT + LVDS + DP	LVDS1 24b 2CH	SATA x 2, mSATA x 1	GbE x 2	USB3.0 x 2 USB2.0 x 4	4	2	Mini Card x 1, SIM x1	9-24V (ATX)	WITAS 1 (-20°C~70°C)	DIO 16 bit, Audio

Note: All specifications are subject to change without notice.