

VOX-104-TS Series



VOX-104-TS-D2 with VDX2-6526-512

VOX-104-TS-D3 with VDX3-6726-1G

FEATURES

- 10.4" TFT LCD with Resistive Touchscreen
- VDX2-6526 (800MHz) / VDX3-6726 (1GHz)
- 512MB / 1GB / 2GB System Memory Onboard
- Fanless and Low Power Consumption
- Metal Chassis
- SATA Support



TOUCH

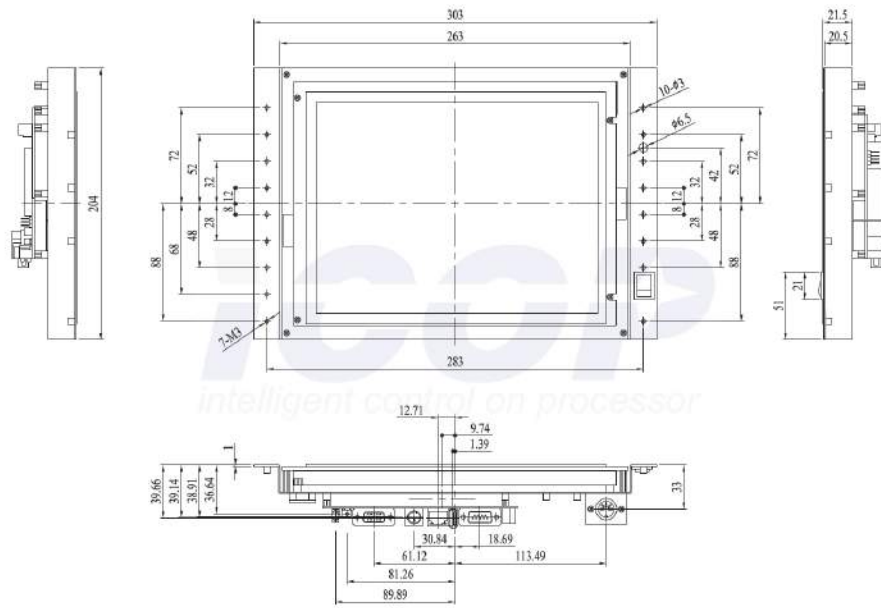


FANLESS

SPECIFICATION

LCD Display	Type	SVGA TFT LCD
	Size	10.4"
	Resolution (Pixel)	800(W) x 600(H)
	Colors	16.2M(8bit)
	View Angle	Vertical 130° / Horizontal 160°
	Brightness	400 cd/m2
	Backlight Life	50,000 hrs
	Contrast Ratio	700 : 1
CPU	DM&P VortexDX2-800MHz / Vortex86DX3-1GHz	
Cache	L1: 16KB I- Cache, 16KB D- Cache / L2: 256KB Cache	
Memory	512MB / 1GB / 2GB Memory Onboard	
Watchdog Timer	Software Programmable from 30.5u to 512 Seconds x 2 Sets	
Serial Port	RS-232 / 485 x 4	
USB Ports	USB Ports (Version 2.0) x 4	
Ethernet	Integrated 10/100M Ethernet & Giga Ethernet x 2	
Audio	HD Audio-Realtek ALC262 CODEC	
Internal Drives	SATA Support	
Touch Screen Type	Analog Resistive	
Bus Interface	PC/104 Standard Compliant	
Power Requirement	+5VDC , +12VDC	
Power Consumption	24W (Max.)	
Operating Temperature	0~+50°C (32~+122°F) / -20~+60°C (-4~+140°F)	
Storage Temperature	-30~ +70°C (-22 ~+158°F)	
Operating Humidity	0% ~ 90% Relative Humidity, Non-Condensing	
Operating System	DOS, Linux, Win CE, Win XP, Win 7, Windows Embedded Standard	
Dimensions	303x204x39.66mm (11.93x8.03x1.56 inches)	
Weight	1,513g	

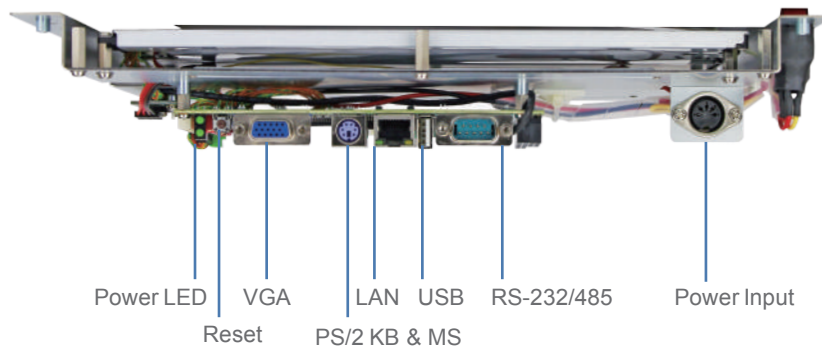
DIMENSIONS



Unit: mm

I/O Overview

VOX-104-TS Side



VOX-104-TS Rear Side

