

UTC-510P-M01E

Magnetic Stripe Card Reader for UTC-510 Series



Specifications

Interface	USB (Cable Length:50cm)
Track Configuration	TRACK 1 / IATA / 210 bpi / 79 Alphanumeric Characters TRACK 2 / ABA / 75 bpi / 40 Numeric Characters TRACK 3 / Thrift / 210 bpi / 107 Numeric Characters
Card Standard	ANSI, ISO, and ABA.
Read Speed	3 ips to 60 ips (7 cm/s to 152 cm/s)
Magnetic Head Life	1,000,000 times (ISO test standard)
OS Support	Android/XP / Win 7 / Window 10 IoT Enterprise
Dimensions	94L x 38W x 22H
Operating Temperature	0 ~ 40° C

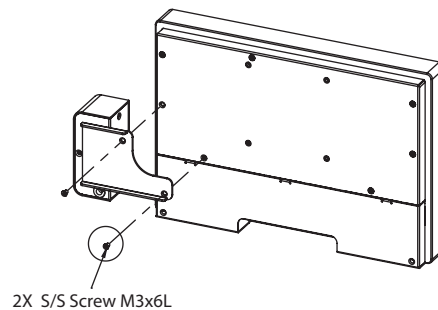
Packing List

Description	Quantity
Magnetic Stripe Reader Unit	1

Ordering Information

P/N	Description
UTC-510P-M01E	Magnet Strip Reader For UTC-510 series (USB connection)

UTC-510 Peripherals Series Installation Guide



Customer can easily attach the peripheral by re-using the screws that were taken out from Rear Cover.