

# PPC-3060S

## 6.5" Fanless Panel PC with Intel® Celeron® N2807 Processor

**NEW**



### Features

- Industrial 6.5" TFT VGA LCD (LED Backlight)
- Durable 5-wire Resistive Touch Screen
- Embedded Intel Celeron® processor, dual core N2807 1.58 GHz on board
- System memory up to 4 GB DDR3L SDRAM
- Compact Fanless Design
- True-flat with IP65 certified front panel protection
- Supports Full-size Mini PCIe Expansion
- Supports USB 3.0
- Supports Windows Embedded and Android
- Supports VESA 75



### Introduction

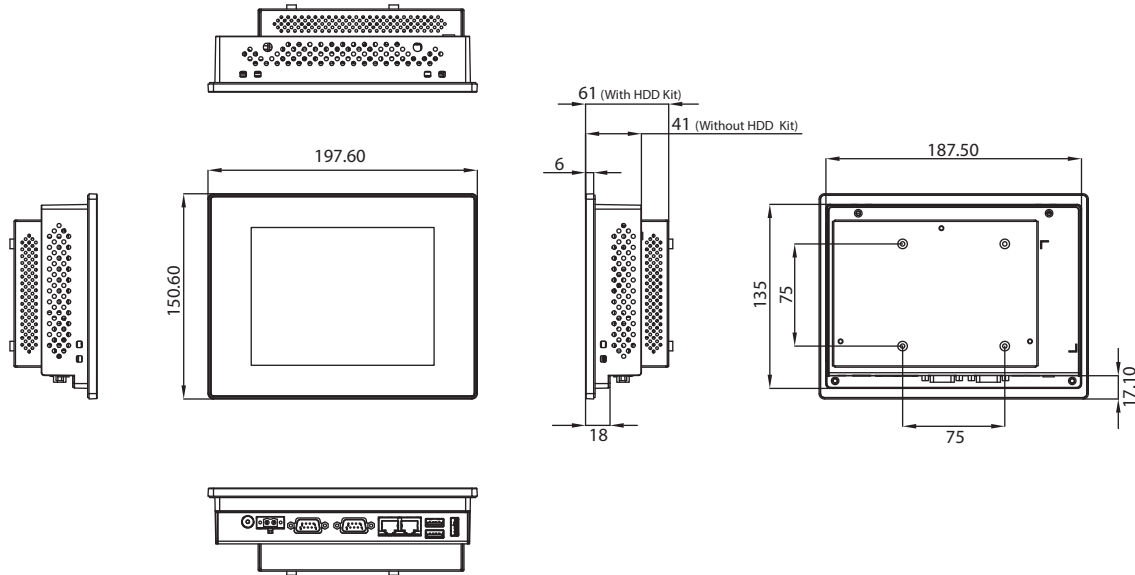
The PPC-3060S is a high-value, ultraslim Panel PC with a 6.5" TFT VGA LCD and low-power Intel® Celeron® N2807 1.58GHz processor. It provides high computing performance in a compact, fanless, embedded system. With a highly durable design, the PPC-3060S is equipped with an IP65 protected front panel and true-flat, 5-wire resistive touch screen. It supports two serial ports, three USB ports, and two GbE LAN to satisfy various industrial applications.

### Specifications

<b>Processor System</b>	CPU	Intel® Celeron® N2807, Dual core
	Frequency	1.58 GHz
	2nd Cache	1 MB
	Memory	1 x SO-DIMM, DDR3L 1333, Max 4 GB
	Storage	1 x 2.5" SATA Bay (Optional, need ordering bracket module for installation) 1 x mSATA Bay (default)
	Network (LAN)	2 x 10/100/1000 Mbps Ethernet (Intel 211)
	I/O ports	2 x Serial ports: 1 x RS-232, 1x RS-232/422/485 (Adjustable through BIOS) 2 x USB 2.0, 1 x USB 3.0
	Expansion	1 x Full size Mini PCIe slot
	Watchdog Timer	255 timer levels, set up by software
<b>Physical Characteristics</b>	Dimensions	197.6 x 150.6 x 41 mm (7.8" x 5.9" x 1.6")
	Weight	1.5 kg (3.30 lb)
<b>OS Support</b>	OS Support	Microsoft® Windows 7 32bit&64bit/Windows 8.1 32bit&64bit/Windows 10 32bit&64bit/WES7/WEC 7/Linux/Android 4.4
<b>Power Consumption</b>	Input Voltage	12- 24 Vdc
	Power Consumption	11 W (Burn-in test 7.0 in Windows 7 32bit)
<b>LCD Display</b>	Display Type	6.5" TFT LCD (LED backlight)
	Resolution	640 x 480
	Viewing Angle	80 (left), 80 (right), 70 (up), 70 (down)
	Luminance (cd/m <sup>2</sup> )	800
	Contrast Ratio	600
	Backlight Lifetime	50,000 hrs (typical)
<b>Touchscreen</b>	Touch Type	Elo Resistive 5 wires
	Light Transmission	80±5% at 550 nm wavelength
	Controller	RS232 interface
	Durability (Touches)	Greater than 35 million touches in one location without failure
<b>Environment</b>	Operating Temperature	0 ~ 50°C (32 ~ 122°F) with SSD 0 ~ 40°C (32 ~ 104°F) with HDD
	Storage Temperature	-40 ~ 60°C (-40 ~ 140°F)
	Relative Humidity	10 ~ 95% @ 40°C (non-condensing)
	Shock	Operating 10 G peak acceleration (11 ms duration), follow IEC 60068-2-27
	Vibration	Operating Random Vibration Test 5 ~ 500Hz, 1Grms @with HDD; 2Grms @with SSD, follow IEC 60068-2-64
	EMC	CE, FCC Class B, BSMI
	Safety	CB, CCC, BSMI, UL
	Front Panel Protection	IP65 compliant

## Dimensions

Unit: mm

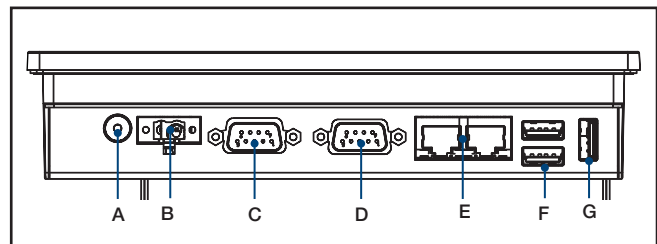


Cut-out dimensions: 189 x 136.5 mm

## Ordering Information

Part No.	Description
PPC-3060S-N80AE	Intel Celeron N2807 Fanless Panel PC with 6.5" LCD LED backlight
98R3P30600E	Bracket module for 2.5" SSD/HDD installation
PPC-WLAN-A1E	Wi-Fi Module with Antenna Cable 40cm for PPC
PPC-ARM-A03	ARM VESA Standard (A-CLEVER) for PPC series
PPC-174T-WL-MTE	Wall mount kit for PPC series
PPC-Stand-A1E	Stand for PPC series
98R3612000E	mSATA/CFast to USB card reader
98R3415010E	Front USB on cabinet module with Cable 100cm
96PSA-A90W190T-1	ADP A/D 100-240V 90W 19V W/PFC
1700001524	Power cord 3P UL 10A 125V 1.8M
170203183C	Power cord 3P Europe (WS-010+083) 183cm
1700008921	Power cord 3P/3P 1.8M PSE
2070014419	Image WS7P 64-bit PPC-3xx0S MUI V4.14
2070014420	Image WEC7 PPC-3060S MUI V4.01
2070014474	Image Android PPC-3060S MUI V1.00
2070014862	Image Win10 ENT LTSB 64-bit PPC-3060S/3100S/3120S Multi V6.01

## I/O Appearance



- A. Power Switch
- B. DC-In
- C. RS-232
- D. RS-232/422/485
- E. 2 x RJ45 LAN
- F. 1 x USB 2.0, 1 x USB 3.0
- G. USB 2.0