

PPC-150T-EHL Series



Specifications

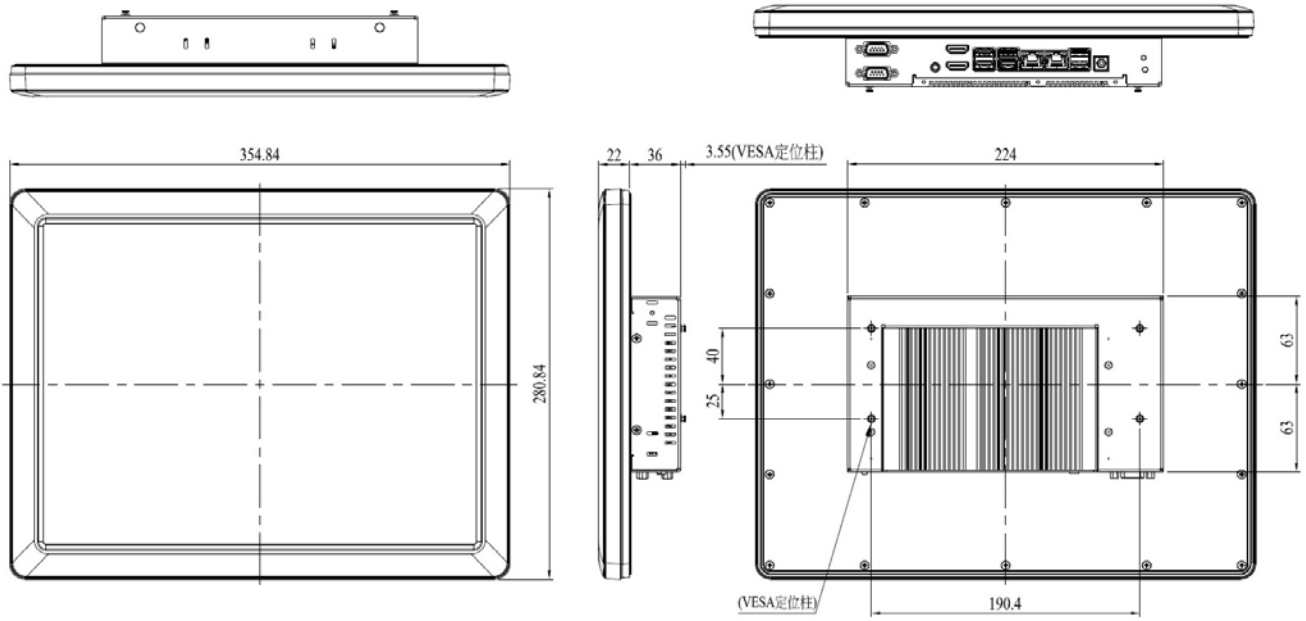
	Type	XGA TFT-LCD
	Size	15"
LCD Display	Resolution (Pixel)	1024 x 768
	Brightness	350 cd/m2
	Backligh life	30,000 hours
	Touch Screen Type	Resistive Touch
Processor	Intel® Elkhart Lake J6412 Processor (Quad core 2.0GHz)	
System RAM	8GB / 16GB / 32GB DDR4 Memory	
BIOS	AMI BIOS	
Disk Support	M.2 M-key (2242/2280) PCIe Gen.3 *2/SATA interface support NVME	
Expansion	M.2 B-key (3024) USB3.1/USB2.0 interface M.2 E-key (2230) USB2.0/PCIe Gen3 *1 interface	
Display	HDMI x2	
Ethernet	Intel® i225-V 2.5GbE x2	
Audio	HD Audio Realtek ALC888S	
Serial Ports	2 COM ports (COM1 RS232/485/422 support & COM2 RS232 support)	
USB Ports	USB3.1 (Gen2) x3	USB2.0 x3
Power Requirement	+12~+24V Power Adapter Only	
Operating Temperature	0°C to +60°C	
Storage Temperature	-30°C to + 70°C	
Dimention (W x H x D) mm	354.84 x 280.84 x 61.55	
OS Support	Windows 10 & Windows 11(64-bit), Linux	
Cartificate	CE, UKCA, FCC, VCCI, Shock, Vibration, IP65 (Front Panel)	

Ordering Information

Part Number	Description
PPC-150T-EHL-J6-8G	PPC-150T-EHL Series with Intel® Elkhart Lake J6412, 8GB DDR4 Memory, 2S, 2*2.5GLAN and Resistive Touch
PPC-150T-EHL-J6-16G	PPC-150T-EHL Series with Intel® Elkhart Lake J6412, 16GB DDR4 Memory, 2S, 2*2.5GLAN and Resistive Touch
PPC-150T-EHL-J6-32G	PPC-150T-EHL Series with Intel® Elkhart Lake J6412, 32GB DDR4 Memory, 2S, 2*2.5GLAN and Resistive Touch
POWER-12V3.34A-MW	AC – DC power adapter / DC12V @ 3.34A (AC 90 ~ 240V Input)
POWERCABLE(A) / (G)	US / Euro power cord for POWER-12V3.34A-MW
VESA-MT-PPC-EHL-SET	VESA mount bracket set
PANEL-MT-PPC-APL-SET	Panel mount set with clamps and screws

PPC-150T-EHL Series

Dimension



Panel Mounting and VESA Mounting (VESA Mounting kit optional)

