

# PPC-104T Series

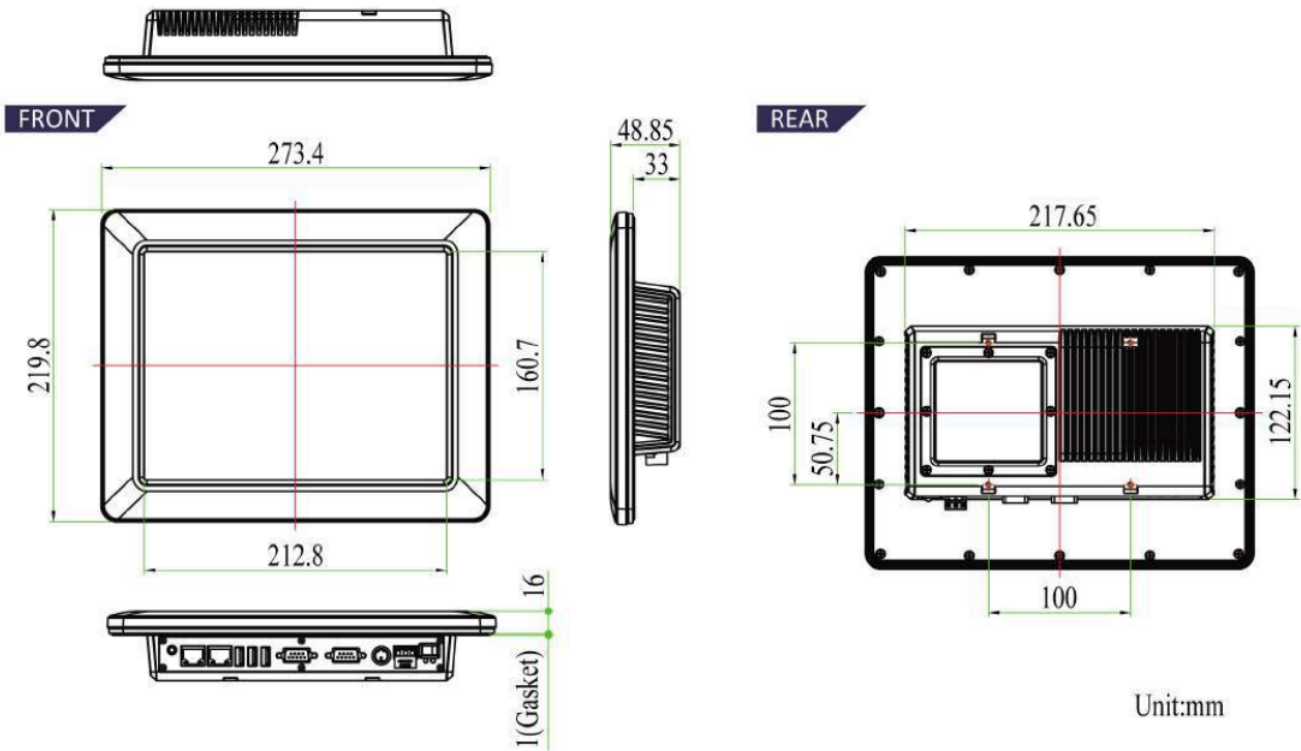


## Specifications

	Type	SVGA TFT-LCD
	Size	10.4"
LCD Display	Resolution (Pixel)	800 x 600
	Brightness	500 cd/m2
	Backligh life	50,000 hours
	Touch Screen Type	Analog Resistive
Processor	DM&P Vortex86DX2 933MHz / Vortex86DX3 1GHz	
System RAM	512MB / 1GB / 2GB DDR2 (DDR3) Onboard	
BIOS	AMI BIOS	
Expansion	WLAN (optional)	
Display	SVGA TFT LCD	
Ethernet	Integrated 10/100 Mbps Ethernet (POE optional) / 10/100/1000 BaseT Giga Ethernet (optional)	
Audio	HD Audio Realtek ALC262 CODEC	
Disk Support	Compact Flash Type 1/II Slot, SATA Slim SD Slot (optional)	
Serial Ports	RS232/422/485 x2	
USB Ports	USB2.0 x3	
Power Requirement	DC + 12V to 24V Power Consumption 24VDC@ 1A	
Operating Temperature	0°C to +50°C (32°F to 122°F) / -20°C to +70°C (-4°F to 140°F) (optional)	
Storage Temperature	-30°C to + 70°C	
Dimentsion (W x H x D) mm	273.44 x 219.84 x 49	
OS Support	Linux, Win CE, Win XP, Win 7, Windows Embedded Standard 2009 & Windows Embedded Standard 7	
Cartifcete (Coming soon)	CE, FCC, VCCI, Shock, Vibration, IP65 (Front Panel)	

# PPC-104T-APL

## Dimension



## I/O View & Rear View (Available for max 7 total RS232 or 16-bit GPIO and 5 RS232 Port Solution)

