

## PDX3-090T



### FEATURES

- 9" TFT LCD with Resistive Touchscreen
- DM&P Vortex86DX3-1GHz Onboard
- 1GB/ 2GB DDR3 System Memory Onboard
- Fanless and Low Power Consumption
- Metal Chassis with Compact Design
- CF Card, Micro SD slot (Optional)  
1G / 2G Flash Memory onboard (Optional)



CE

FCC

VCCI

VIBRATION

IP 65

TOUCH

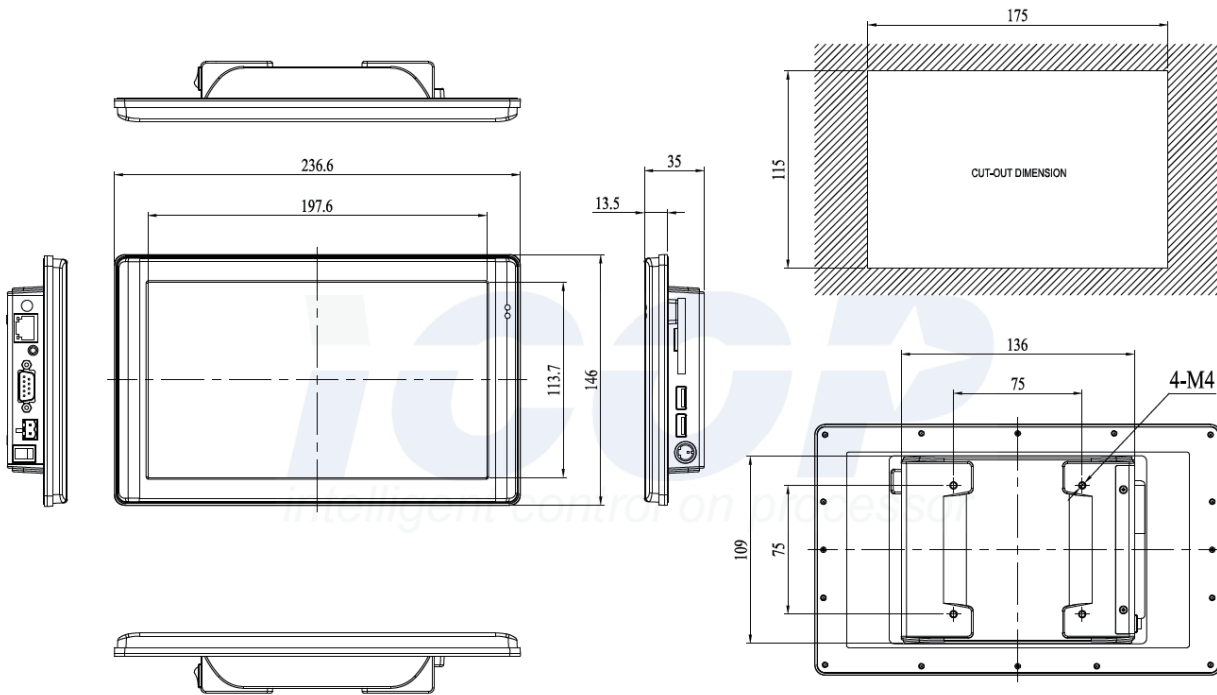
Wi-Fi

FANLESS

### SPECIFICATION

|                       |   |                                 |
|-----------------------|---|---------------------------------|
| LCD Display           | Type  | VGA TFT LCD                     |
|                       | Size  | 9"                              |
|                       | Resolution (Pixel)  | 1024(W) x 600(H)                |
|                       | Colors  | 262,144                         |
|                       | View Angle  | Vertical 120° / Horizontal 140° |
|                       | Brightness  | 300 cd/m2                       |
|                       | Backlight Life  | 18,000 hrs                      |
|                       | Contrast Ratio  | 500 : 1                         |
| CPU                   | DM&P Vortex86DX3-1GHz   |                                 |
| Cache                 | L1: 16KB I-Cache, 16KB D-Cache / L2: 256KB Cache                |                                 |
| Memory                | 1GB / 2GB DDR3 Memory Onboard                                   |                                 |
| Watchdog Timer        | Software Programmable from 30.5u to 512 Seconds x 2 Sets        |                                 |
| Serial Port           | RS-232 / 422 / 485 x 1  |                                 |
| USB Ports             | USB Ports (Version 2.0) x 2                                     |                                 |
| Ethernet              | Integrated 10/100M Ethernet                                     |                                 |
| Audio                 | HD Audio-Realtek ALC262 CODEC                                   |                                 |
| Internal Drives       | CF Card; Micro SD slot, 1G / 2G Flash Memory onboard (Optional) |                                 |
| Touch Screen Type     | Analog Resistive  |                                 |
| Expansion Slot        | None  |                                 |
| Power Requirement     | Single Voltage +5VDC ( 5A )/ Multi Voltage +8~+35VDC ( 8A )     |                                 |
| Power Consumption     | 20W (Max.)  |                                 |
| Operating Temperature | 0~+50°C (32~+122°F) / -20~+60°C (-4~+140°F) Optional (-I)       |                                 |
| Storage Temperature   | -30~ +70°C (14 ~+158°F)   |                                 |
| Operating Humidity    | 0% ~ 90% Relative Humidity, Non-Condensing                      |                                 |
| Operating System      | Linux, Win CE, Win XP, Win 7, Windows Embedded Standard         |                                 |
| Dimensions            | 236.6x146x35mm (9.31x5.75x1.38 inches)                          |                                 |
| Weight                | 790g  |                                 |
| Certificate           | CE / FCC / VCCI / Vibration / Shock / IP65 (Front Panel)        |                                 |

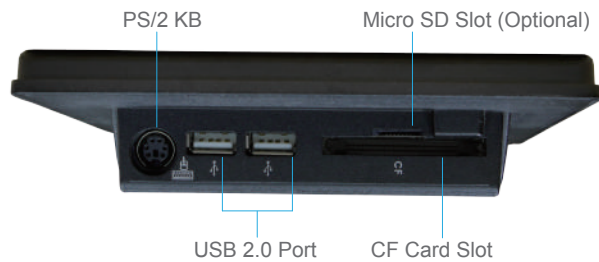
# DIMENSIONS



Unit: mm

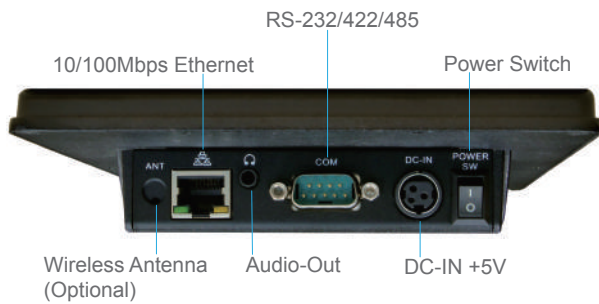
## I/O Overview

### PDX3-090T Right site



### PDX3-090T-Left site

#### PDX3-090T-5A



#### PDX3-090T-8A

