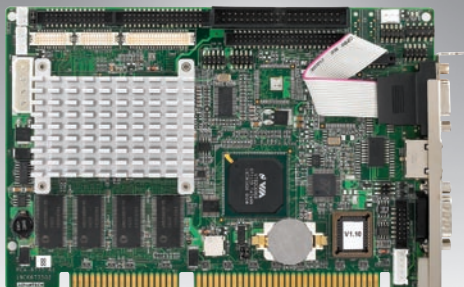


PCA-6775

VIA ISA Half-sized SBC, with
VGA/LVDS/TTL/LAN/SSD/USB



Features

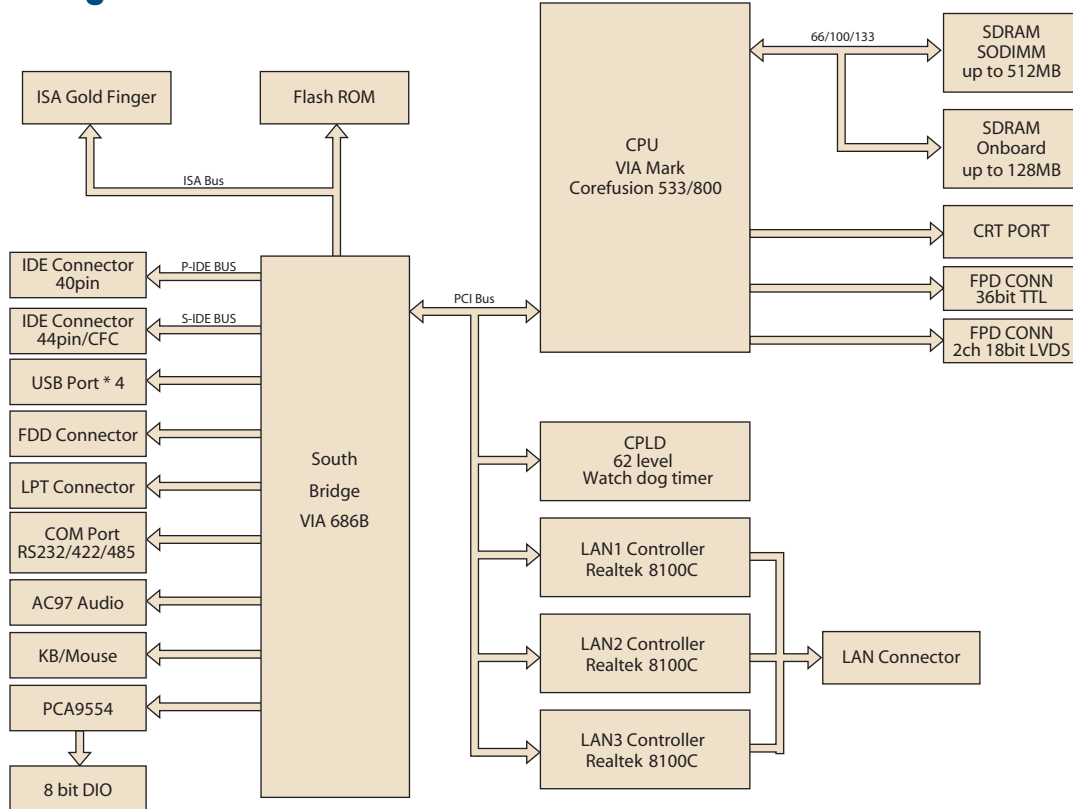
- VIA Mark 533/800 MHz CPU
- 128 MB Memory on board, support 1 SODIMM socket SDRAM up to 512 MB
- 10/100 Base-T Ethernet
- Low power consumption and fanless



Specifications

Processor System	CPU	VIA Mark
	Max. Speed	533/800 MHz
	L2 Cache	64 KB
	Chipset	VIA Mark + 686B
Bus	BIOS	Award 4 Mbit ISA
	Front Side Bus	133 MHz
	PCI	-
Memory	ISA	16-bit/ Gold Finger
	Technology	PC133 SDRAM
	Max. Capacity	512 MB
Graphics	Socket	144-pin SDRAM SODIMM x 1
	Controller	Chipset integrated VGA controller VGA mode:1920 x 1440 @ 75 Hz LCD mode:1600 x 1200
	VRAM	Shared with system memory up to 8/16/32 MB
	LVDS	36-bit LVDS
	TTL	36-bit TTL LCD
Ethernet	Dual Display	VGA+LVDS or VGA+TTL
	Interface	10/100Base-T
	Controller	RTL8100C
EIDE	Connector	RJ-45
	Mode	ATA 100/66/33
SATA (150MB/s)	Channel	2
I/O Interface	port	-
	USB	Max. 4 (USB 1.1 compliant)
	Serial	1 (RS-232) / 1 (RS-232/RS-422/RS-485)
	Parallel	1
	FDD	1
Watchdog Timer	PS/2	1 (for mouse and Keyboard, Y cable included)
	Output	Interrupt, system reset
Miscellaneous	Interval	Programmable, 0 ~ 62 sec.
	Audio Output	AC97 Audio interface(requires an audio extension module P/N: PCM-231A-00A1E)
	Solid State Disk	Compact Flash socket(Type I/II)
Power Requirement	Typical	VIA Mark 533MHz with 256MB SDRAM +12 V (0.04 A) +5 V (2.2 A)
	Max	VIA Mark 533MHz with 256MB SDRAM +12 V (0.01 A) +5 V (1.64 A)
Environment	Temperature	Operating Non-Operating 0 ~ 60° C - 20 ~ 70° C
	Physical	Dimensions

Board Diagram



Ordering Information

Part Number	CPU	Onboard Memory	FE LAN
PCA-6775F-L0A1E	VIA Mark 533 MHz	128 MB	RTL8100C x 1
PCA-6775F-Q0A1E	VIA Mark 800 MHz	-	RTL8100C x 1
PCA-67753F-Q0A1E	VIA Mark 800 MHz	-	RTL8100C x 3
PCA-67753F-L0A1E	VIA Mark 533 MHz	-	RTL8100C x 3

Bracket View



PCA-6775F-L0A1E
PCA-6775F-Q0A1E

Packing List

Part Number	Description	Quantity
1700060202	Y Cable for PS/2 Keyboard, PS/2 Mouse	x 1
1701400452	E-IDE (HDD) Cable, 2.54 mm pitch	x 1
1701440500	S-IDE (HDD) Cable, 2.0 mm pitch	x 1
1701340603	FDD Cable	x 1
1700260250	Parallel Port Cable	x 1
1703100260	USB cable with 2 ports	x 1
1701140201	COM Port Cable (RS-232/422/485)	x 1
1700002343	Power Cable	x 1
9689000002	Jumper pack	x 1
-	Startup manual	x 1
-	Utility CD	x 1

Accessories

Part Number	Description
IPC-644BP-15ZE	4-slot chassis w/ 150W power supply
IPC-6806SB-15ZBE	6-slot chassis w/ 150W power supply
1703100260	USB cable with 2 ports (2.0mm pitch)
CF-HDD-ADP	CompactFlash 50-pin to IDE 44-pin adapter
PCM-231A-00A1E	Audio module with Line-in, Line-out, Mic
9689000042	IrDA adapter