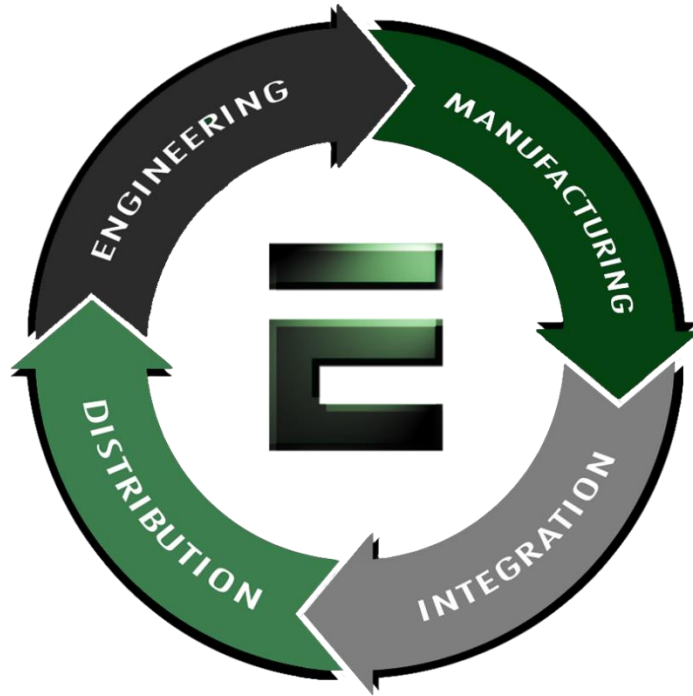


**Our Products Make Your Product Better®**

To learn more about EMAC's products and services and how they can help your project

[http://ftp.emacinc.com/Tech\\_Info/About\\_EMAC\\_Products\\_and\\_Services.pdf](http://ftp.emacinc.com/Tech_Info/About_EMAC_Products_and_Services.pdf)



Authorized Distributor, Integrator, and Value-Added Reseller

Manual downloaded from <ftp.emacinc.com>

For purchase information please contact [info@emacinc.com](mailto:info@emacinc.com)

For technical support please submit a ticket at [www.emacinc.com/support](http://www.emacinc.com/support)

# EBPC-5250

Embedded Industrial Chassis for 5.25" SBCs

**NEW**



## Features

- Built-in 180 W, ATX, AC-to-DC power supply
- Supports maximum expansion of three PC-104 or PC-104-Plus cards
- Supports maximum two PCI expansion slots
- Two dummy I/O metal plates for quick and convenient customized I/O extension
- Supports drive space for one slim optical disk drive
- Anti-vibration design of one 3.5" HDD bay
- Compact, robust, simple and modularized service-friendly design



## Specifications

Drive Bay	Slim Optical Disk Drive	Front-accessible	1	Internal	-
	3.5"	-	-	1	-
Cooling	FAN		1 (27.5 CFM)		
I/O Interface	Front I/O ports	Built-in: 4 x COM, 1 x Parallel, 1 x GPIO, 1 x VGA, 4 x USB, 2 x LAN, 1 x Mini DIN PS/2 mouse, 1 x Mini DIN PS/2 keyboard, 1 x Line in, 1 x Line out, 1 x Mic in Reserved: 1 x DVI, 4 x USB, 4 x COM			
	Rear I/O Ports	Reserved: 2 x LVDS, 1 x DVI, S-Video x 1, C-Video x 1 for the optional display module kit			
Miscellaneous	Notification LEDs	Power & HDD activity			
Environment	Temperature	Operating	0 ~ 45° C (32 ~ 104° F)		
	Humidity	Non-Operating	-20 ~ 60° C (-4 ~ 140° F)		
	Vibration (5 - 500 Hz)		10 ~ 85% @ 40° C, non-condensing	10 ~ 95% @ 40° C, non-condensing	
	Shock		1 Grms	2 G	
Physical Characteristics	Dimensions (W x H x D)	10 G (with 11 ms duration, half sine wave)			
	Weight	248 x 118 x 298 mm (9.8" x 4.6" x 11.7")			
		2.5 kg (5.5 lb)			

## Power Supply Options

Part Number	Watt	Input	Output	Mini-load	Safety	MTBF
1757000277 (ATX)	180 W	AC 100 ~ 240 V	DC 3.3 V @ 16.8 A, DC 5 V @ 12.0 A, DC 12 V @ 10.0 A, DC 5 VSB @ 2.0 A, DC -12 V @ 0.8 A	+3.3 V @ 0.3 A, +5 V @ 0.3 A, +12 V @ 1.5 A	UL/TUV/CB/CCC	100,000 hours @ 25°C

## Front View



Slim optical disk drive (optional)

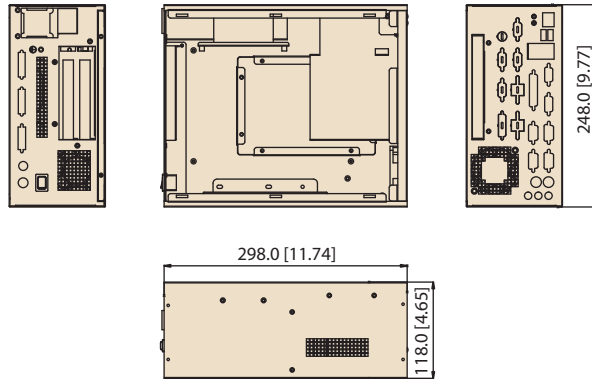
## Rear View



Reserved openings for the optional display module kit

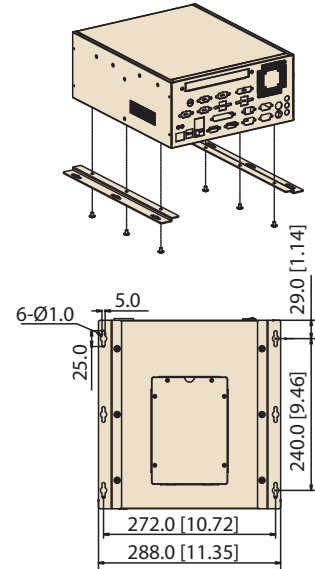
### Dimensions

Unit: mm (inch)



### Installation

Unit: mm (inch)



### Accessories

Part Number	Description
9896525V00E	Universal display kit with LVDS x 2, DVI x 1, S-video x 1, C-video x 1 and cables
9896012100E	riser card with 2 PCI expansion slots
1700001757	IDE HDD cable, ATA133, 59 cm
1700000410	DVI cable 20 cm, connect from 5.25" SBC to front DVI port
SDVD-FDD-COMBOE	5.25" storage kit with slim 8X DVD, 24X CD-RW & standard 3.5" black FDD
96SDVR-8X-I-OP-B	Black slim 8X DVD-RW ROM drive
9668525004E	Cable kit for PCM-9581FG/9582FG/9584

### Ordering Information

Part Number	Power Supply	5.25" SBC	Regulation
EBPC-5250-82CE	1757000277	PCM-9581/9582/ 9584/9586/9587	CE

\* The necessary cables for the built-in I/O board are included in the accessory box.  
 \* If user chooses PCM-9581FG/9582FG/9584, please purchase the necessary cable kit.

### Inside View



### Bottom View



Bottom cover for maintaining the CF card