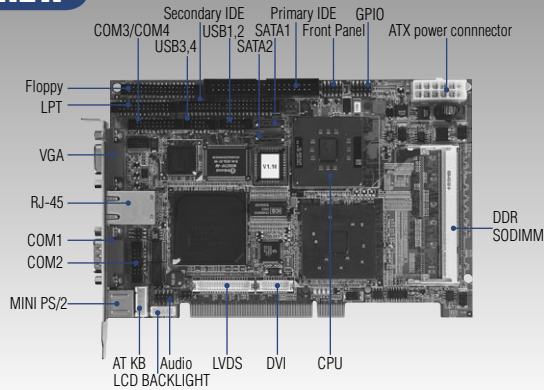


PCI-6886

PCI Intel® Celeron® M Half-sized SBC with VGA/LCD/LVDS/LAN/USB 2.0 and SSD

NEW



Features

- Embedded new generation Intel® Celeron® M 600 MHz Processor
- Supports 400 MHz Front Side Bus
- Supports 200 MHz, 266 MHz DDR SDRAM
- Supports up to 1000Base-T Ethernet on board
- Supports up to 2 Channel 36 bits LVDS for LCD
- Supports 4 x USB 2.0 port

Specifications

General

- **CPU** Embedded Intel Celeron M 600 MHz Processor
- **2nd Cache Memory** NA
- **System Chipset** Intel 852GM/GMCH + 6300ESB
- **BIOS** AWARD 4 Mbit Flash BIOS
- **System Memory** 200 pin DDR SODIMM x 2, support DDR up to 2GB
- **Power Management** APM 1.2, ACPI supported
- **SSD** Support CompactFlash® Card Type I/II (Share 2nd IDE channel)
- **Watch Dog Timer** 0-255 sec, System reset
- **Expansion Interface** 32-bit PCI slot
- **Battery** Lithium 3 V/196 mAH

I/O

- **I/O Interface** 2 x IDE, 1 x FDD, 1 x K/B, 1 x Mouse, 1 x RS-232/422/485, 3 x RS-232, 1 x LPT
- **USB** 4 USB ports, USB 2.0 compliant
- **Audio** Support AC97 Audio for external Audio CODEC
- **IrDA** NA
- **GPIO** 8-bit general purpose input/output
- **I/O Expansion** DVO, PCI

Ethernet

- **Chipset** Intel 82540EM (Gigabit) (optional), Intel 82551ER/82551QM (optional)
- **Speed** 10/100 Mbps, 10/100/1000 Mbps (optional)
- **Interface** RJ-45
- **Standard** IEEE 802.3 z/ab (1000Base-T) or IEEE 802.3u (100 Base-T) protocol compatible
- **Built-in Boot ROM** 82540EM and 82551QM optional

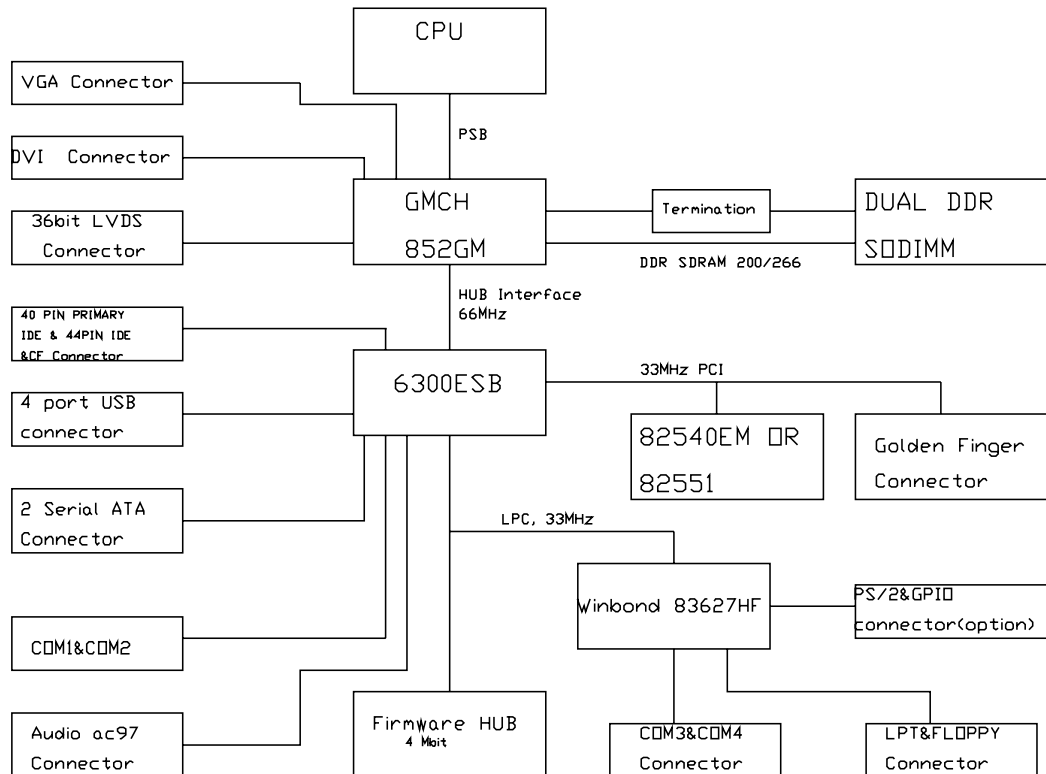
Display

- **Chipset** Intel 852GM chip integrated. (Extreme Graphics 2)
- **Memory Size** Optimized Shared Memory Architecture, supports up to 64 MB frame buffer using system memory
- **Resolution** CRT display mode: up to 1600 x 1200 @ 24 bpp (85 Hz)
LVDS display mode: up to UXGA panel resolution with frequency range from 25 MHz to 112 MHz
- **LCD Interface** 2 Channel LVDS (36-bit)
- **LVDS Interface** Hirose connector support dual channel LVDS panel
- **TV-Out** NA
- **Dual Independent Display** CRT + LVDS

Mechanical and Environmental

- **Dimension (L x W)** 185 x 122 mm (7.3" x 4.8")
- **Weight** 0.27 kg (weight of total package)
- **Operating Temperature** 0 ~ 60° C (32 ~ 140° F), operation
- **Operating Humidity** 0% ~ 90% relative humidity, non-condensing
- **Power Supply Voltage** +5 V, +5 V STB and +12 V
- **Power Consumption** Max: 2.42 A @ 5 V, 0.32 A @ 12 V, (w/Celeron M 600 MHz with no L2 cache + 512 MB + HDD 40 GB)
Typical: 1.91 A @ 5 V, 0.31 A @ 12 V, (w/Celeron M 600 MHz with no L2 cache + 512 MB + HDD 40 GB)

Board Diagram



Packing List

- 1 x PCI-6886 SBC
- 1 x Y cable for PS/2 Keyboard, PS/2 Mouse (p/n:1700060202)
- 1 x E-IDE (HDD) Cable (p/n:1701400452)
- 1 x FDD Cable (600 mm) (p/n:1701340603)
- 1 x Parallel port cable (p/n:1700260250)
- 1 x Power Cable (p/n:1700000265)
- Mini Jumper (p/n:1653302122)
- 1 x Startup Manual
- 1 x Utility CD

Ordering Information

Standard

- **PCI-6886F-M0A1** PCI Celeron M 600 852GM LAN/VGA/LVDS/Audio

Optional Accessories

- **IPC-644P4-80** Chassis w/PCA-6104P4/80 W power supply
- **IPC-6806P5** Chassis w/PCA-6105P5/100 W power supply
- **PCA-6104P4-0B1** 4-PCI slot passive backplane
- **PCA-6105P5-0B1** 5-PCI slot passive backplane
- **1703100260** USB cable adapter (2.00 mm)
- **CF-HDD-ADP** CompactFlash 50-pin to IDE 44-pin adapter
- **PCM-231A-00A1** Audio module with Line-in, Line-out, mic
- **1701140201** COM2 cable (2.00 mm)
- **1700001166** COM3 & COM4 cable with bracket (2.00 mm)