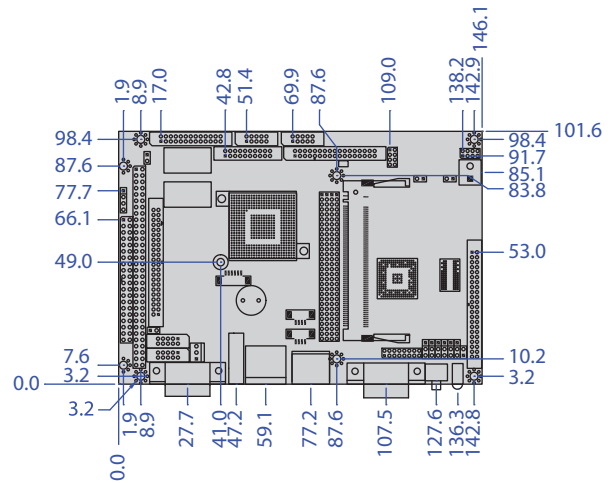
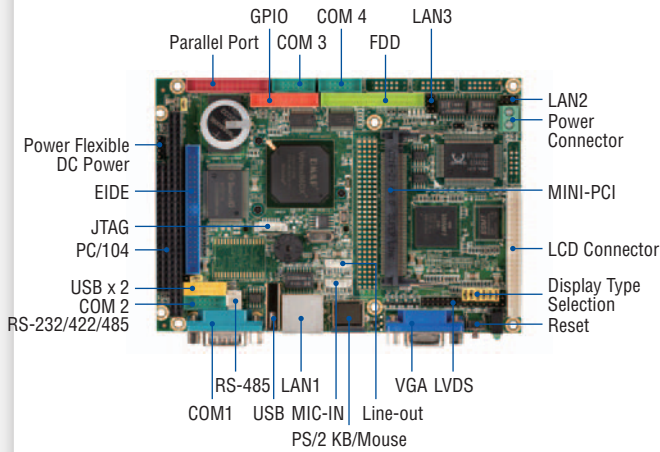


VDX-6326RD

256MB/4S/3USB/VGA/LCD/LVDS/
AUDIO/3LAN/GPIO/CF/FDD/PWMx16



Unit: mm

Specifications

SoC	DM&P SoC CPU Vortex86DX- 800MHz Real Time Clock with Lithium Battery Backup
Cache	L1:16K I-Cache, 16K D-Cache L2 Cache 128KB
Bus	PC/104 standard compliant PCI-104 (Optional)
BIOS	AMI BIOS
System Memory	256/512MB DDR2 Onboard
Watchdog Timer	Software programmable from 30.5μ sec.to 512 sec. x 2 sets (Watchdog 1 fully compatible with M6117D)
VGA	XGI Volari Z9s Chipset VGA and TFT/LVDS Flat Panel Interface Support Onboard 32MB VGA Memory, support resolution up to 1280x1024, 16M colors
LAN	Integrated 10/100Mbps Ethernet Realtek 8100B 10/100Mbps Ethernet Controller Half/Full duplex capability
Audio	CM119 USB Audio controller
Flash Disk Support	Onboard 4MB SPI Flash Disk MST1 EmbedDisk Module (16MB and above) Compact Flash Type I/II 44-pin IDE to Micro SD (Optional)
PWM	16-24 Channels
SRAM support	512KB (Optional)
I/O Interface	Enhanced IDE port (UltraDMA-100/66/33) x1 FDD x 1 RS-232 port x3 RS-232/422/485 port x1 USB port (2.0) x3 Parallel port x1 16-bit GPIO port x1 10/100Mbps Ethernet port x3
Connectors	2.54mm 4-pin header for +12V, -12V, -5V, GND x 1 2.54mm 2-pin header for Reset x1 2.54mm 3-pin header for RS-485 x1 2.0mm 44-pin box header for IDE x1 2.0mm 44-pin box header for LCD x1 2.0mm 34-pin box header for FDD x 1 2.0mm 26-pin box header for Printer x1 2.0mm 20-pin box header for 16-bit GPIO x1 2.0mm 10-pin box header for RS-232 x3 2.0mm 10-pin box header for USB x1 2.0mm 8-pin header for Ethernet x2 1.25mm 6-pin wafer for JTAG x1 1.25mm 4-pin wafer for Line-out/MIC-in x2 0.8mm 124-pin Mini-PCI card connector x 1 External 15-pin D-Sub female connector for VGA x1 External 9-pin D-Sub male connector for RS-232 x1 External RJ-45 connector for Ethernet x1 External USB connector x 1 External Mini DIN connector for Keyboard/Mouse x1 Type I/II Compact Flash Slotx1
Power Requirement	Single Voltage +5V @ 900mA

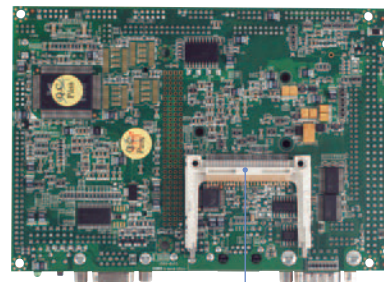
Weight	150g
Board Size	102 x 146mm (4.01 x 5.75 inches)
Operating Temperature	-20°C ~ +70°C -40°C ~ +85°C (Optional)

Packing List

- VDX-6326RD x1
- CD for User's Manual & Driver (Optional)
- Cable
 - HDD 44P (2.0) x1
 - FDD 34P (2.0) x1
 - PRINT (2.0) x1
 - USB (2.0) x1
 - NET 4x2 (2.0) x2
 - RS-232 (2.0) x3
 - GPIO (2.0) x1
 - Audio Line x2
 - YKB x1

Ordering information

- **VDX-6326RD** Vortex86DX 3.5" CPU Module with 256MB DDR2
- **VDX-6326RD-512** Vortex86DX 3.5" CPU Module with 512MB DDR2



Compact Flash Type I/II