

**Fanless embedded system with VIA Eden ULV CPU,
VX800 chipset, onboard DDR2 memory,
5VDC in with power adaptor**

IBX-200-VX800

Quick Installation Guide

Version 1.0

May. 21, 2009

Package Contents

IBX-200-VX800 package includes the following items:

- 1 x IBX-200-VX800
- 1 x screw set
- 1 x 5VDC output with AC-DC adaptor
- 1 x 2dbi wireless antenna
(IBX-200-VX800-W-R10/1GZ/1GB
IBX-200-VX800-W-R10/500/512MB only)
- 1 x QIG (Quick Installation Guide)
- 1 x Utility CD

Specifications

- CPU: VIA Eden ULV 1GHz/500MHz
- System Chipset: VIA VX800
- BIOS: AMI BIOS label
- System memory: Onboard 1GB/512MB DDR2 667 MHz DRAM
- Ethernet:
PCIe interface Realtek RTL8111CP GbE controller
- I/O Interface:
2 x RS-232 (2 on rear)
4 x USB2.0 (2 on rear, 2 front panel)
- Expansion:
1 x PCIe mini card Slot for Wireless LAN module
(IBX-200-VX800-W-R10/1GZ/1GB
IBX-200-VX800-W-R10/500/512MB only)
- Storage: 1 x CompactFlash Type II slot
- Super I/O: Fintek F81216AD
- Display: CRT interface integrated in VX800 with VGA port
- Audio: Line In/ Mic Out by VIA VT1708 supports 7.1 channel HD
Audio Codec
- Watchdog timer: Software programmable 1-255 sec.
- Power supply: 5V DC input, AT/ATX mode
- Chassis Construction: Aluminum Alloy, ABS
- Power Consumption:
5V@ 2.9A, with 3D Mark 2001SE
- Operating Temperature: 0 ~ 50°C
- Operating shock: Half-sine wave shock 3G;11ms;3 shocks per axis
- Operating Vibration: MIL-STD-810F 514.5C-2
- Operating Humidity: 5%~95% non-condensing
- Dimension: 125mm x 120mm x 44.4mm
- Weight: NW: 480g, GW:1.5Kg
- Mounting: Desktop, VESA 75 mount with VESA mount adaptor
- EMC/Safety: CE, FCC class A

Ordering Information

IBX-200-VX800-R10/1GZ/1GB:

Fanless embedded system with VIA Eden ULV 1GHz CPU, VX800 chipset, onboard 1GB DDR2 memory, 5VDC in with power adaptor

IBX-200-VX800-W-R10/1GZ/1GB:

Fanless embedded system with VIA Eden ULV 1GHz CPU, VX800 chipset, onboard 1GB DDR2 memory, Built-in 802.11b/g wireless, 5VDC in with power adaptor

IBX-200-VX800-R10/500/512MB:

Fanless embedded system with VIA Eden ULV 500MHz CPU, VX800 chipset, onboard 512MB DDR2 memory, 5VDC in with power adaptor

Jumpers setting and Connectors

LABEL	FUNCTION
J_CMOS1	CMOS state setting jumper
JP3	AT/ATX Mode setting jumper
CF_MS_SEL1	CF Master/Slave setting switch
DC_JACK1	Power Supply Input
VGA1	VGA 15-pin Female Connector
V_USB_1 V_USB_2	USB Port Connector
LAN1	RJ45 LAN Connector
COM1 COM2	External Serial Port for DB-9 Connectors
USB_1 USB_2	External USB Port Connector
FP_MIC1 FP_LOUT	External Audio Connector
SATA1	Serial ATA Connectors
CF1	Internal CF Card Connector
MINI-PCIE1	Internal Mini-PCle Connector
BT1	Battery connector
PWR_BTN1	Power button connector
WLAN_LED1	Internal Wireless LED connector
JSPI1	Internal Flash SPI ROM connector

J_CMOS1 : Clear CMOS Setup jumper	
J_CMOS1	DESCRIPTION
1-2 (default)*	Keep CMOS Setup (Normal Operation)
Short 2-3	Clear CMOS Setup

JP3: AT/ATX Mode setting jumper	
JP3	DESCRIPTION
Open	AT
Short 1-2 (default)*	ATX

CF_MS_SEL1: CF Master/Slave setting switch		
	Left	Right
Master (default)*		
Slave		

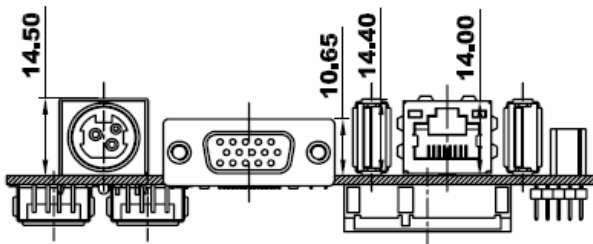
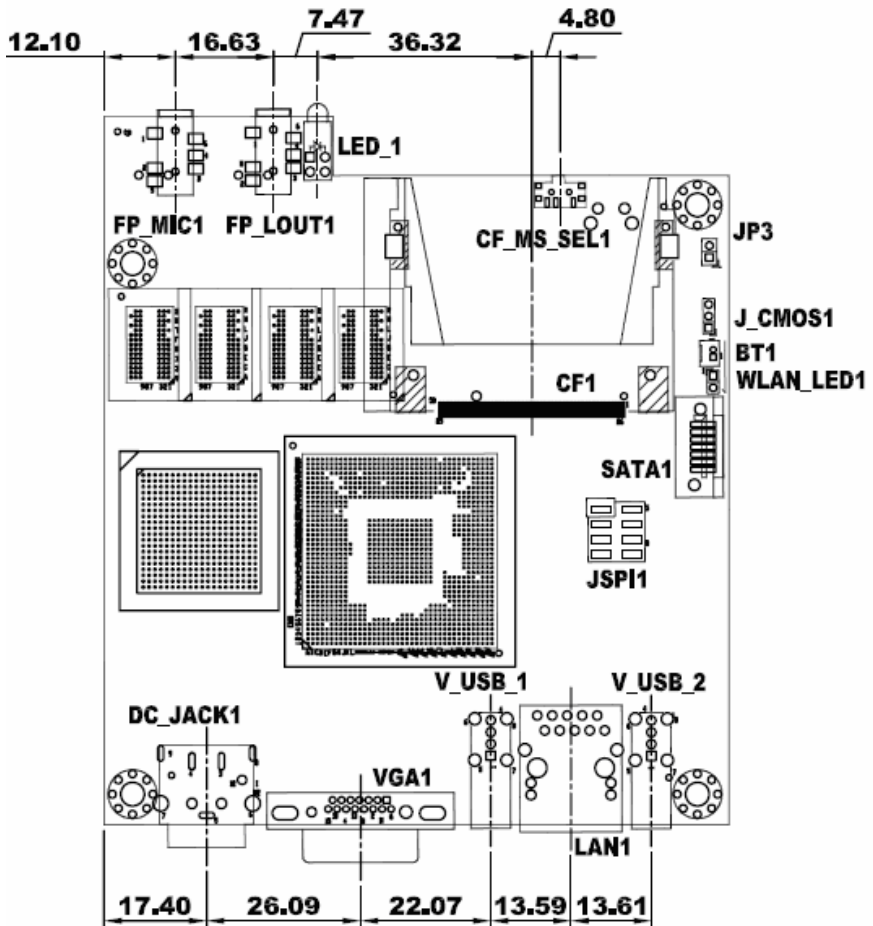
COM1,COM2: External Serial Port for DB-9 Connectors			
PIN	DESCRIPTION	PIN	DESCRIPTION
1	DCD#	6	DSR#
2	RXD	7	RTS#
3	TXD	8	CTS#
4	DTR#	9	RI#
5	GND	10	NC

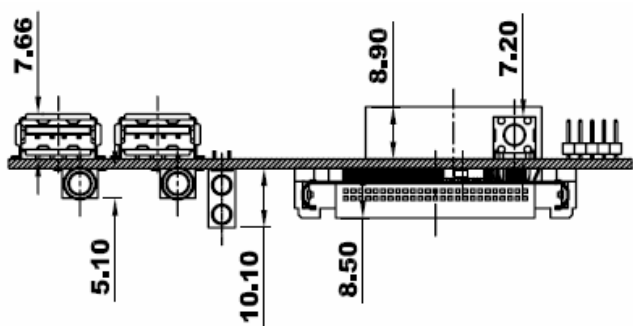
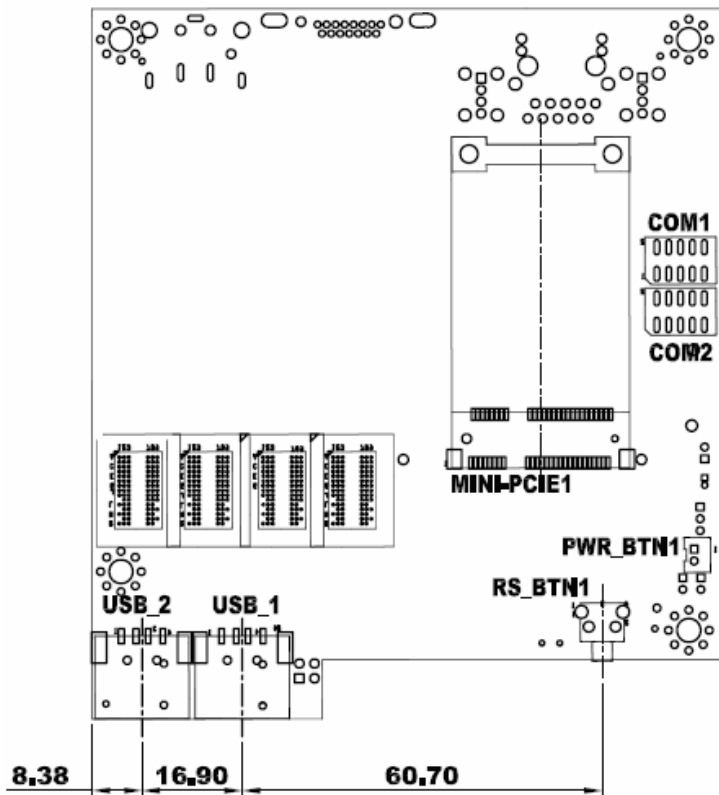
WLAN_LED1: Internal Wireless LED connector	
WLAN_LED1	DESCRIPTION
1	GND
2	VCC (+3.3V)

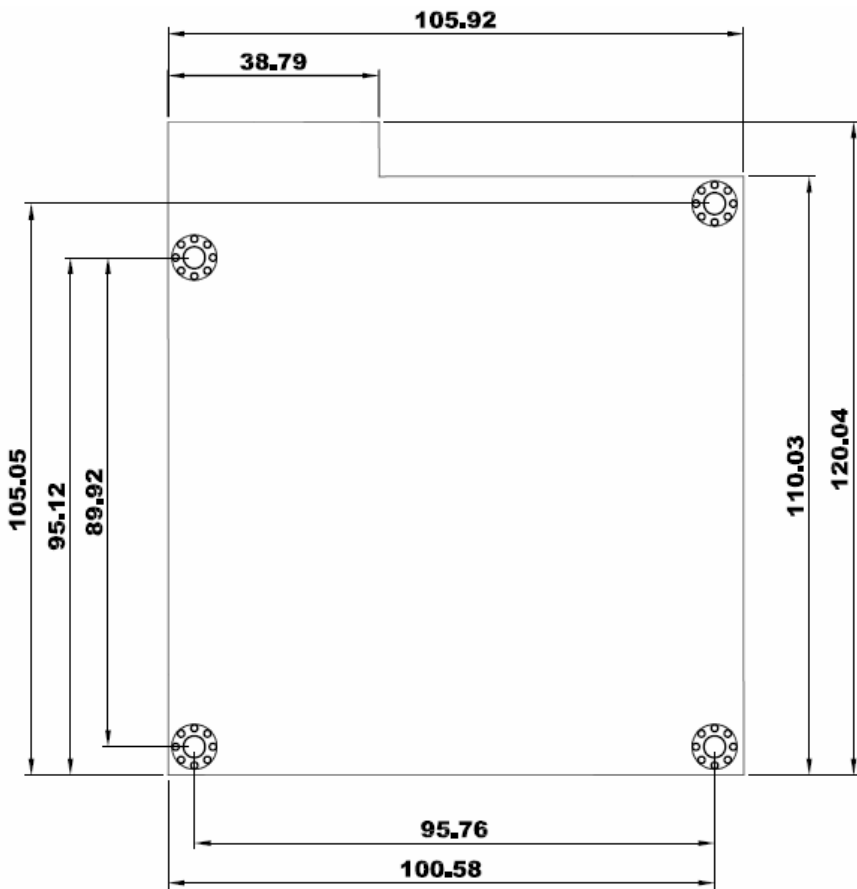
CF1: Internal CF Card Connector			
PIN NO.	DESCRIPTION	PIN NO.	DESCRIPTION
1	GND	26	CD1#
2	D3	27	D11
3	D4	28	D12
4	D5	29	D13
5	D6	30	D14
6	D7	31	D15
7	CE#	32	CE2#
8	A10	33	VS1#
9	OE#	34	IOR#
10	A9	35	IOW#
11	A8	36	WE#
12	A7	37	IRQ
13	VCC1	38	VCC2
14	A6	39	CSEL#
15	A5	40	VS2#
16	A4	41	RESET#
17	A3	42	WAIT#
18	A2	43	INPACK#
19	A1	44	REG#
20	A0	45	BVD2
21	D0	46	BVD1
22	D1	47	D8
23	D2	48	D9
24	IOCS16#	49	D10
25	CD2#	50	GND2

JSPI1:Internal Flash SPI ROM connector			
PIN NO.	DESCRIPTION	PIN NO.	DESCRIPTION
1	3.3V	2	GND
3	CS0#	4	CLK
5	SO0	6	SI
7	N/C	8	N/C

Board Layout: Jumper and Connector Locations







Dimensions (Unit: mm)

