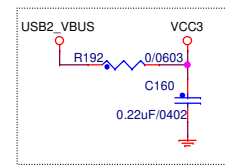


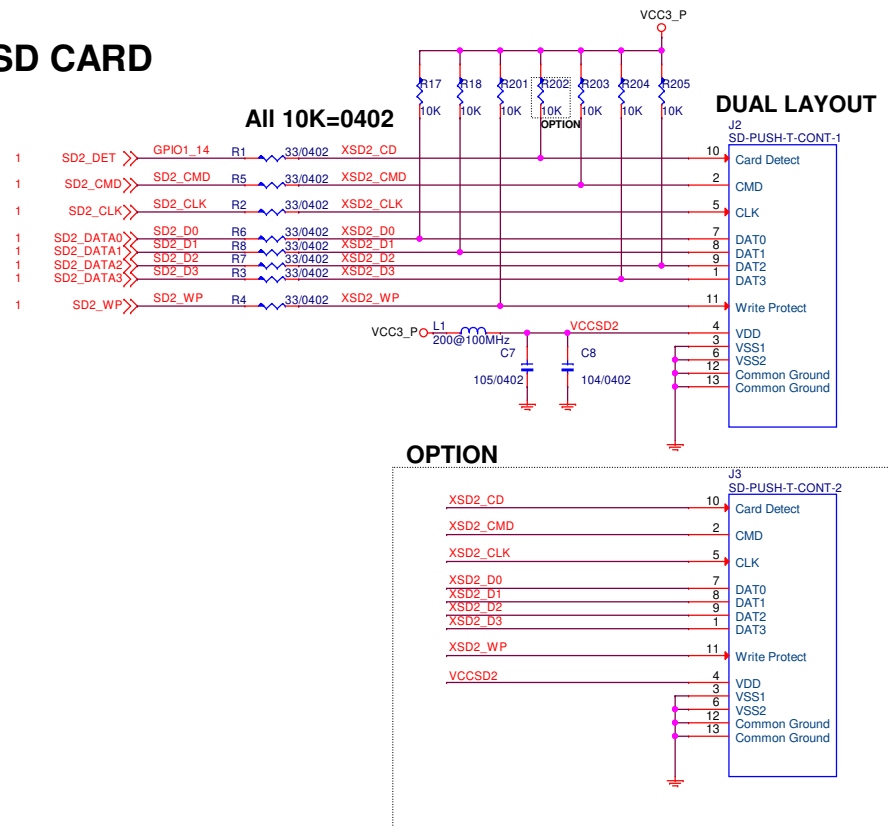
**i.MX8M-DIP168 MODULE**



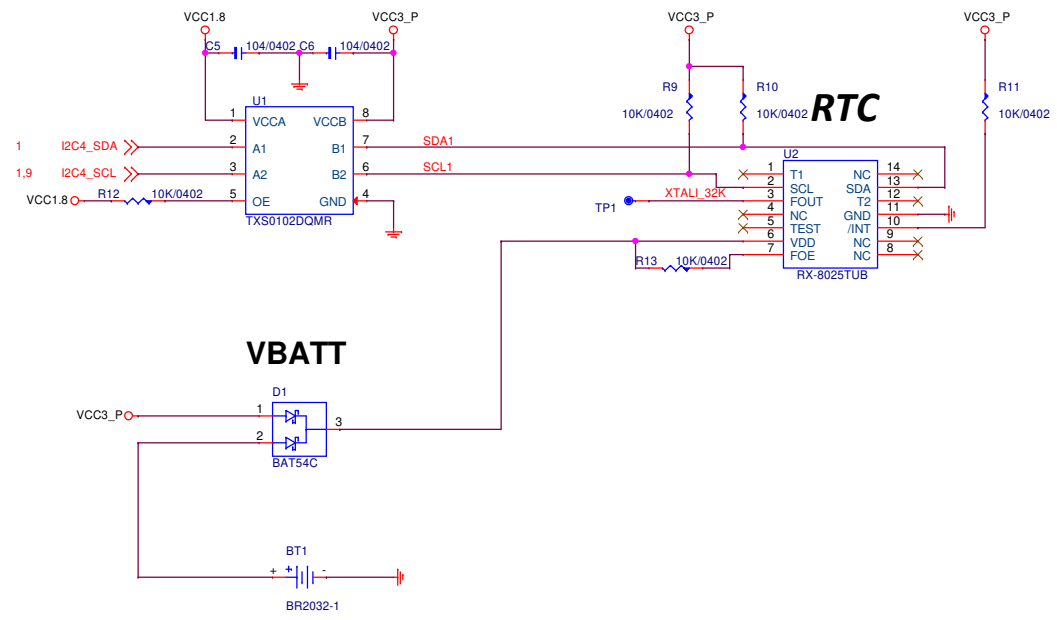
**DM395A  
i.MX8M-DIP168 VESA-PC  
V1.1**

<b>DMP ELECTRONICS INC.</b>			
Title: CPU Board Connector			
Size: DM395A	Document Number: DM395A	Sheet: 1 of 17	Rev: 1.1
Date: Tuesday, January 07, 2020			

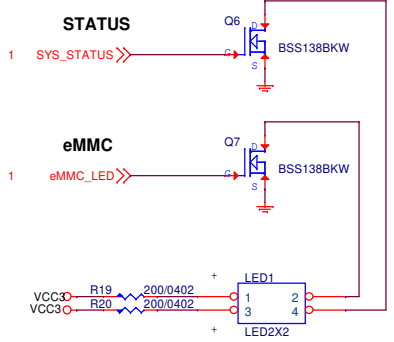
# SD CARD



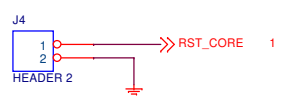
# RTC/VBATT



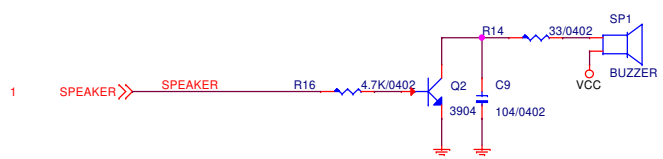
# LED



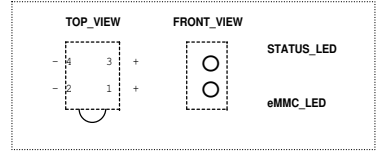
# H/W RST



# SPEAKER



## eMMC/STATUS LED

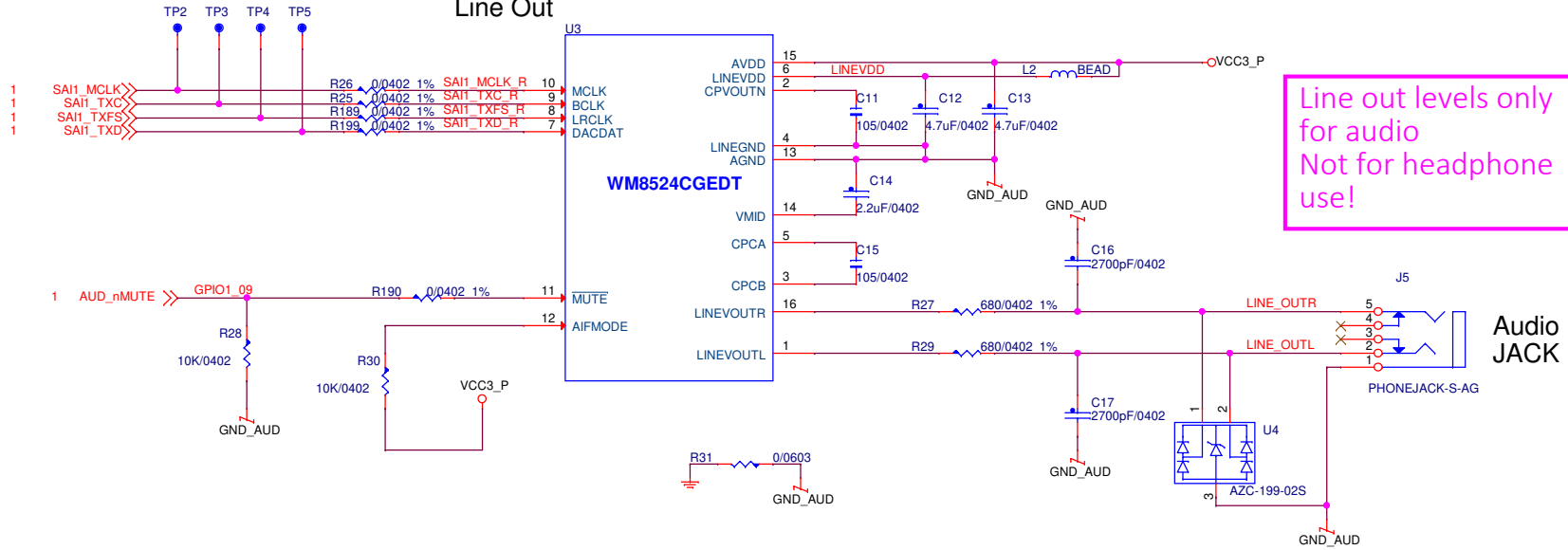


<b>DMP ELECTRONICS INC.</b>		
Title SD Card/SPAKER/RTC VBAT/RST/LED		
Size	Document Number DM395A	Rev 1.1
Date: Tuesday, January 07, 2020	Sheet 2	of 17

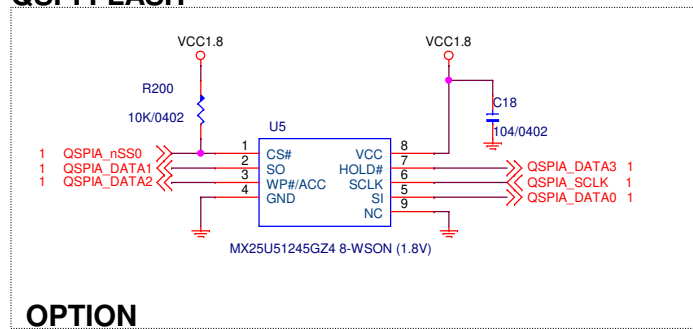
# AUDIO/QSPI/CSI

## Audio DAC

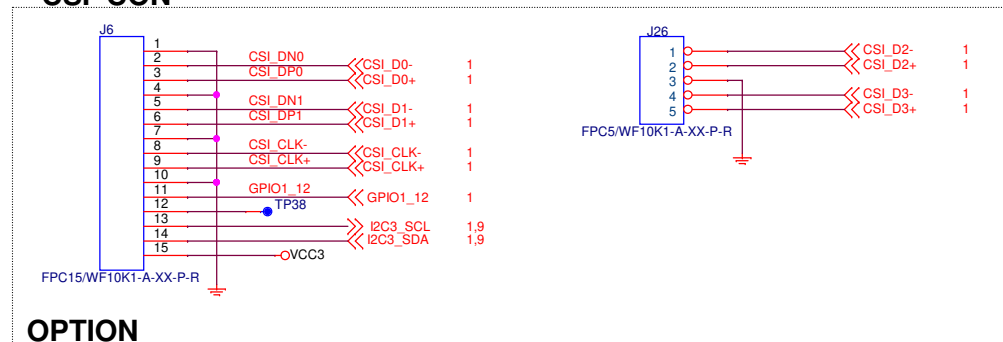
24-bit 192kHz Stereo DAC 2Vrms  
Line Out



## QSPI FLASH



## CSI CON



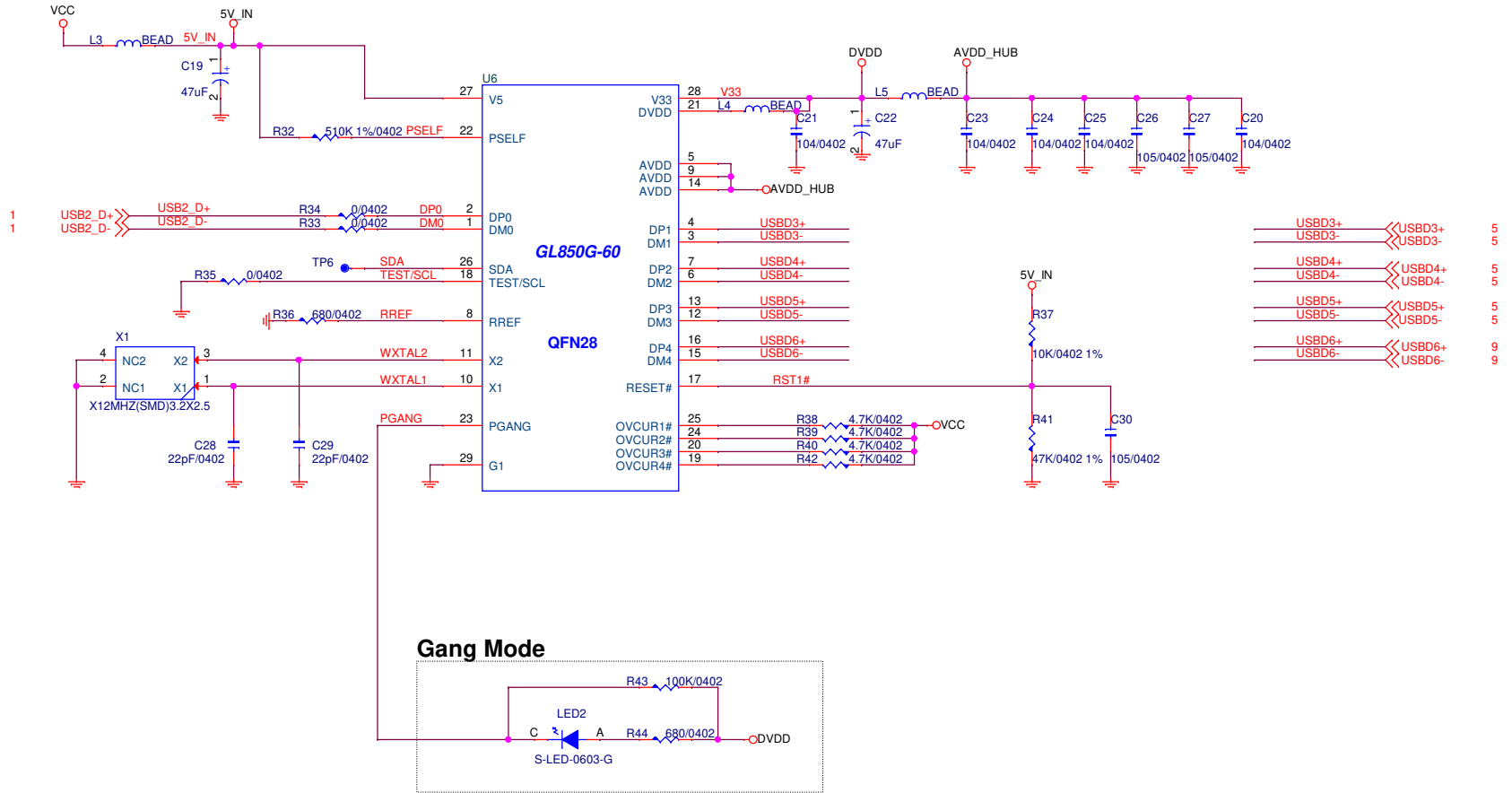
**DMP ELECTRONICS INC.**

Title: AUDIO DAC & QSPI & CSI CON

Size: Document Number DM395A Rev 1.1

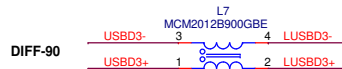
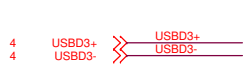
Date: Tuesday, January 07, 2020 Sheet 3 of 17

# USB HUB

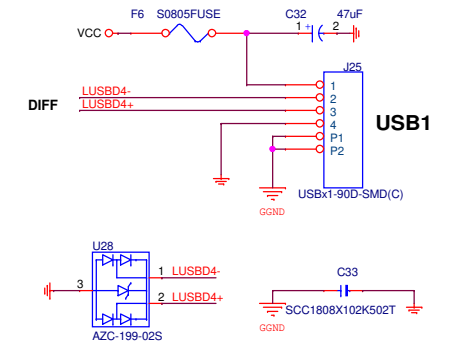
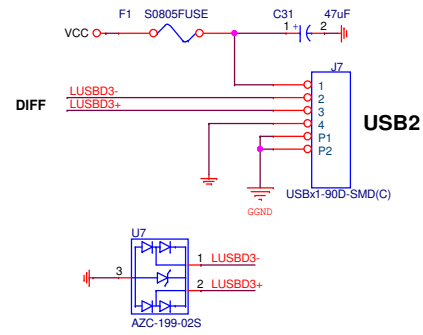


<b>DMP ELECTRONICS INC.</b>		
Title: USB HUB		
Size	Document Number: DM395A	Rev: 1.1
Date: Tuesday, January 07, 2020	Sheet: 4	of 17

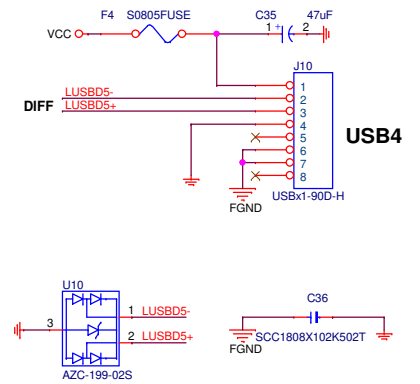
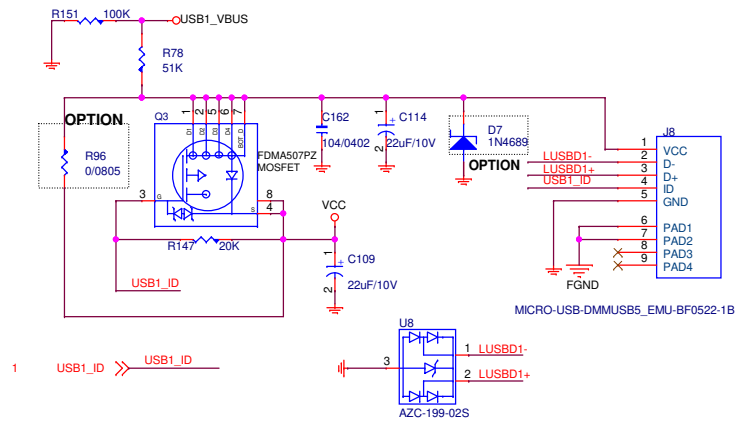
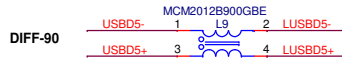
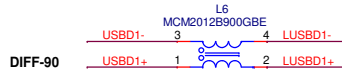
# USBx4



## FRONT USB x2



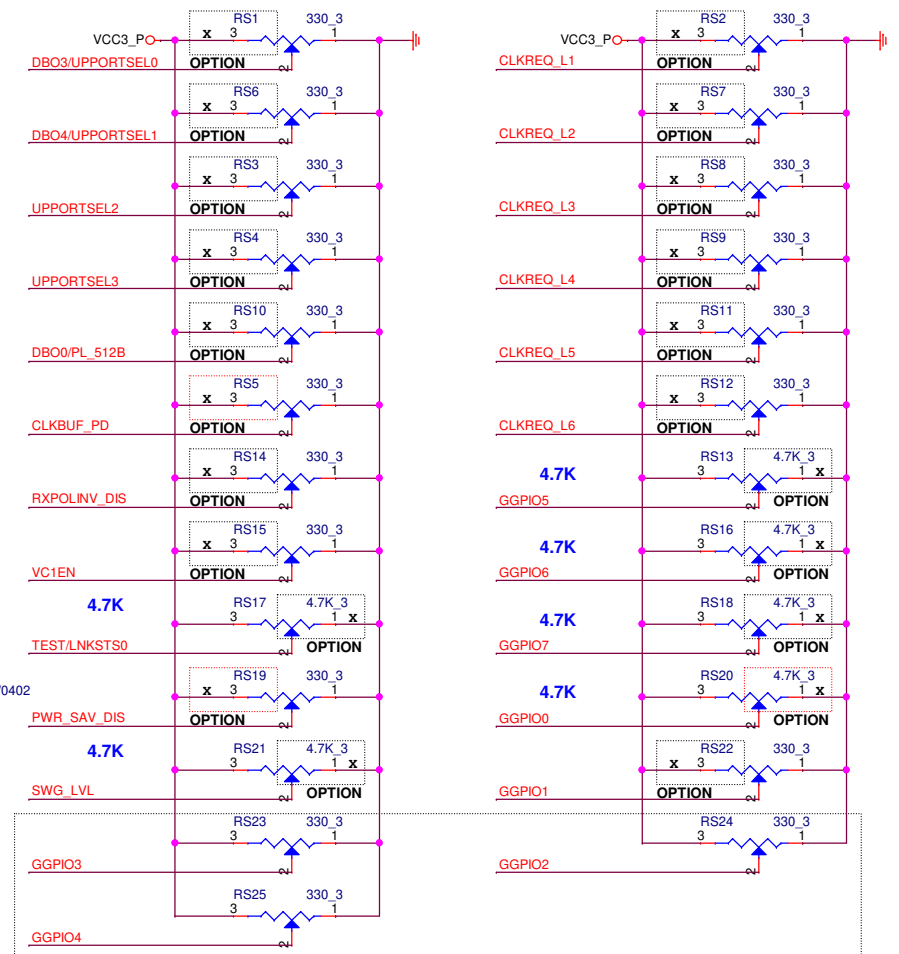
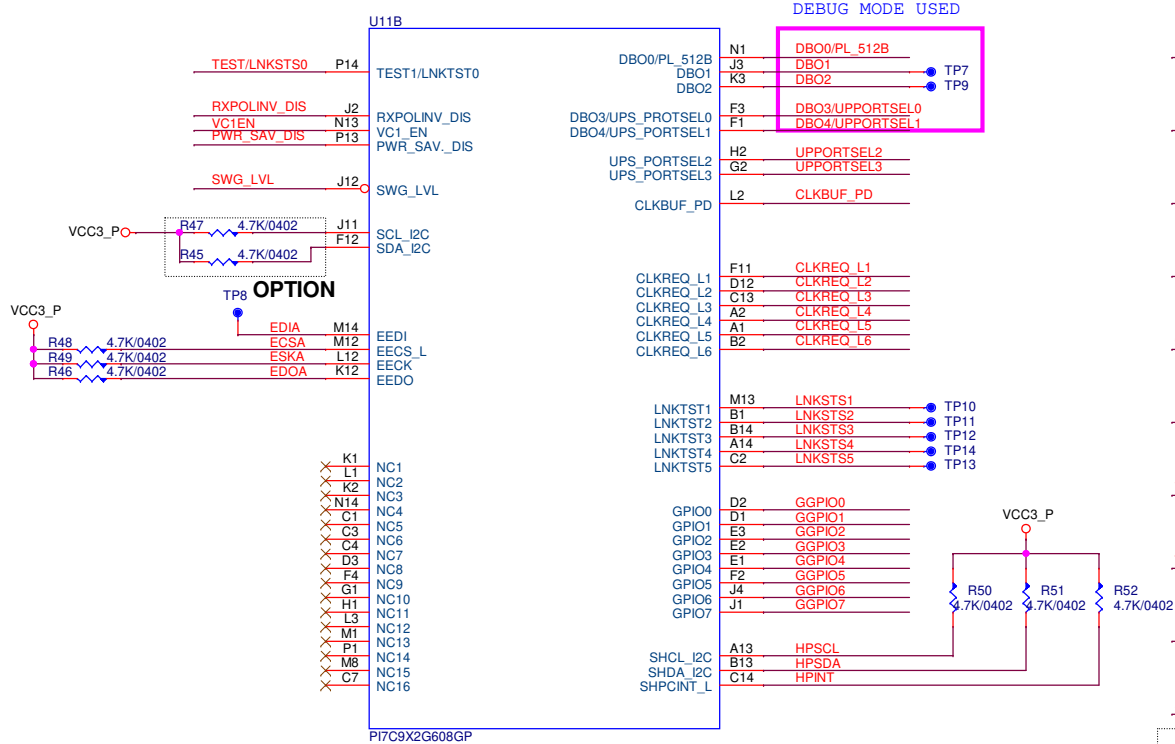
## BACK USB x2



DMP ELECTRONICS INC.

Title		
USBX4		
Size	Document Number	Rev
	DM395A	1.1
Date:	Tuesday, January 07, 2020	Sheet 5 of 17

# PCIe Bridge-1



PULL VCC3=4.7K  
PULL GND=330

X=NO MOUNT

### PORT-LANE MAPPING

GPIO[1]	GPIO[0]	Functional Mode
0	0	505 mode,5Port-5Lane Configuration
0	1	606 mode,6Port-6Lane Configuration
1	0	508 mode,5Port-8Lane Configuration

Part # PLCSEL = 606GP 01

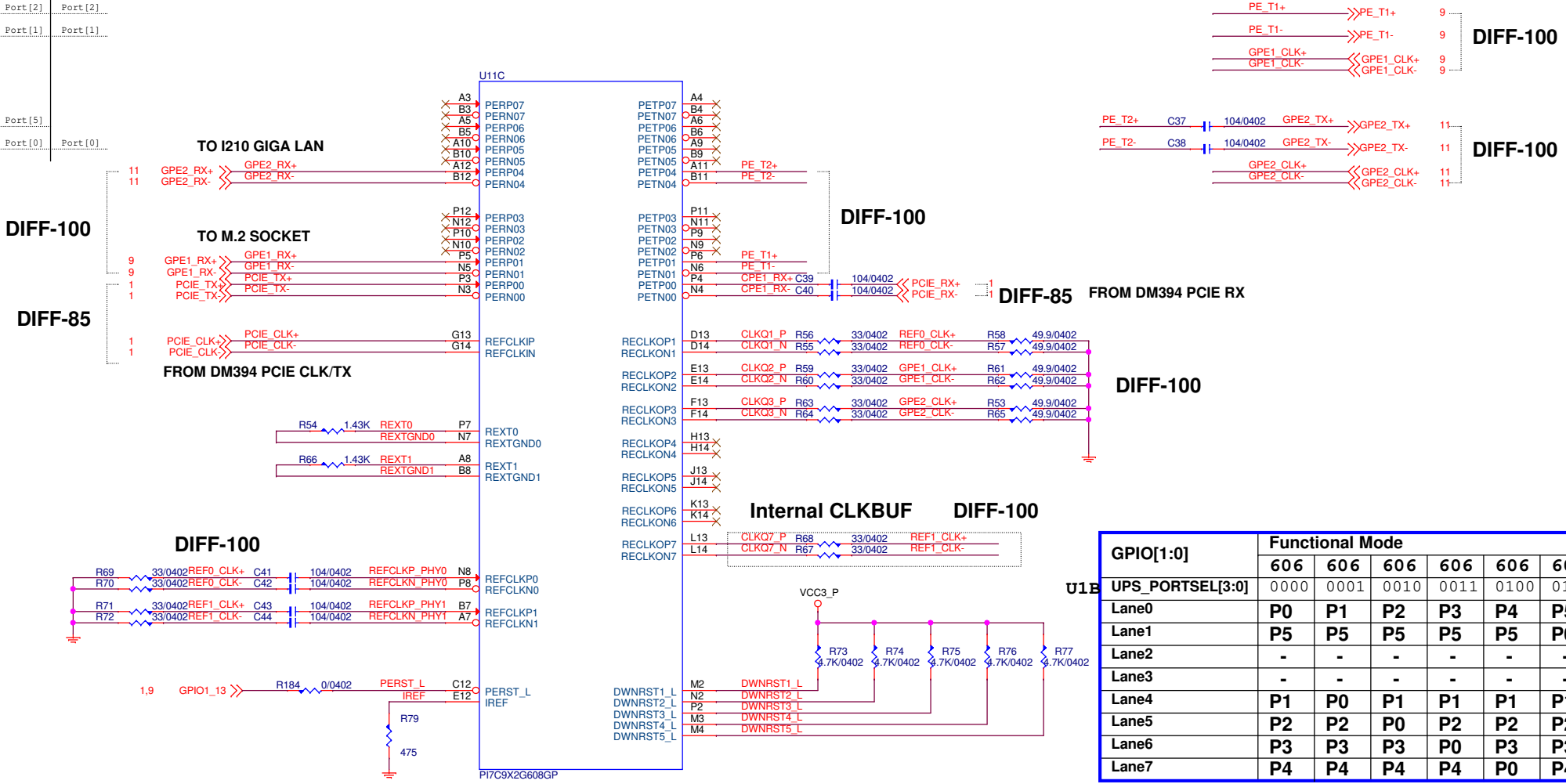
"CLKBUF\_PD" PULL GND  
=Integrated Reference Clock

## DMP ELECTRONICS INC.

Title PCIe Bridge P17C9X2G608GP		
Size	Document Number DM395A	Rev 1.1
Date:	Tuesday, January 07, 2020	Sheet 6 of 17

# PCIe Bridge-2

508	606	505
Port [4]	Port [4]	Port [4]
Port [3]	Port [3]	Port [3]
Port [2]	Port [2]	Port [2]
Port [1]	Port [1]	Port [1]
Port [0]		
Port [0]		
Port [0]	Port [5]	
Port [0]	Port [0]	Port [0]



GPIO[1:0]	Functional Mode					
	606	606	606	606	606	606
UPS_PORTSEL[3:0]	0000	0001	0010	0011	0100	0101
Lane0	P0	P1	P2	P3	P4	P5
Lane1	P5	P5	P5	P5	P5	P0
Lane2	-	-	-	-	-	-
Lane3	-	-	-	-	-	-
Lane4	P1	P0	P1	P1	P1	P1
Lane5	P2	P2	P0	P2	P2	P2
Lane6	P3	P3	P3	P0	P3	P3
Lane7	P4	P4	P4	P4	P0	P4

Note: \*  
P0:Upstream port  
P1~P5:downstream port

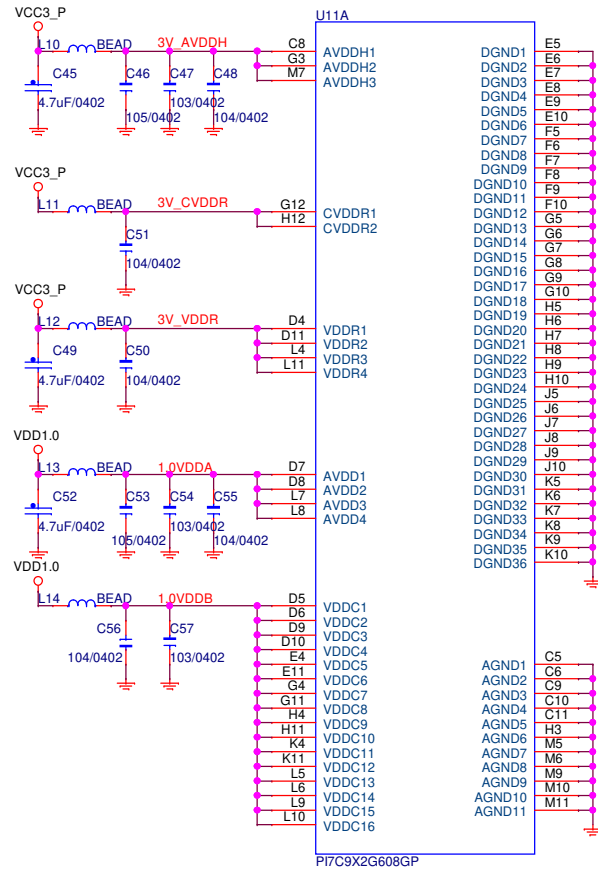
**DMP ELECTRONICS INC.**

Title: PCIe Bridge Diff Pair/CLK

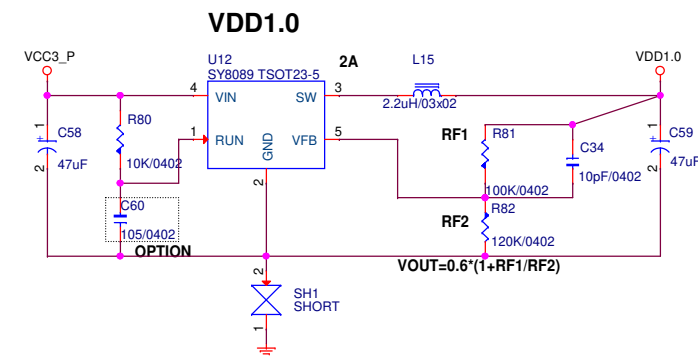
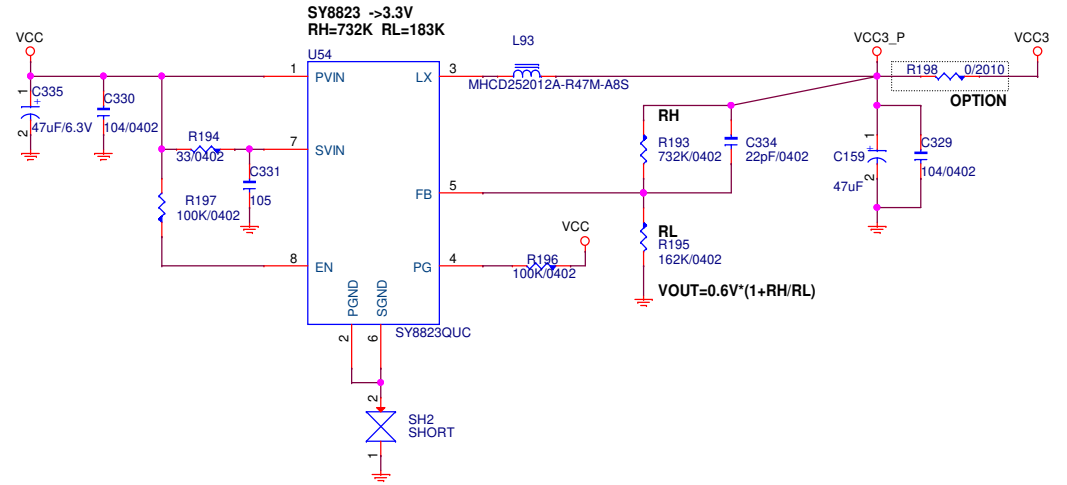
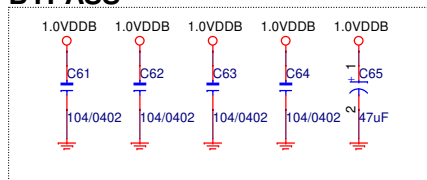
Size: Document Number DM395A | Rev: 1.1

Date: Tuesday, January 07, 2020 | Sheet: 7 of 17

# PCIe Bridge-3 Power



## BYPASS



**Power Sequence: +3.3V=>+1.0V**

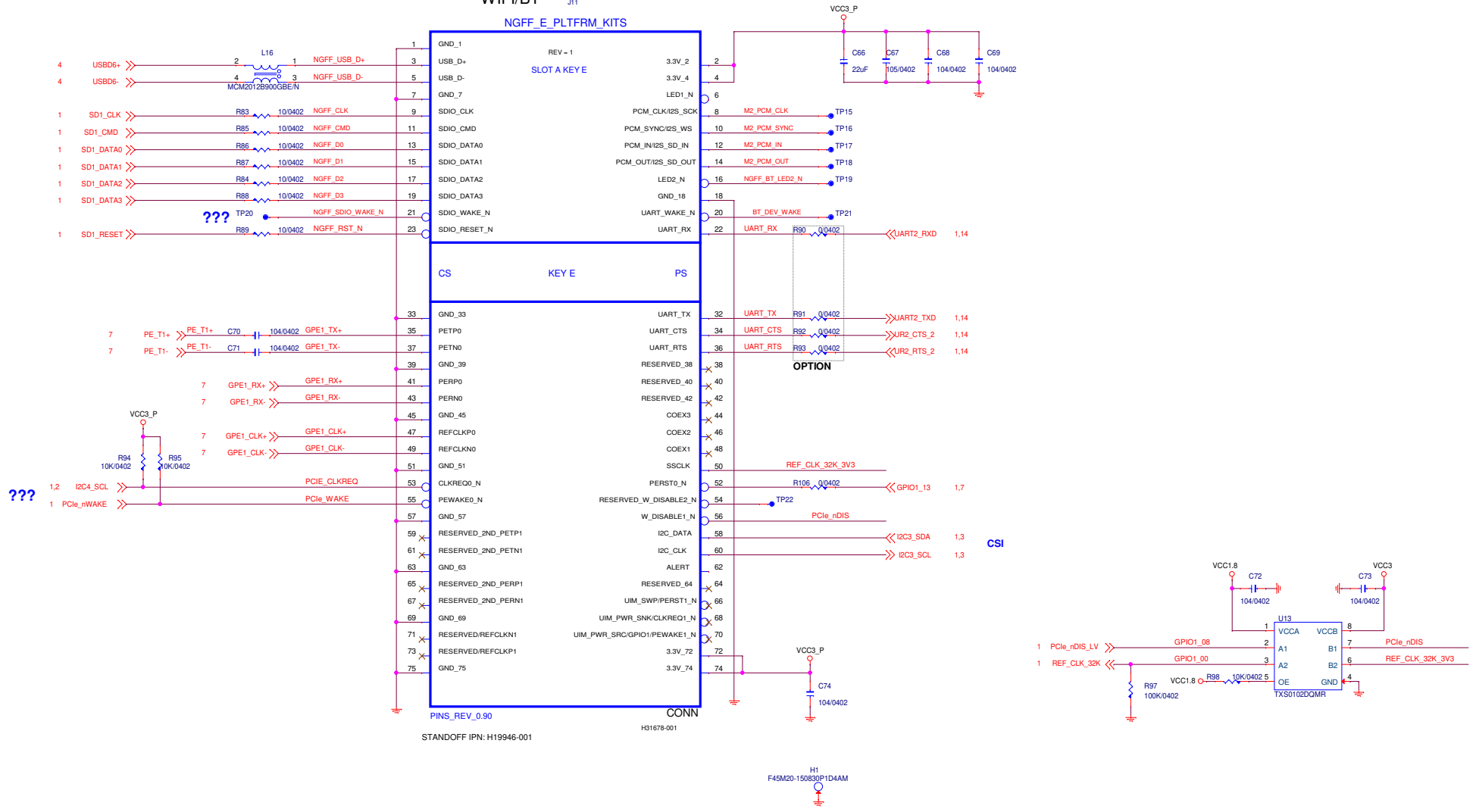
<b>DMP ELECTRONICS INC.</b>			
Title: PCIe Bridge Power			
Size:	Document Number: DM395A	Rev: 1.1	
Date:	Tuesday, January 07, 2020	Sheet:	8 of 17



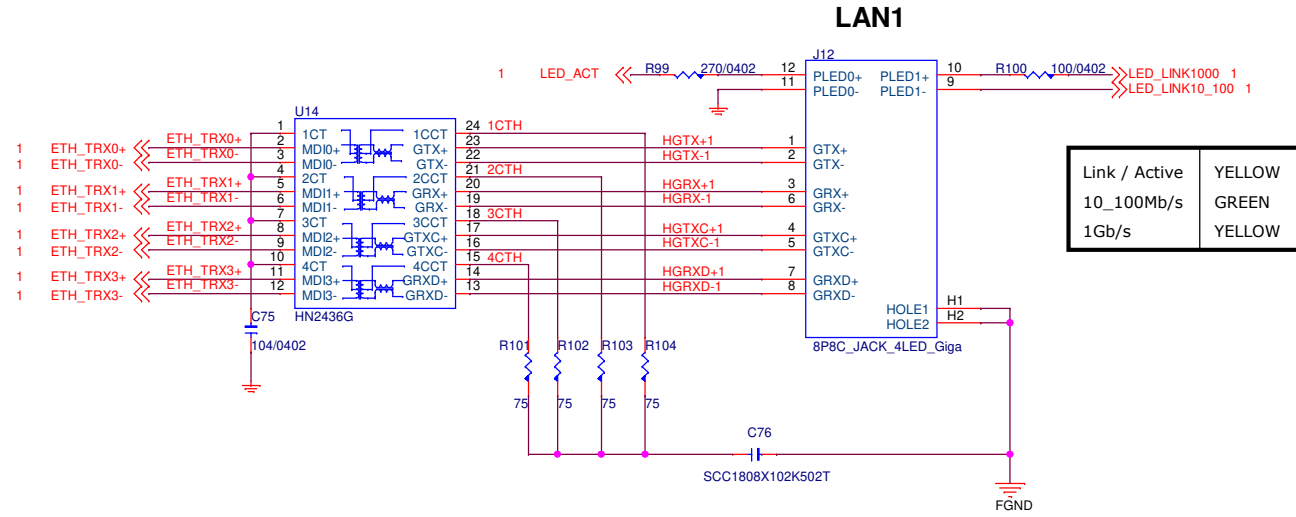
# M.2 SOCKET-1: KEY-E CONNECTOR

WIFI/BT J11

NGFF\_E\_PLTFRM\_KITS

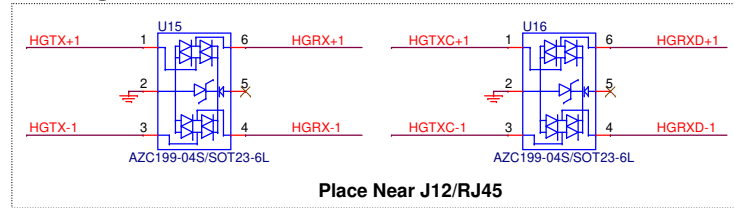


# RGMII 10/100/1000Mbps LAN-1



Link / Active	YELLOW
10_100Mb/s	GREEN
1Gb/s	YELLOW

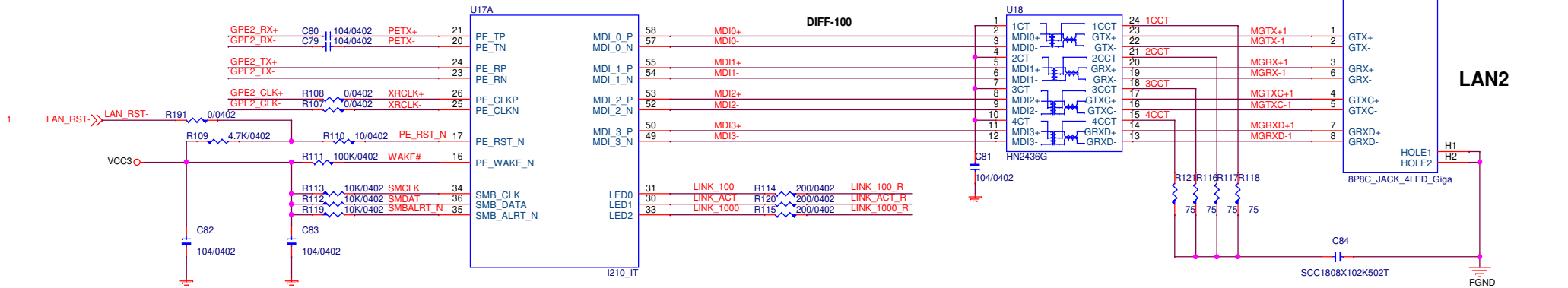
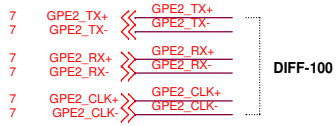
## LAN ESD



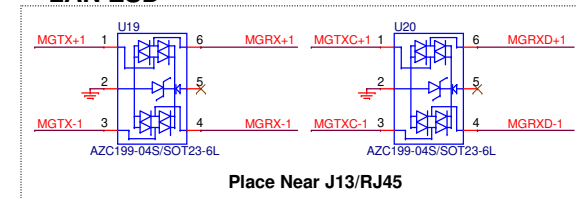
**DMP ELECTRONICS INC.**

Title			Rev
LAN1			
Size	Document Number	Rev	
	DM395A	1.1	
Date:	Tuesday, January 07, 2020	Sheet	10 of 17

# Intel I210 Giga LAN-2



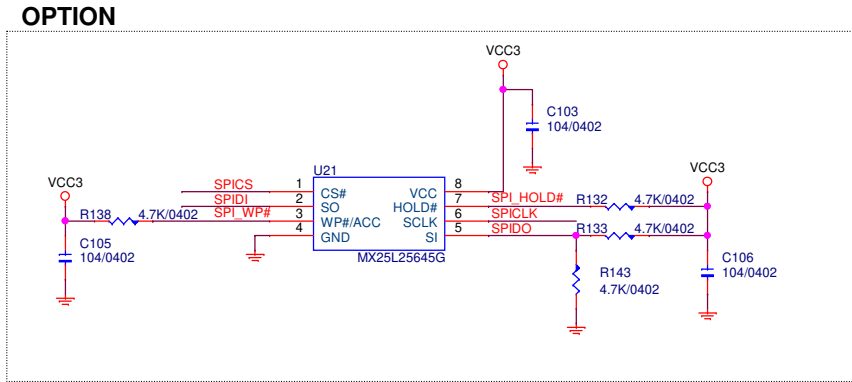
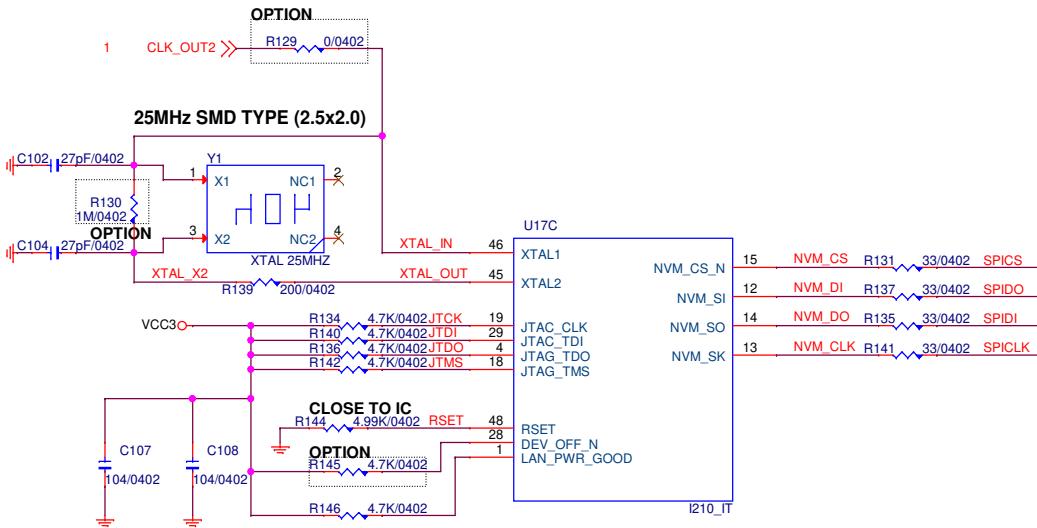
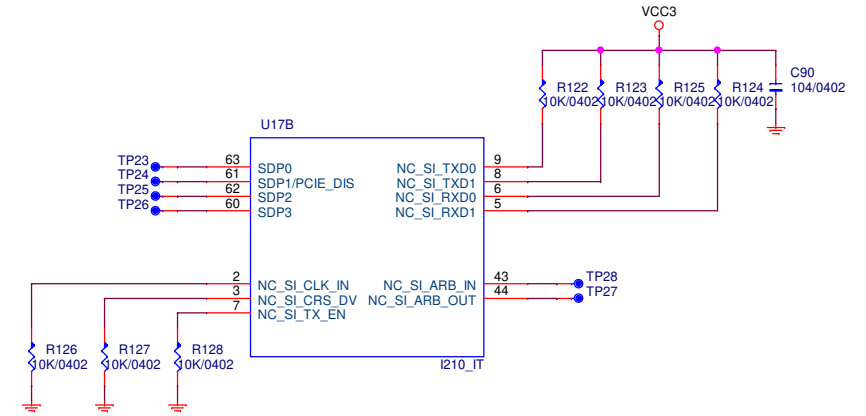
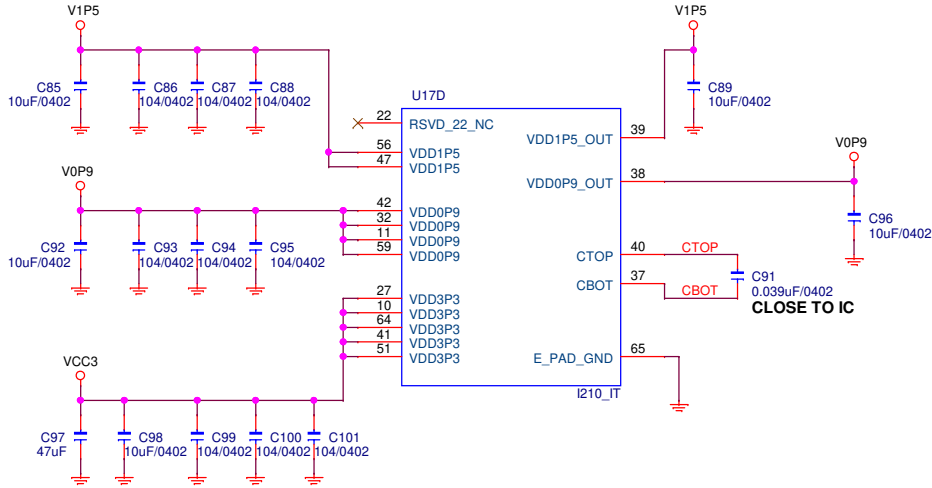
## LAN ESD



## DMP ELECTRONICS INC.

Title			Rev 1.1
LAN2 I210 GIGA LAN			
Size	Document Number		
	DM395A		
Date:	Tuesday, January 07, 2020	Sheet	11 of 17

# I210 POWER

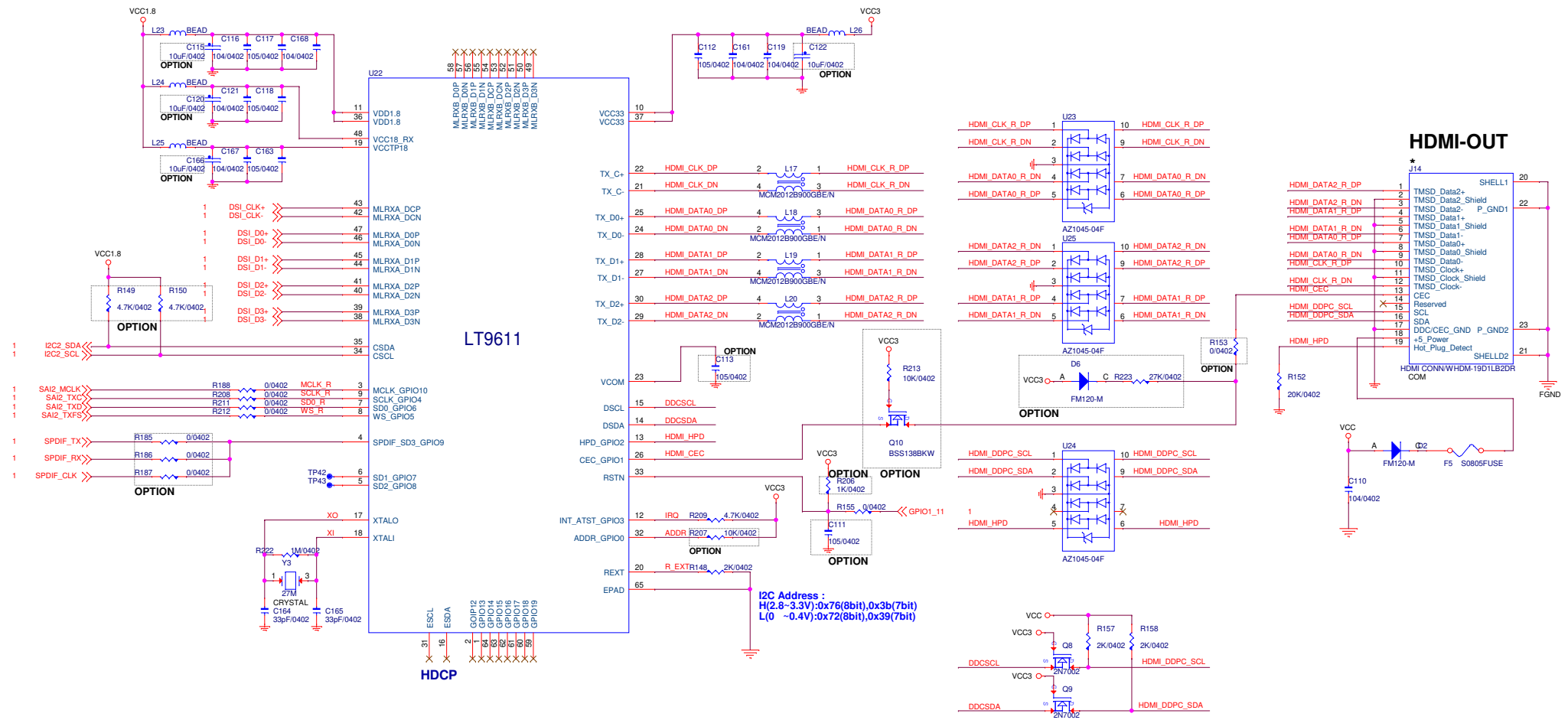


**DMP ELECTRONICS INC.**

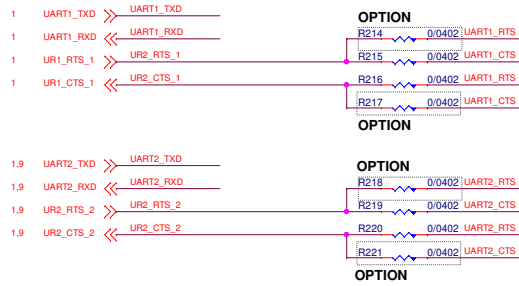


Title		
LAN2 I210 POWER		
Size	Document Number	Rev
	DM395A	1.1
Date:	Tuesday, January 07, 2020	Sheet 12 of 17

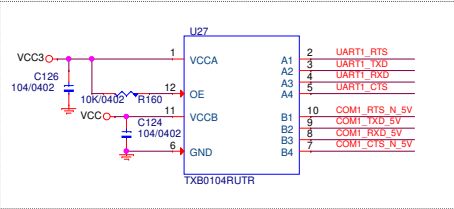
# MIPI TO HDMI CONVERTER



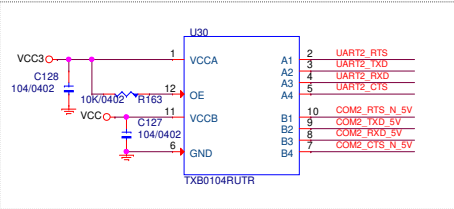
# COM1/COM2



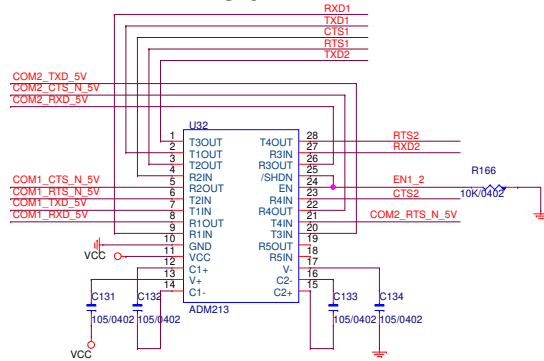
## COM1 LEVEL SHIFT



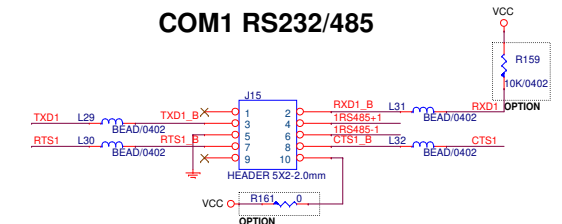
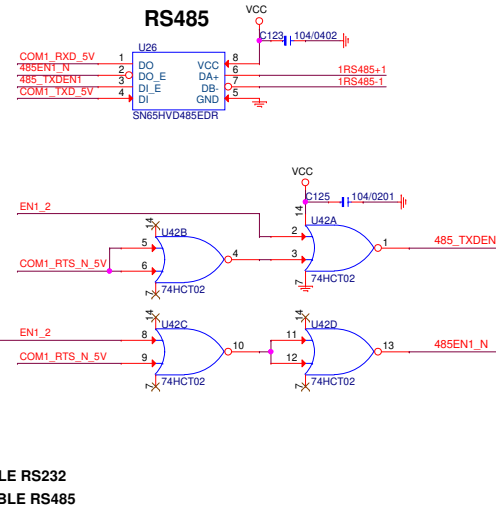
## COM2 LEVEL SHIFT



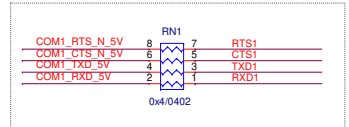
## RS232



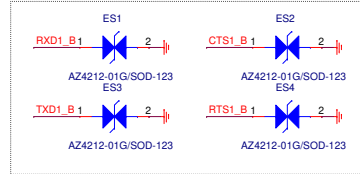
# COM1 RS232/485



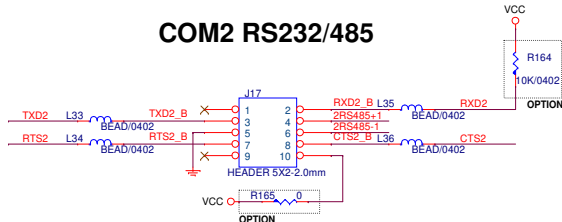
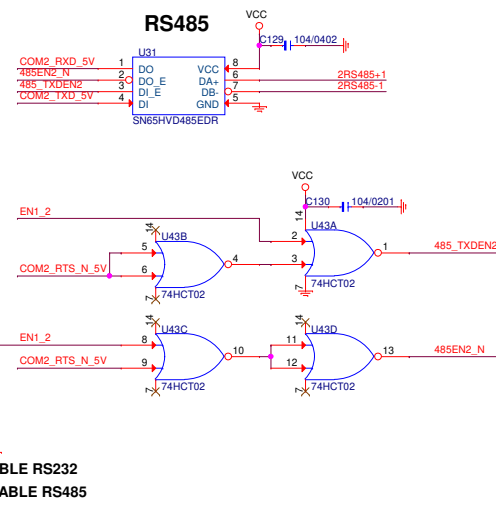
## TTL OPTION



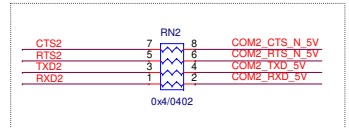
## ESD



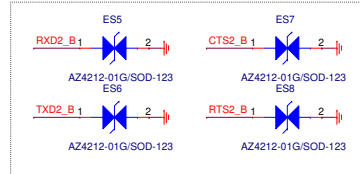
# COM2 RS232/485



## TTL OPTION



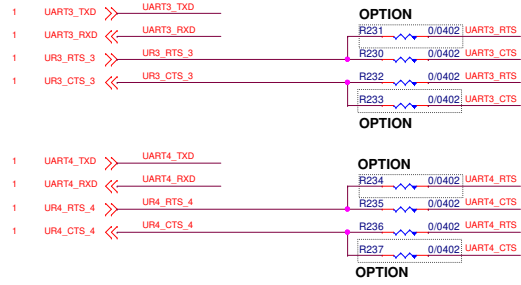
## ESD



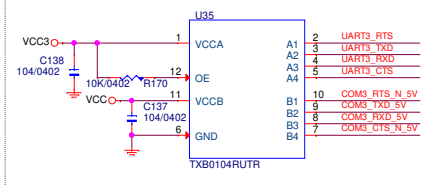
## DMP ELECTRONICS INC.

Title			COM1
Size	Document Number	DM395A	
Date:	Tuesday, January 07, 2020	Sheet	14 of 17
Rev	1.1		

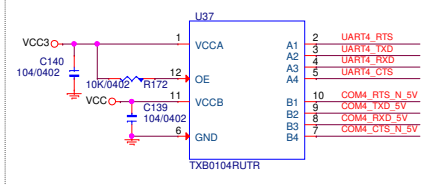
# COM3/4



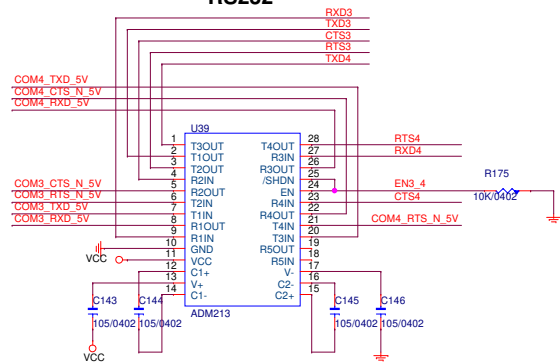
## COM3 LEVEL SHIFT



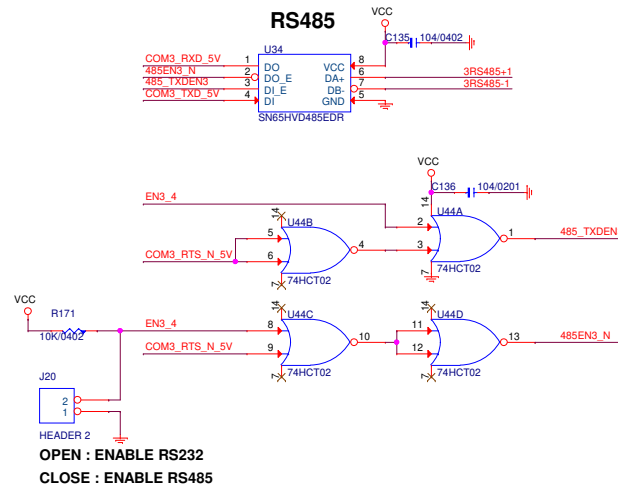
## COM4 LEVEL SHIFT



## RS232

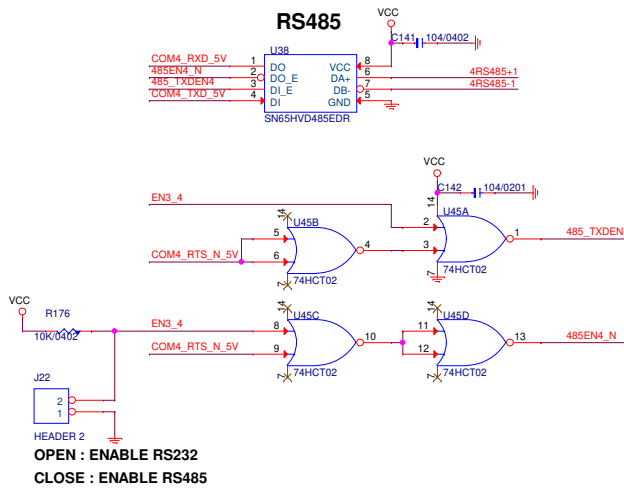


## RS485



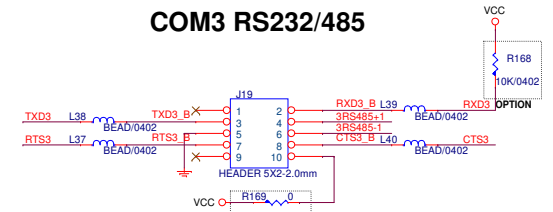
**OPEN : ENABLE RS232**  
**CLOSE : ENABLE RS485**

## RS485

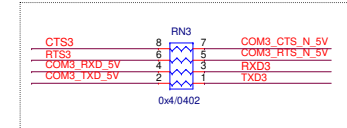


**OPEN : ENABLE RS232**  
**CLOSE : ENABLE RS485**

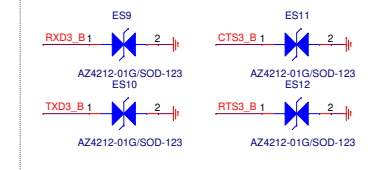
## COM3 RS232/485



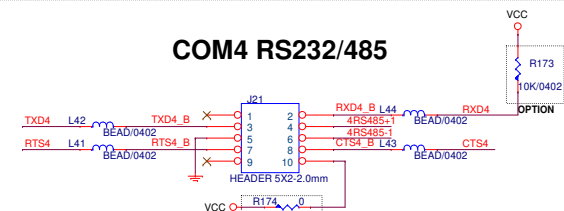
## TTL OPTION



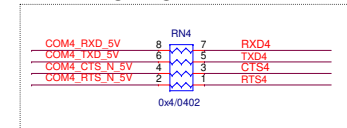
## ESD



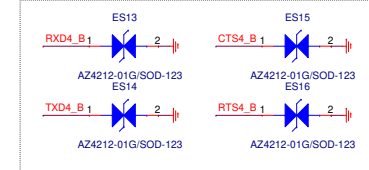
## COM4 RS232/485



## TTL OPTION



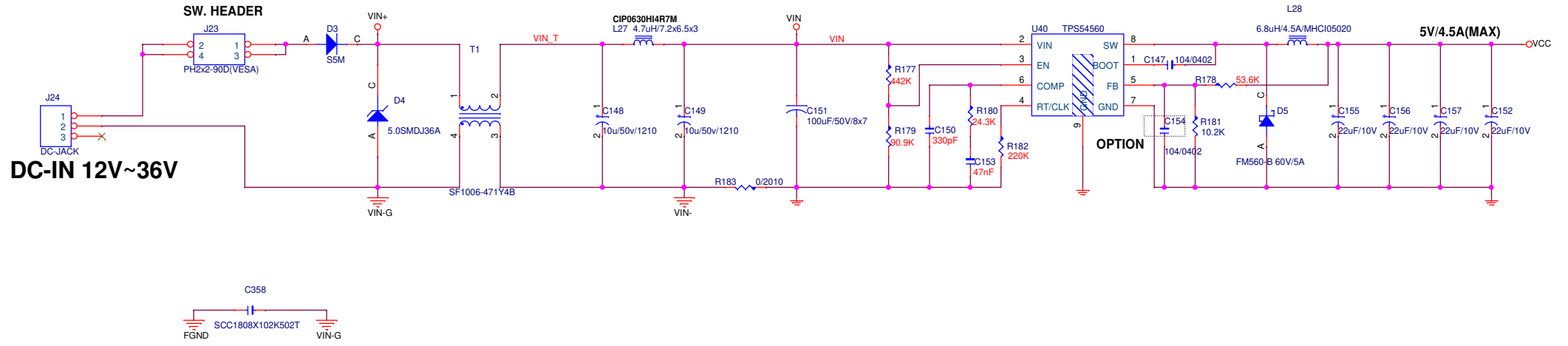
## ESD



**DMP ELECTRONICS INC.**

Title: COM1		
Size	Document Number: DM395A	Rev: 1.1
Date: Tuesday, January 07, 2020	Sheet: 15	of: 17

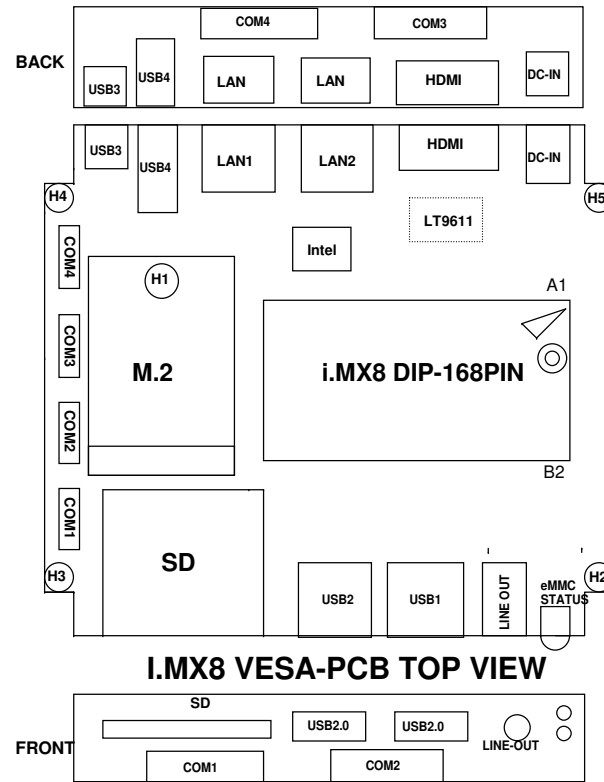
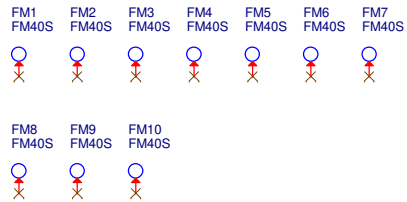
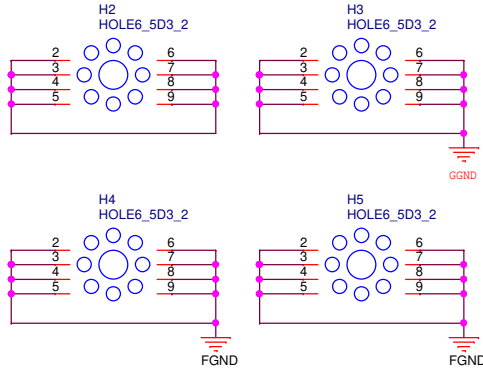
# DC POWER



<b>DMP ELECTRONICS INC.</b>		
Title DC C TO DC		
Size	Document Number DM395A	Rev 1.1
Date:	Tuesday, January 07, 2020	Sheet 16 of 17



# Placement



**DMP ELECTRONICS INC.**



Title Placement		
Size	Document Number DM395A	Rev 1.1
Date:	Tuesday, January 07, 2020	Sheet 17 of 17