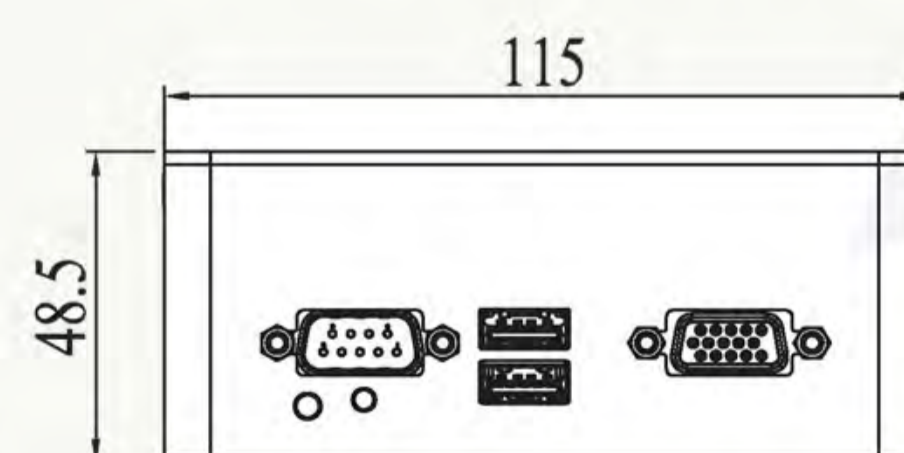
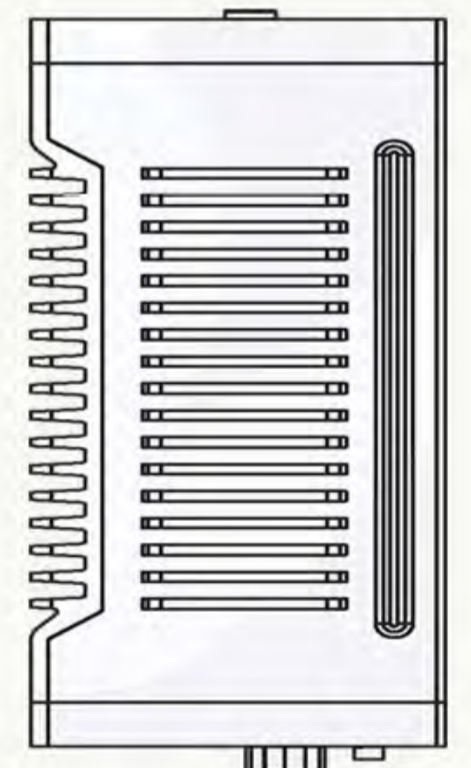
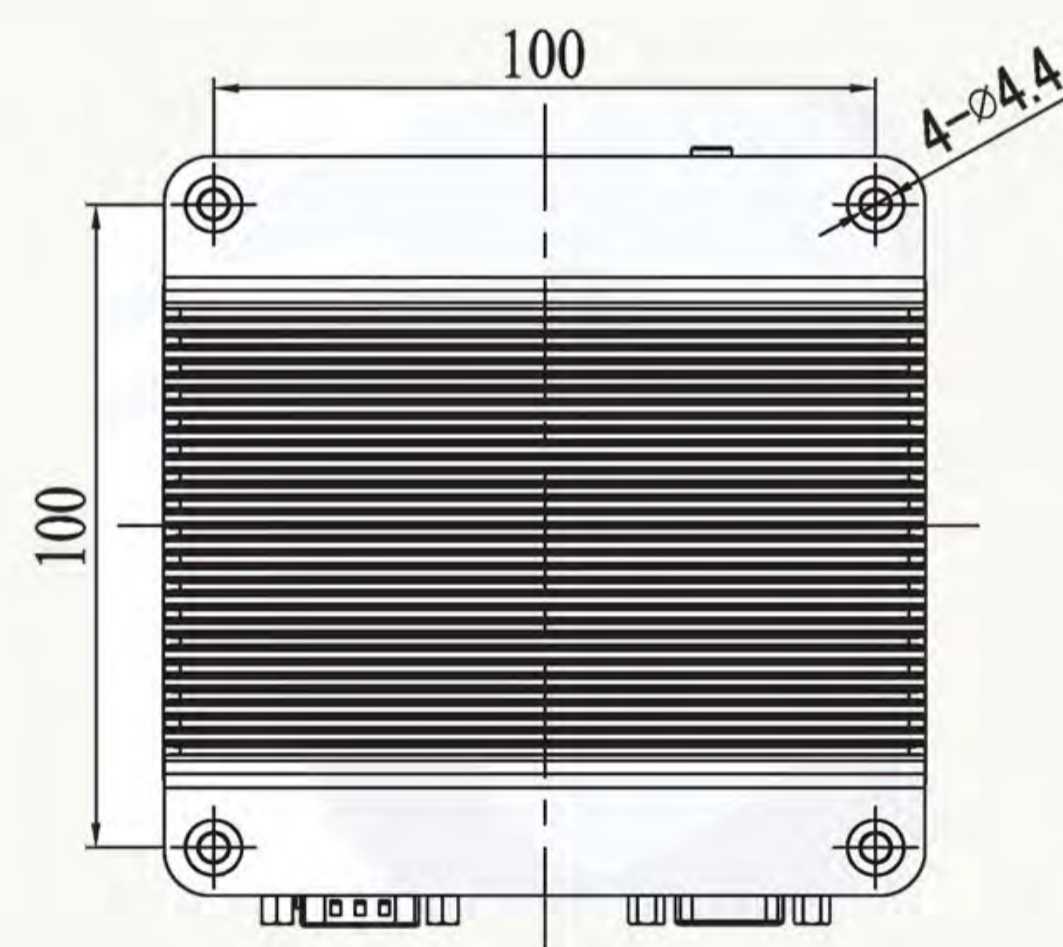
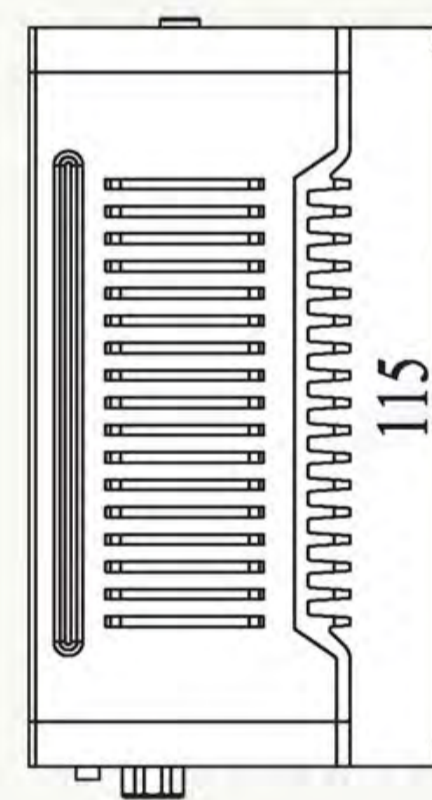
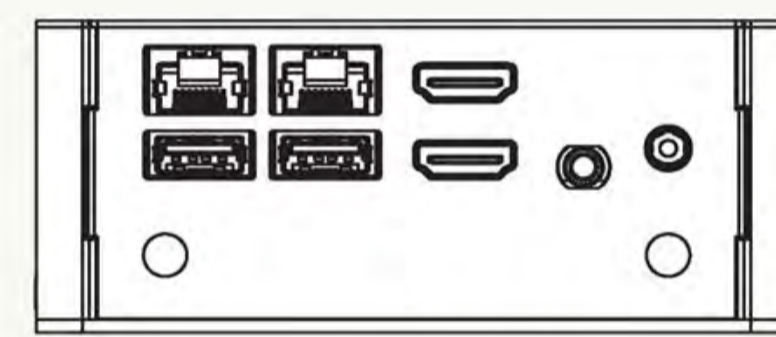


# EBOX Apollo Lake Series

Fanless PC with Intel® Apollo Lake N3350 Dual core and J3455 Quad core processor.

Support memory up to 8GB DDR3L, Multi-Display outputs, Multi-COM functions, Dual Giga LAN etc.

Perfect platform for IoT, M2M, Industry 4.0, Home Automation, Security, Public transportation and many other more.



## Features

Intel® Apollo Lake N3350 Dual Core 1.10GHz

Intel® Apollo Lake J3455 Quad Core 1.50GHz

Multi-Display, Multi-COM functions support

Fanless, 100 x 100mm VESA support

Full-size, Half-size mPCIe slot support

Auto Power On support

# EBOX-ALN3350/EBOX-ALJ3455 Series

## System Specifications

Processor	Intel® Apollo Lake N3350 Dual Core 1.10GHz, 2.40GHz (Burst)	
	Intel® Apollo Lake J3455 Quad Core 1.50GHz, 2.30GHz (Burst)	
Memory	SO-DIMM slot x1, DDR3L-1866MHz up to 8GB	
BIOS	AMI UEFI BIOS	
Expansion	Full-size MiniPCle x1 (Supports mSATA storage)	
	Half-size MiniPCle x1	
	SIM card slot (Function via Full-size MiniPCle)	
Display	Intel® HD Graphics with Multi-Display support	
	HDMI: Maximum resolution support up to 3840 x 2160 pixels	
HD Audio	Realtek ALC662VD Mic-in & Line-out	
Ethernet	Realtek 8111H GigaLAN x2 (Built-in PXE diskless boot)	
Disk Support	mSATA x1	SATA device x1
Internal I/O	4-pin wafer for SATA power output x1	SIM card holder x1
	5-pin header for SMBus x1	Full-size MiniPCle slot/mSATA x1
	USB 2.0 x2 (pin type)	Half-size MiniPCle slot x1
External I/O	HDMI V1.4 x2	USB 3.0 x4
	15-pin D-Sub connector for VGA x1	RJ45 connector for GigaLAN x2
	9-pin D-Sub connector for COM x1	Phone Jack for Line-out/MIC-in x1
	(RS-232/RS-485/RS-422/8-bit GPIO)	
Power Requirement	DC +12V~+16V	
Operating Temperature	0°C~ 60°C/-20°C~60°C (Optional)	
Dimension	115 x 115 x 48.5mm	
Mounting	VESA 100 x 100mm/DIN Rail Support (Optional)	
Net Weight	660g	
Certifications	CE, FCC, VCCI	
OS Support	Windows 10, Windows 10 IoT, Linux	

Model Type	CPU	D-Sub 9-pin I/O	Temperature
EBOX	ALN3350: Apollo Lake N3350	NR: RS-232/422/485 x1	W: -20~+60°C
	ALJ3455: Apollo Lake J3455	NRG: 8-bit GPIO x1 NRCG: RS-232/485/422 x1 & 8-bit GPIO x1 (No VGA)	None 0~60°C

